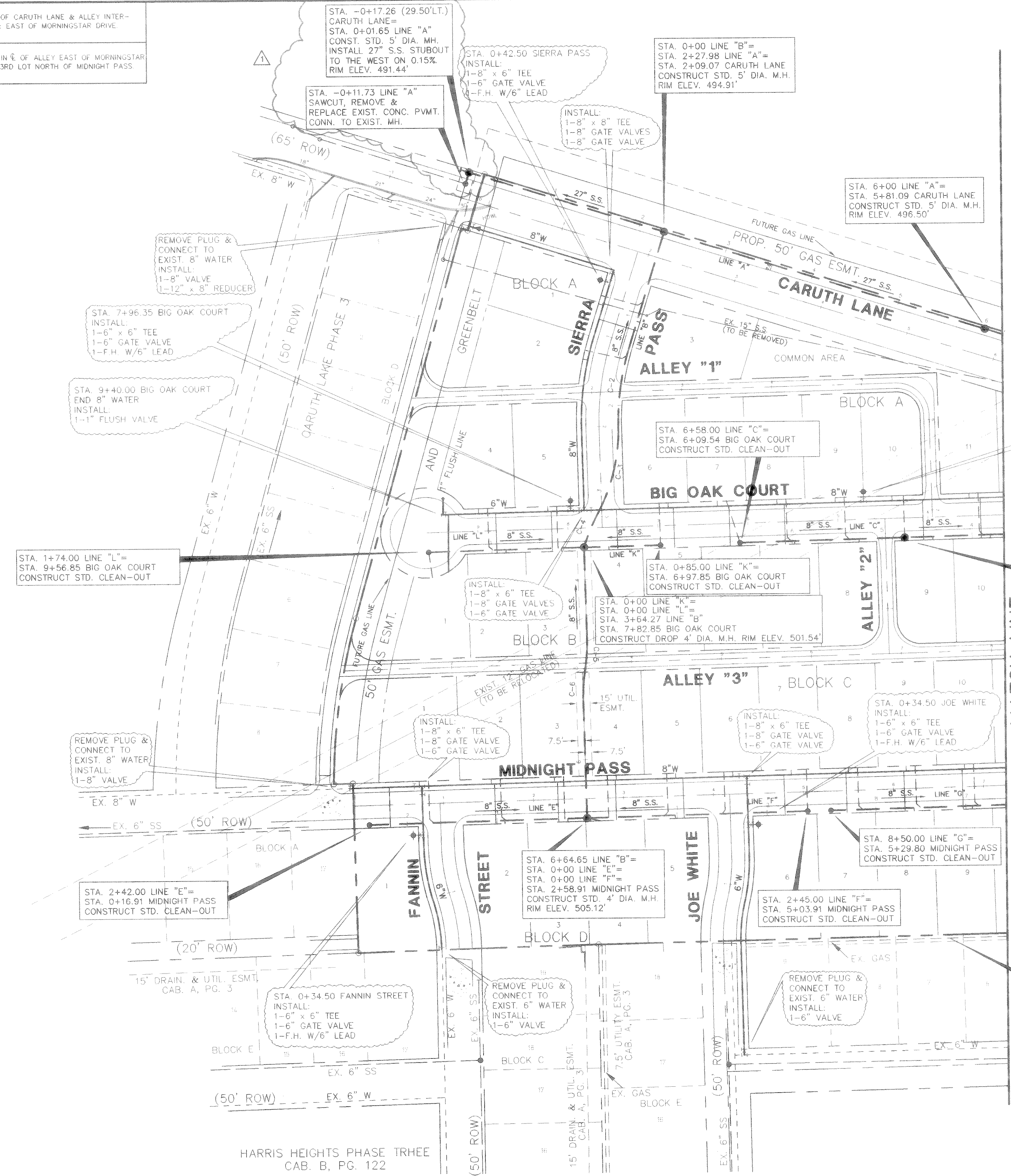
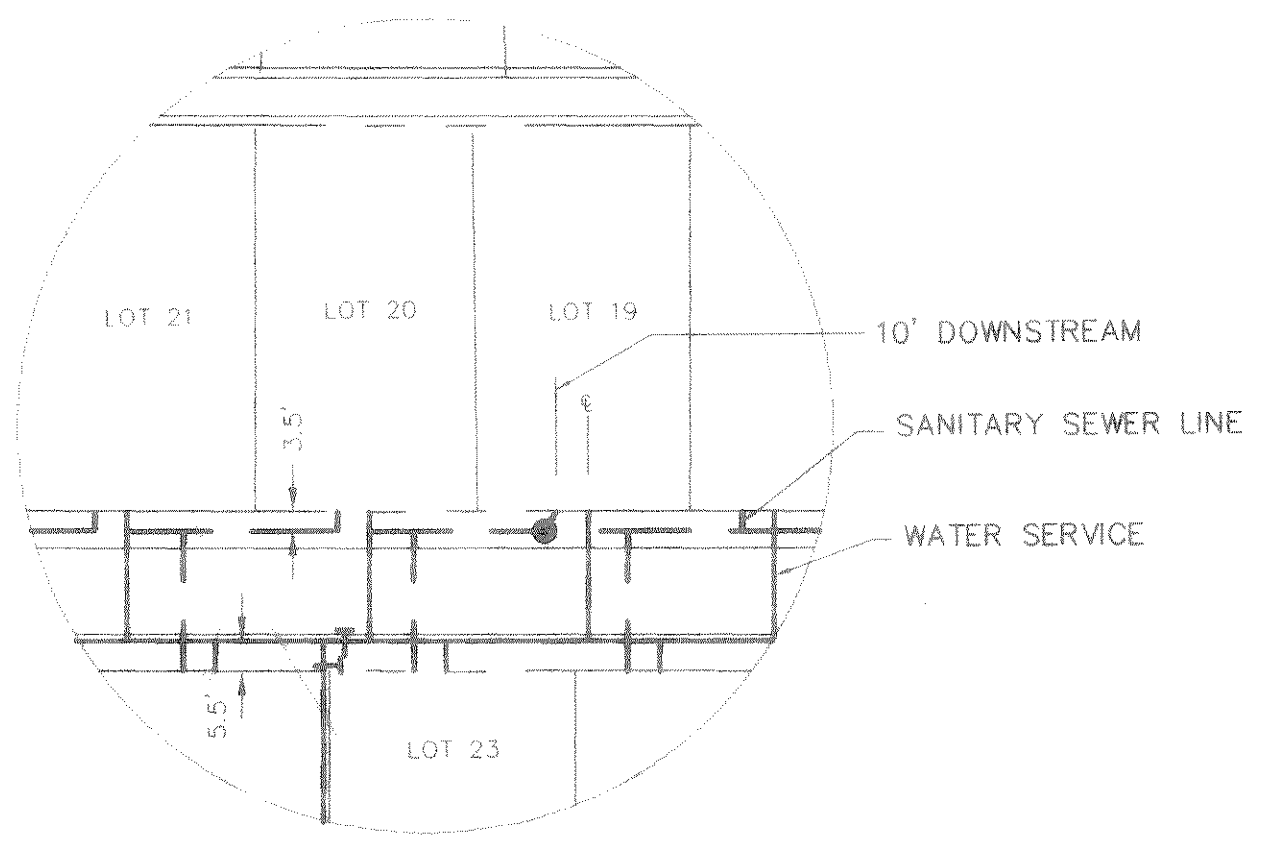
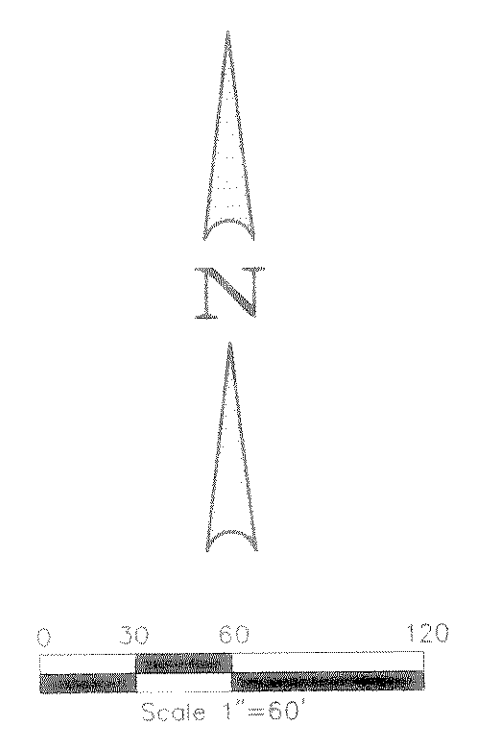


BENCHMARK:  
PK NAIL IN C OF CARUTH LANE & ALLEY INTER-SECTION 150'± EAST OF MORNINGSTAR DRIVE. ELEV. 491.68

BENCHMARK:  
"X" CHISEL IN C OF ALLEY EAST OF MORNINGSTAR DRIVE WITHIN 3RD LOT NORTH OF MIDNIGHT PASS. ELEV. 513.26



- NOTES:
1. WATER LINE LOCATED 5' BACK OF CURB.
  2. SANITARY SEWER LOCATED 7' BACK OF CURB.
  3. ALL WATER SERVICE ARE 1".
  4. ALL SEWER SERVICE ARE 4".
  5. THE EXISTING 15" & 10" SANITARY SEWER LINES SHOULD BE REMOVED AT LOCATIONS DETERMINED IN THE FIELD. ALL MANHOLES TO BE ABANDONED SHALL BE REMOVED.



SANITARY SEWER CURVE DATA

CH	RADIUS	DELTA	TANGENT	LENGTH	CHORD	BEARING	PC	PT
C-2	278.50'	18°04'02"	24.28'	67.82'	87.46'	N06°14'21"E	1+34.66	2+22.68
C-3	200.00'	29°06'38"	51.93'	101.61'	100.53'	S13°45'59"W	2+22.68	3+24.30
C-4	200.00'	11°27'04"	20.05'	39.97'	39.91'	N22°35'26"E	3+24.30	3+64.27
C-5	200.00'	10°14'23"	17.92'	35.74'	35.70'	S03°43'12"W	4+64.44	5+00.18
C-6	200.00'	10°14'23"	17.92'	35.74'	35.70'	N03°43'12"E	5+00.18	5+35.92

Winkelmann & Associates, Inc.  
CONSULTING CIVIL ENGINEERS & SURVEYORS  
12800 HILLCREST ROAD, SUITE 200  
DALLAS, TEXAS 75240  
(214) 463-7000  
(214) 463-7000 FAX

APPROVED: [Signature]  
DATE: 7/23/97  
REVISION: [Signature]  
DATE: 7/25/97  
ADDED SAN. SEWER MANHOLE & 15" LINE

CARUTH LAKE PHASE FOUR  
S.S. & WATER SERVICE SURVEY ABSTRACT NO. 146  
M.B. JOHNS SURVEY ABSTRACT NO. 123  
CITY OF ROCKWALL, TEXAS  
ROCKWALL COUNTY, TEXAS  
LUMBERMEN'S INVESTMENT CORPORATION  
5465 BELTLINE ROAD, SUITE 225  
DALLAS, TEXAS 75240

**WATER AND SANITARY SEWER PLAN**

Scale: 1" = 60'  
Date: 7/23/97  
Designed By: R.B./K.G.  
Drawn By: R.B./K.G.  
Checked By: F.E.M.  
File: 14633/WAL/DWG  
Project No.: 14633.01

ASBULT  
Winkelmann & Associates, Inc. hereby states that this plan, to the best of our knowledge is "As Built." Modifications from the originally approved construction documents have been made as per information provided by the contractor. Winkelmann & Associates, Inc. does not certify as to the correctness or quality of construction as no field inspection was performed.  
[Signature]  
WINKELMANN & ASSOCIATES, INC.  
DATE: 7-30-98