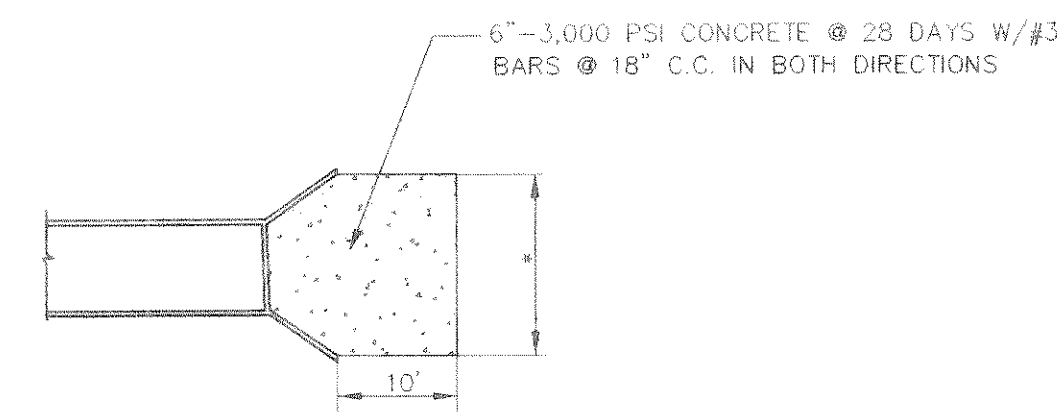


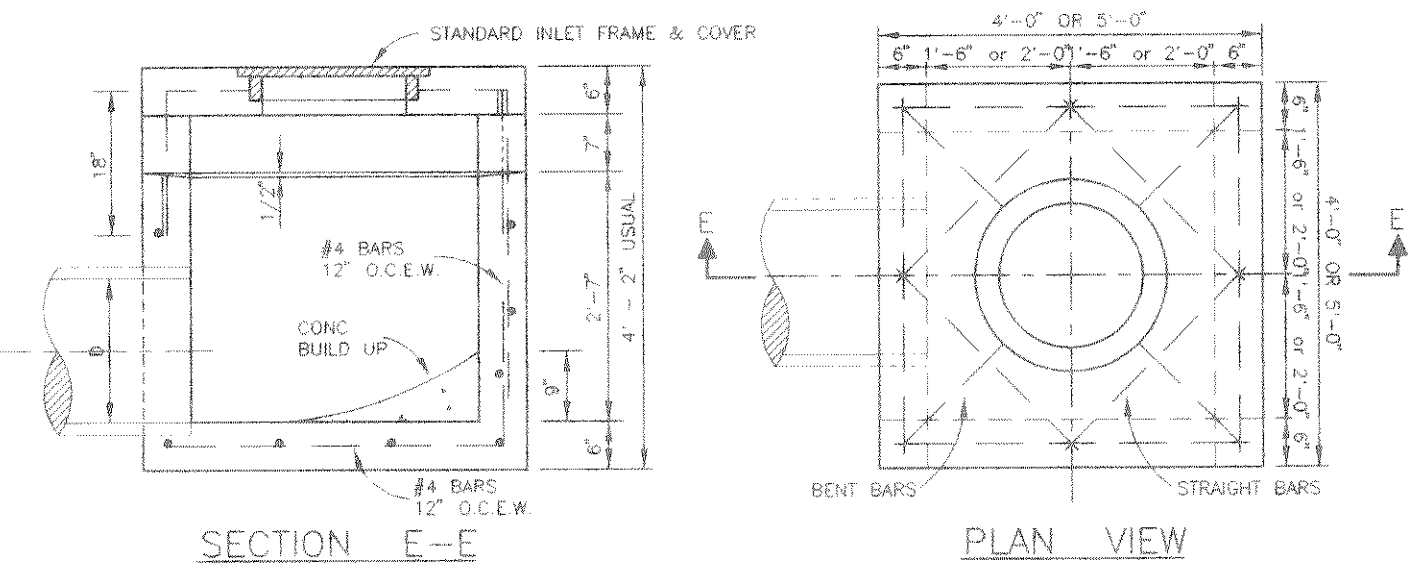
STORM SEWER CURVE DATA

CURVE	RADIUS	DELTA	TANGENT	LENGTH
C-1	60.000	90°00'00"	60.000	94.246
C-2	300.000	16°22'17"	43.155	85.720
C-3	200.000	17°14'20"	30.316	60.174
C-4	300.000	09°00'41"	23.640	47.182

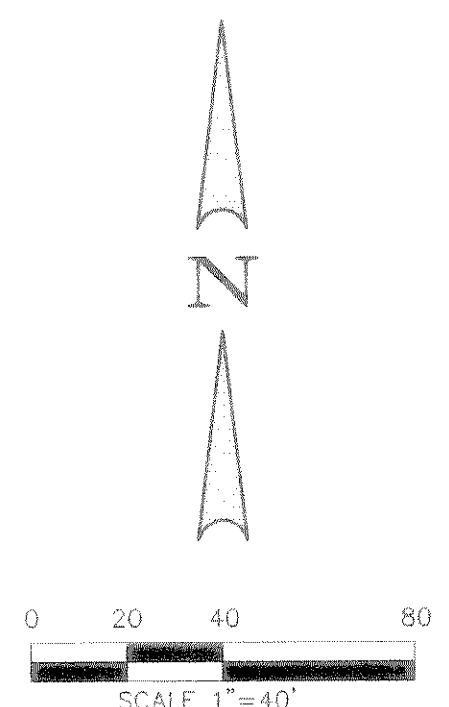


* DIMENSION BASED ON SIZE OF HEADWALL

TYPICAL CONC. RIP-RAP DETAIL
N.T.S.



STANDARD DROP INLET
N.T.S.



No.	DATE	REVISION	APPROV.

Winkelmann & Associates, Inc.
CONSULTING CIVIL ENGINEERS & SURVEYORS
1500 INDEPENDENT CENTER DR.
DALLAS, TEXAS 75207
(214) 465-7888 FAX

CARUTH LANE PHASE FOUR
S.S. McCURRY SURVEY, ABSTRACT NO. 146
M.E. JONES & COMPANY, CONTRACT NO. 122
ROCKWALL COUNTY, TEXAS

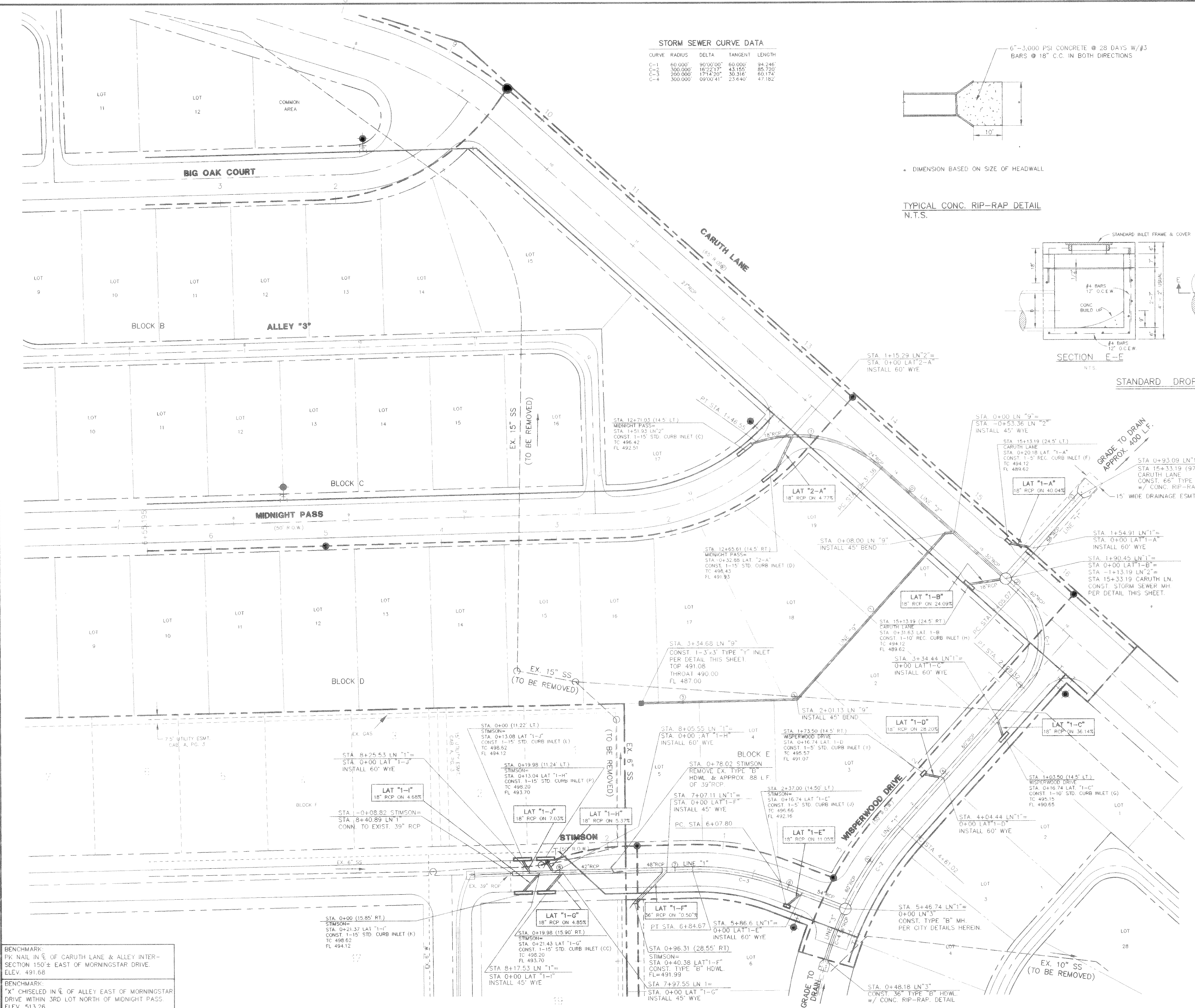
LUMBERMEN'S INVESTMENT CORPORATION
SHARON L. WATSON, P.E.
DALLAS, TEXAS 75208

**STORM SEWER PLAN
LINES 1, 2, & 3**

Scale: 1" = 40' Date: 5.9.97
Designed By: K.G.
Drawn By: MK
Checked By: F.E.M.
File: 14633ST4.DWG
Project No.: 14633.01(2)

**SHEET
14
OF
29**

ASBUILT
Winkelmann & Associates, Inc. hereby states that this plan, to the best of our knowledge is "As Built." Modifications from the originally approved construction documents have been made as per information provided by the contractor. Winkelmann & Associates, Inc. does not carry as to the correctness or quality of construction as no field inspection was performed.
[Signature]
WINKELMANN & ASSOCIATES, INC. 5.30.98 DATE



BENCHMARK:
PK NAIL IN E.C. OF CARUTH LANE & ALLEY INTER-SECTION 150± EAST OF MORNINGSTAR DRIVE. ELEV. 491.66

BENCHMARK:
"X" CHISELED IN E.C. OF ALLEY EAST OF MORNINGSTAR DRIVE WITHIN 3RD LOT NORTH OF MIDNIGHT PASS. ELEV. 513.26