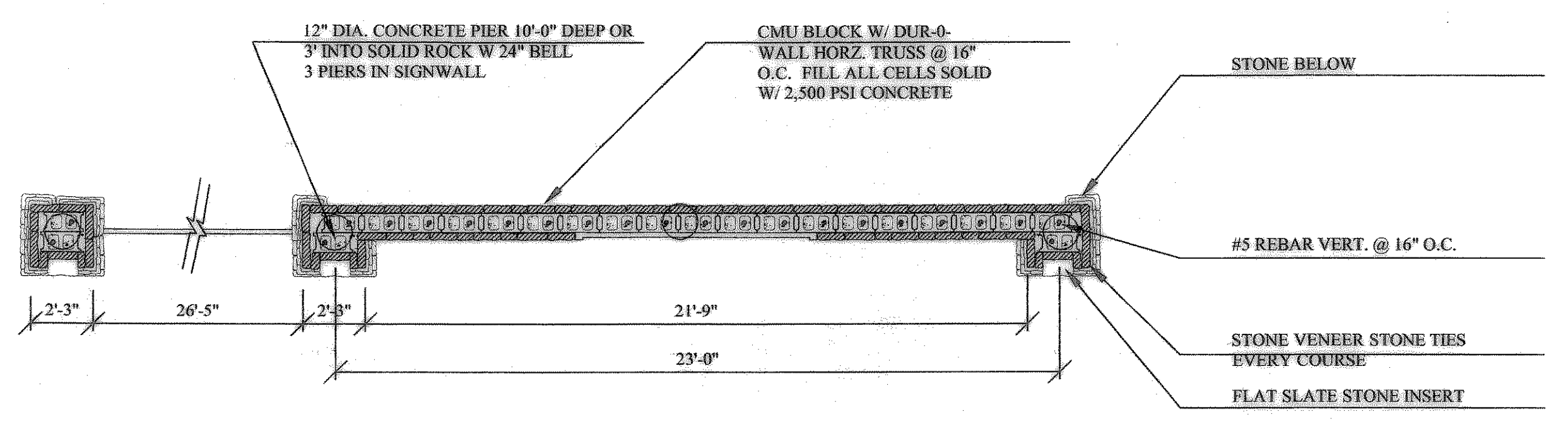
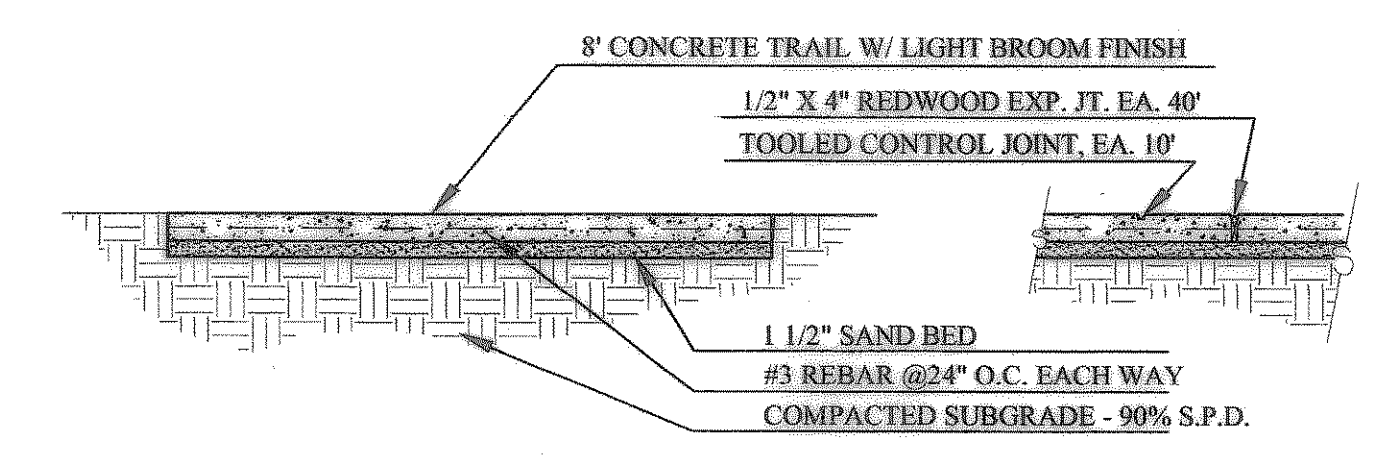


A TYPICAL ENTRY WALL
SCALE: 1/2"=1'-0"

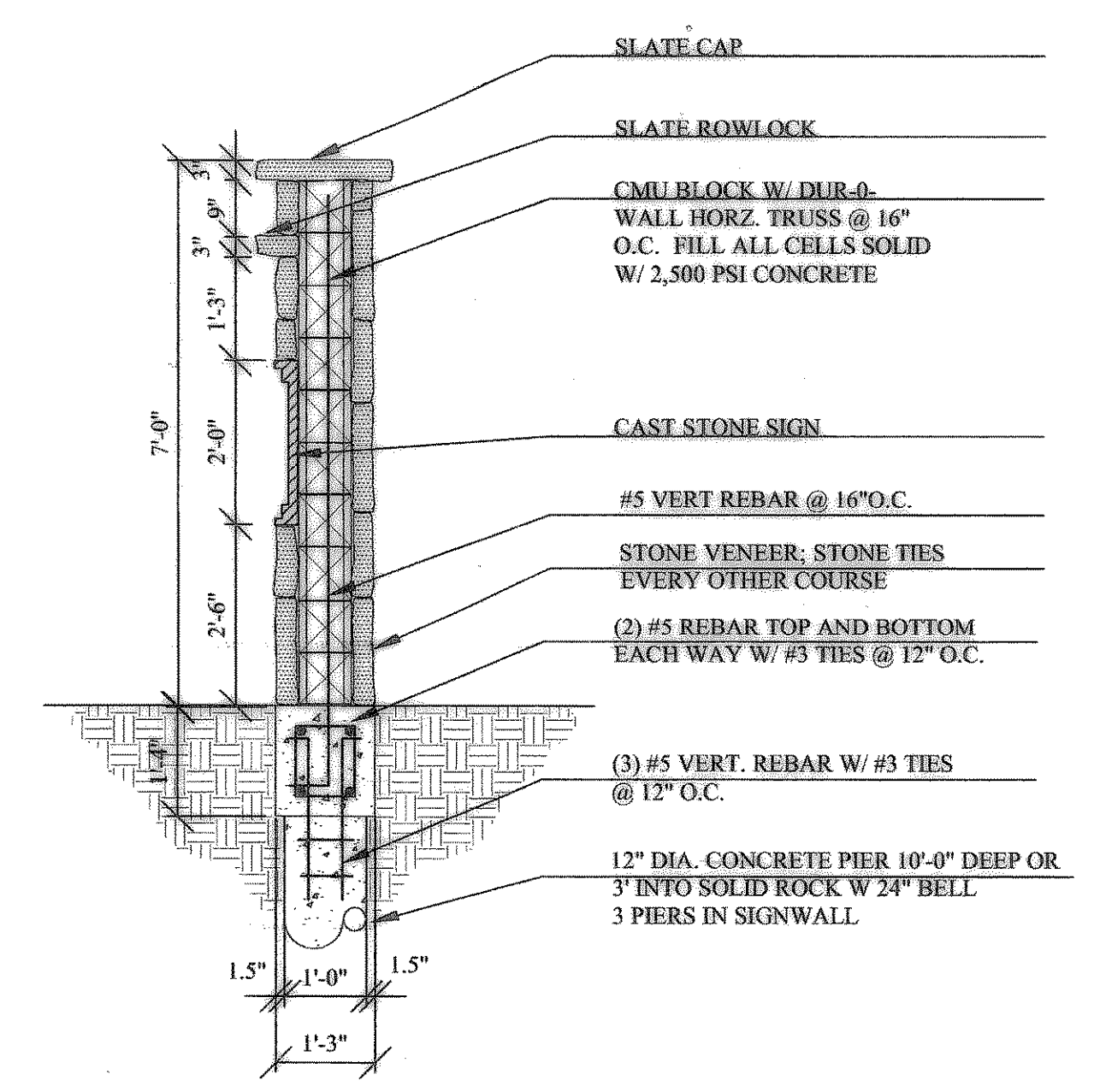
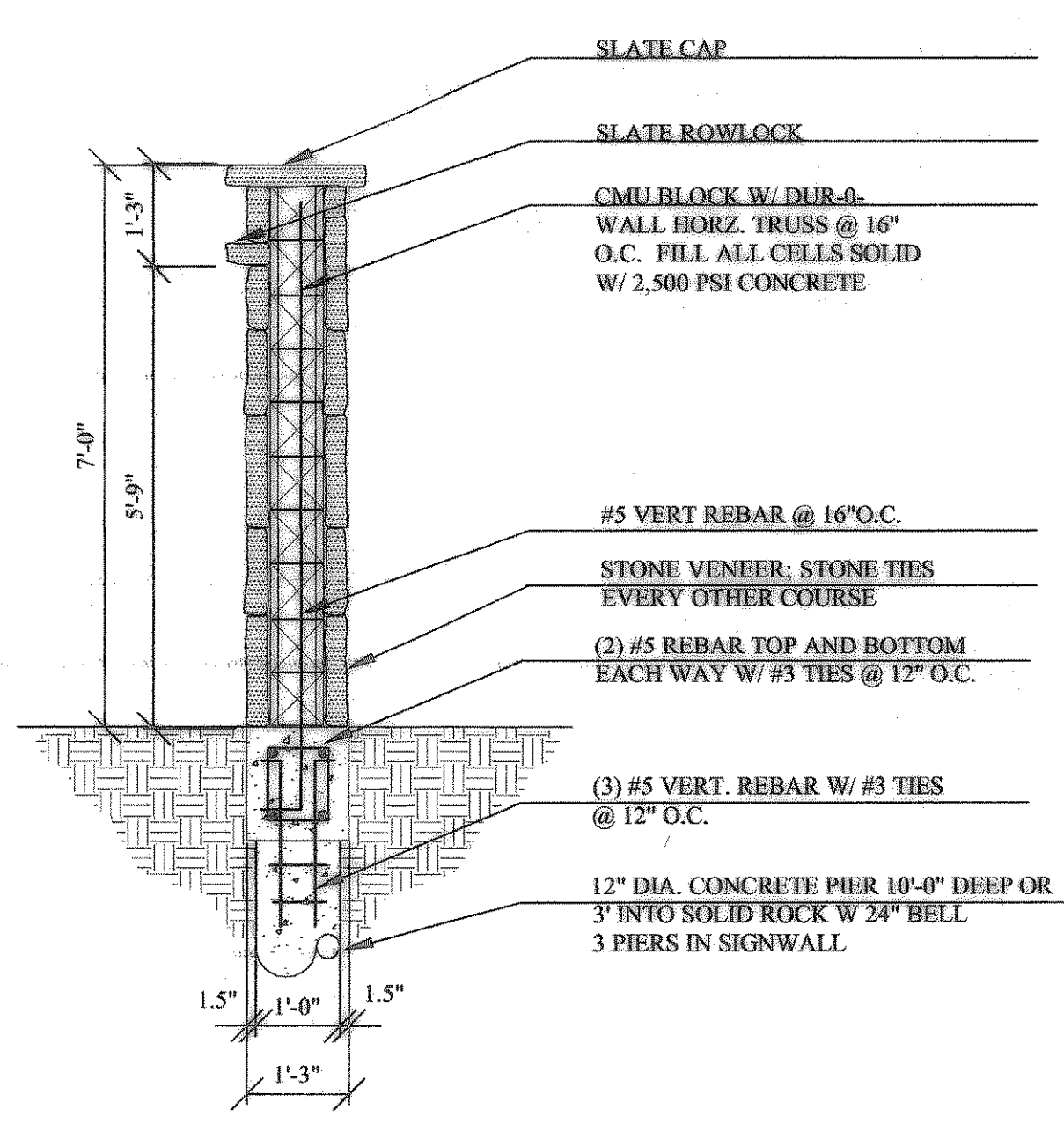


ALL BRICK WALLS WILL BE BUILT IN THE FIELD. NO PRE-CAST WALLS WILL BE USED.

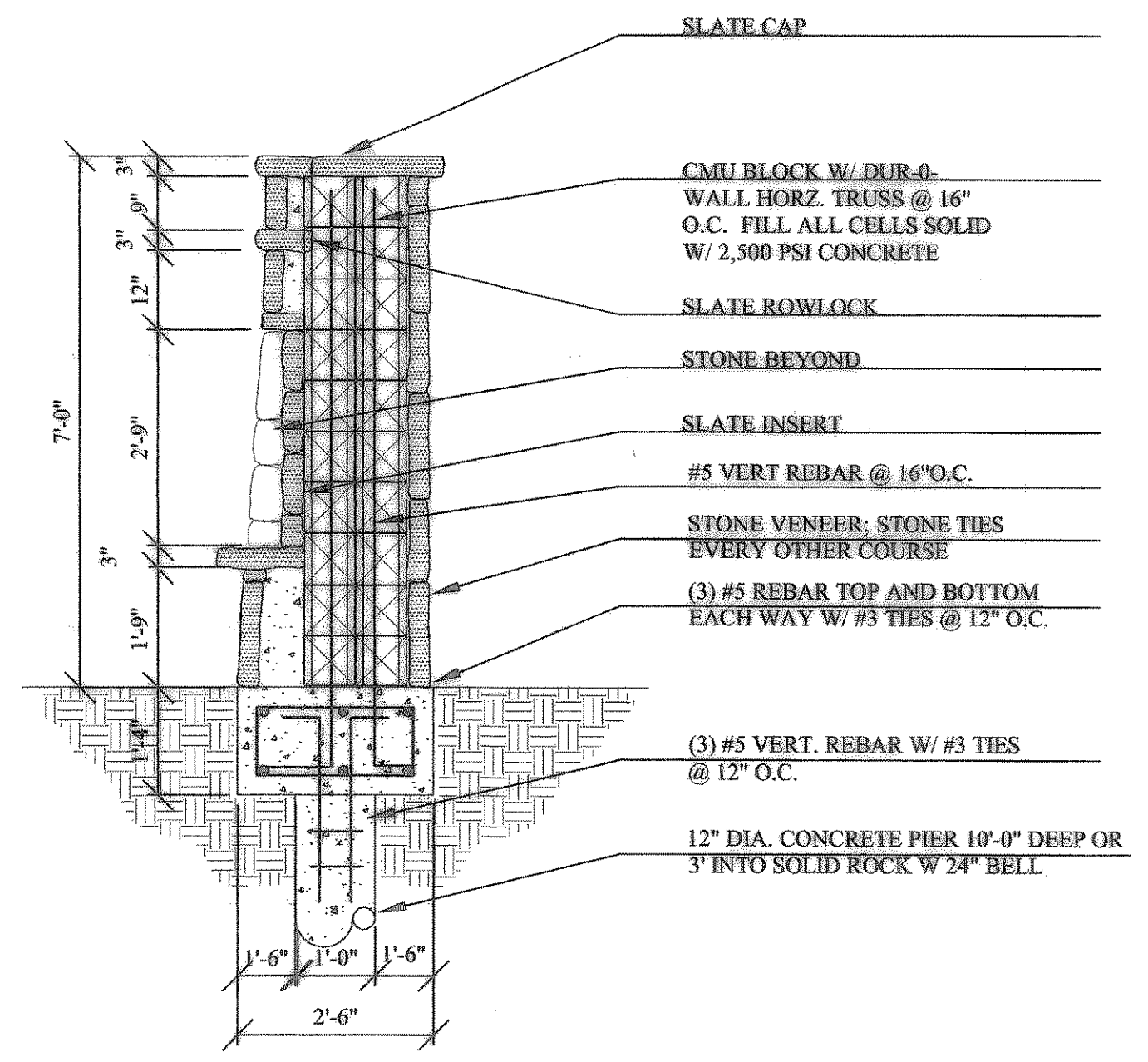


F SIDEWALK DETAIL
SCALE: 1/2"=1'-0"

B ENTRY WALL SECTION
SCALE: 1/4"=1'-0"



D ENTRY WALL SECTION
SCALE: 1/2"=1'-0"



E ENTRY WALL SECTION
SCALE: 1/2"=1'-0"

Caruth Lakes
Phase I
Rockwall, Texas

PROJECT NUMBER

DRAWN BY:

CHECKED BY: RGB

DATE PREPARED
08-05-03

DATE REVISED

12-10-03
04-24-04
08-01-05
10-10-05

Sheet Title
Construction
Details

Sheet Number
LC-01

C ENTRY WALL SECTION
SCALE: 1/2"=1'-0"