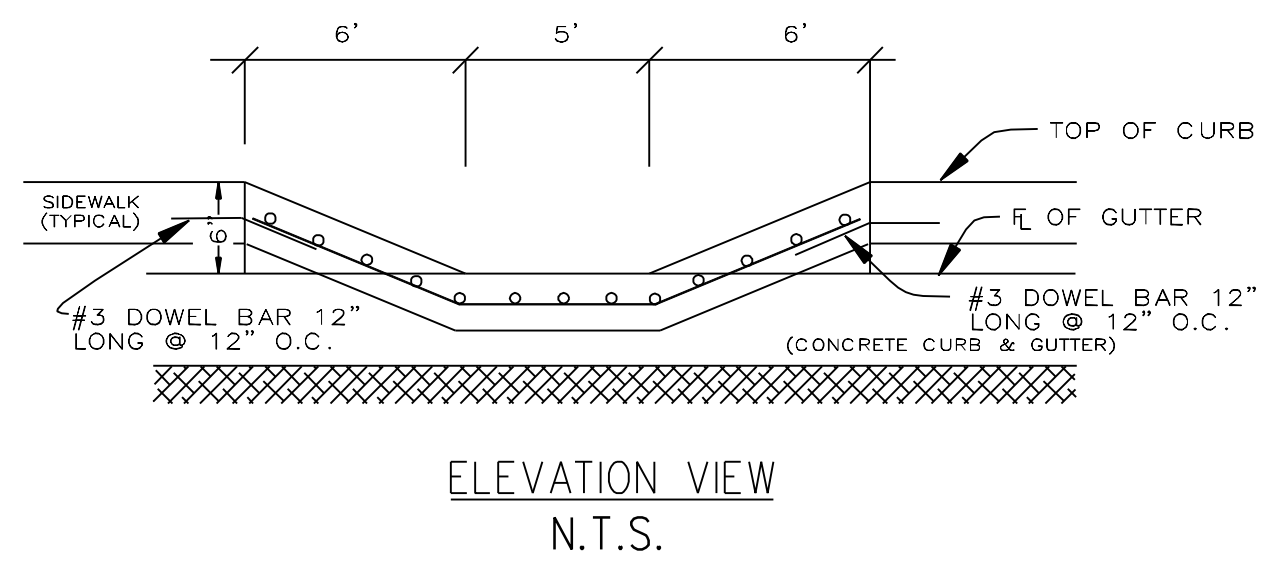
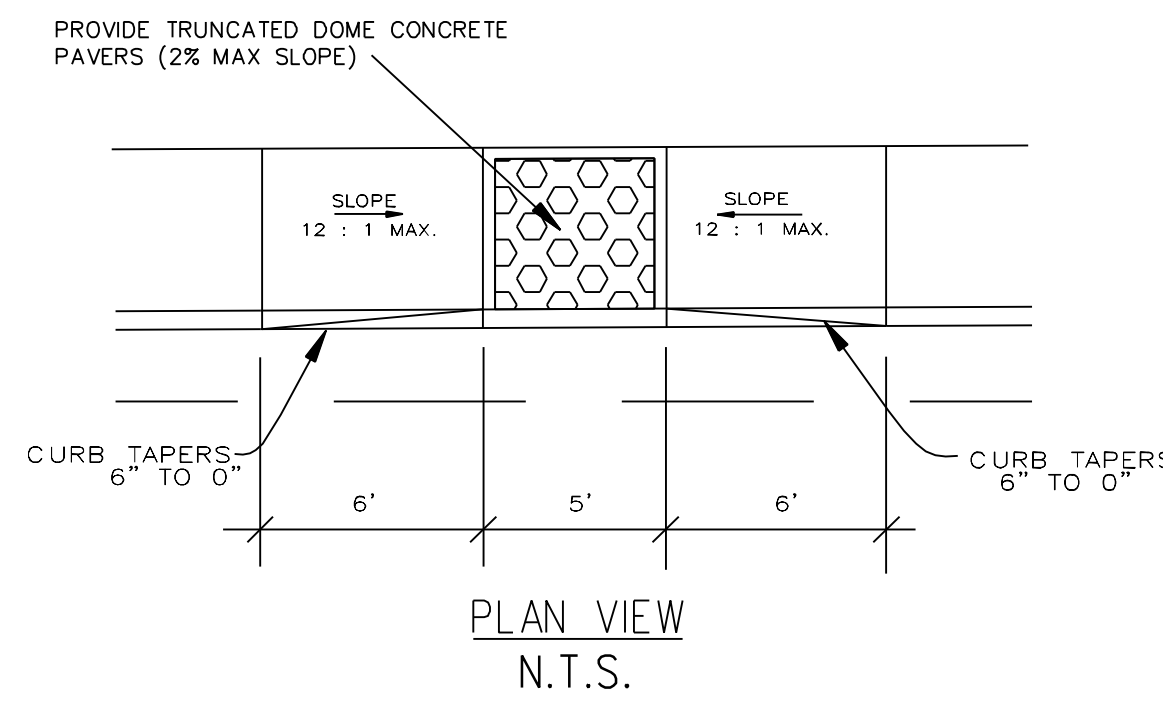


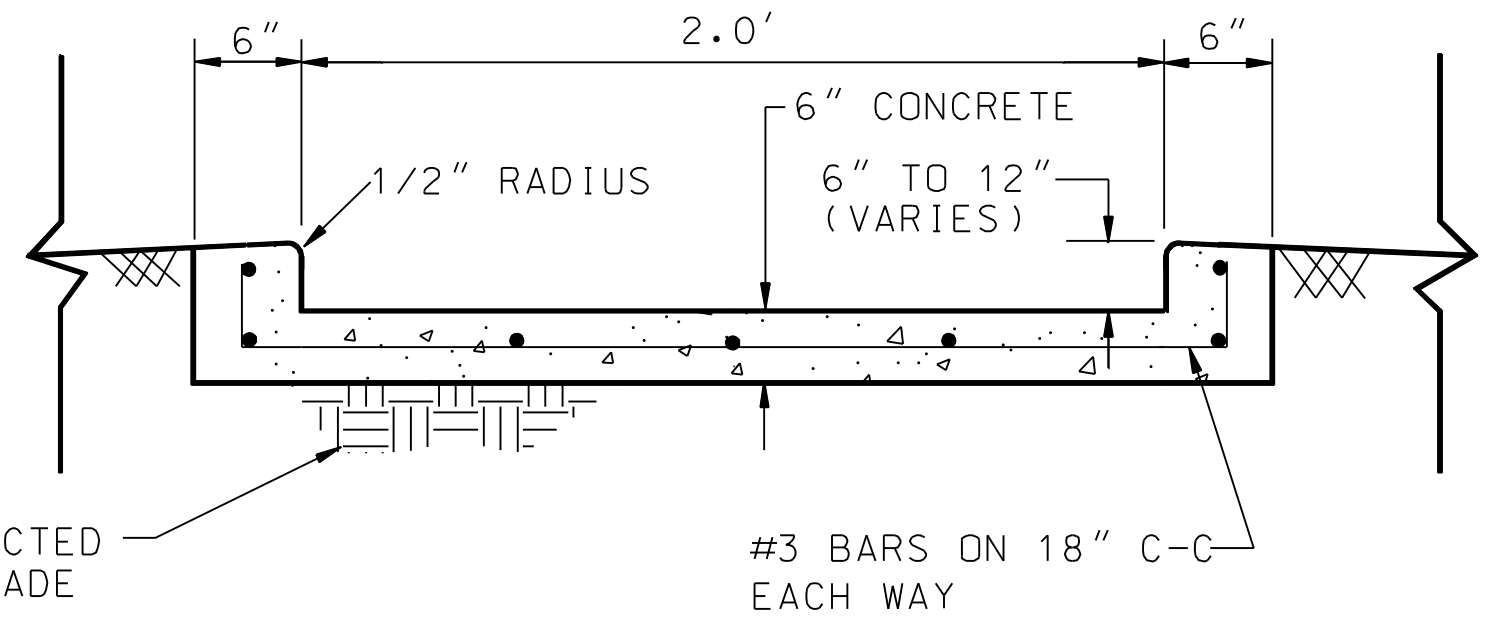
THESE DETAILS ARE NOT FOR USE ON STATE RIGHT OF WAY

CURB RAMPS NOT IN THE PUBLIC RIGHT-OF-WAY:  
 ALL CURB RAMPS THAT ARE CONSTRUCTED, RENOVATED, MODIFIED, OR ALTERED, BUT ARE NOT IN THE PUBLIC ROW MUST COMPLY WITH 2012 TAS  
 AND ANY CURB RAMPS PROVIDED SHALL BE IN COMPLIANCE WITH 2012 TAS SECTION 406.

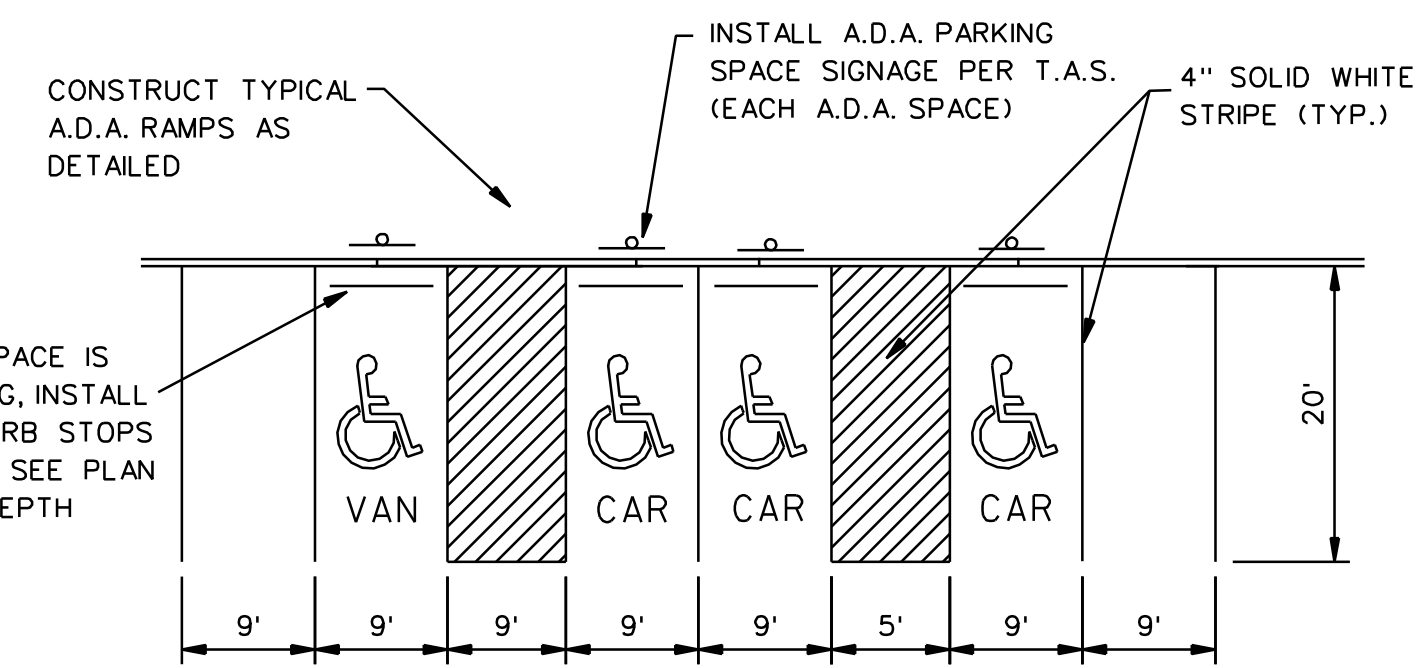


A.D.A. RAMP DETAIL N.T.S.

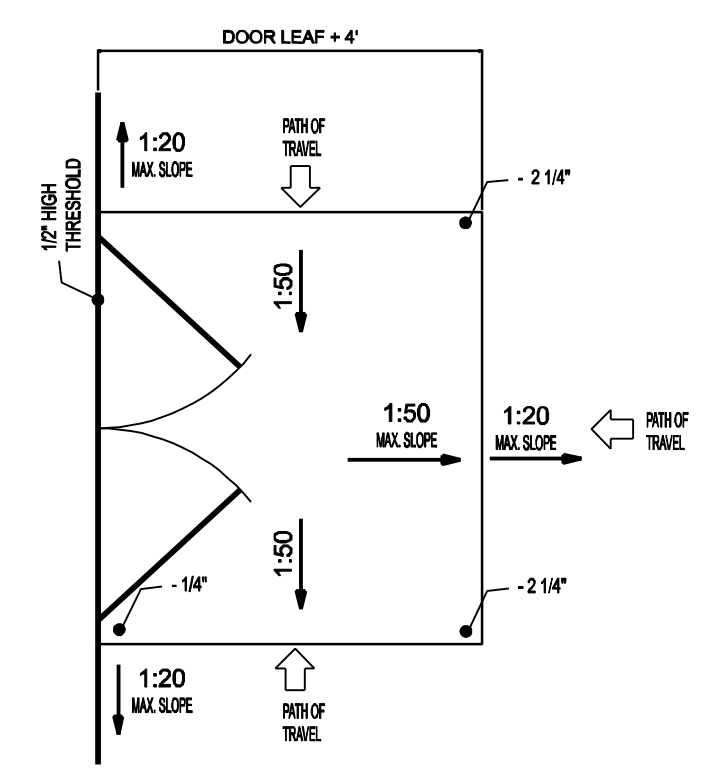
\*NOTE: CONCRETE FOR FLUME SHALL BE 3,000 PSI (MIN. 5.5 SACK MIX)



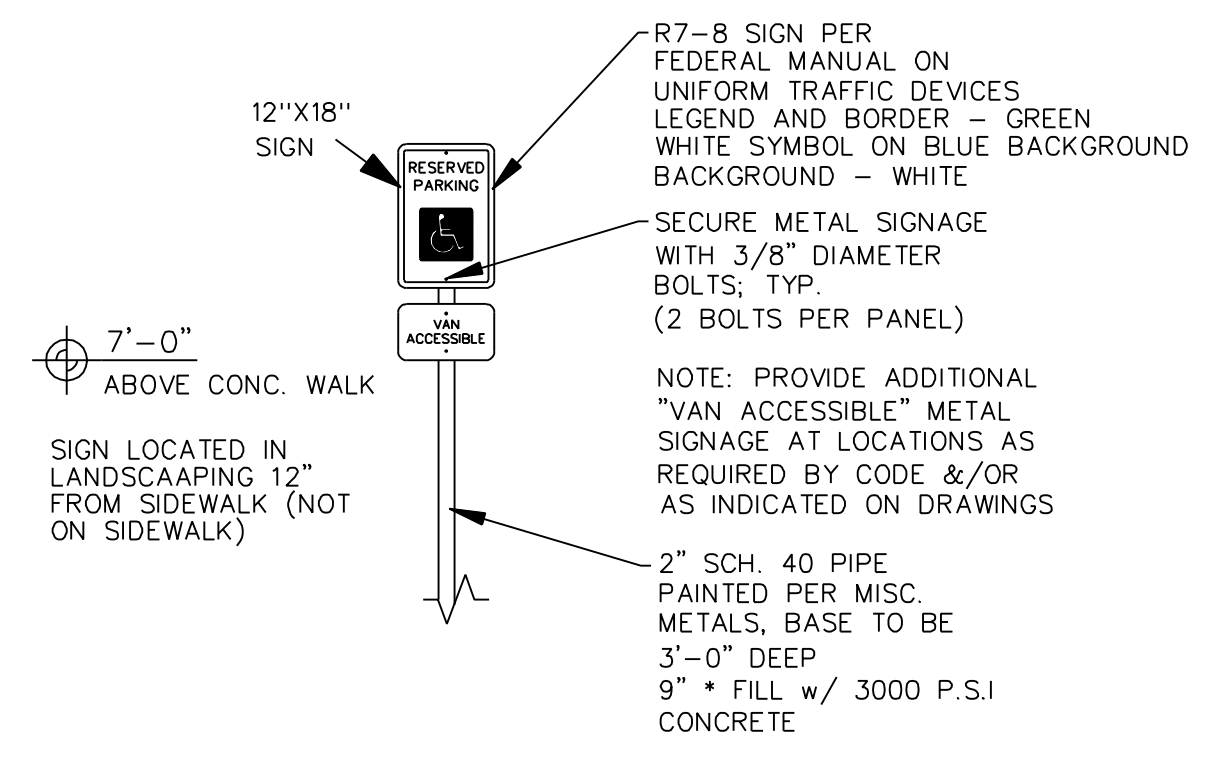
CONC. FLUME SECTION SCALE: N.T.S.



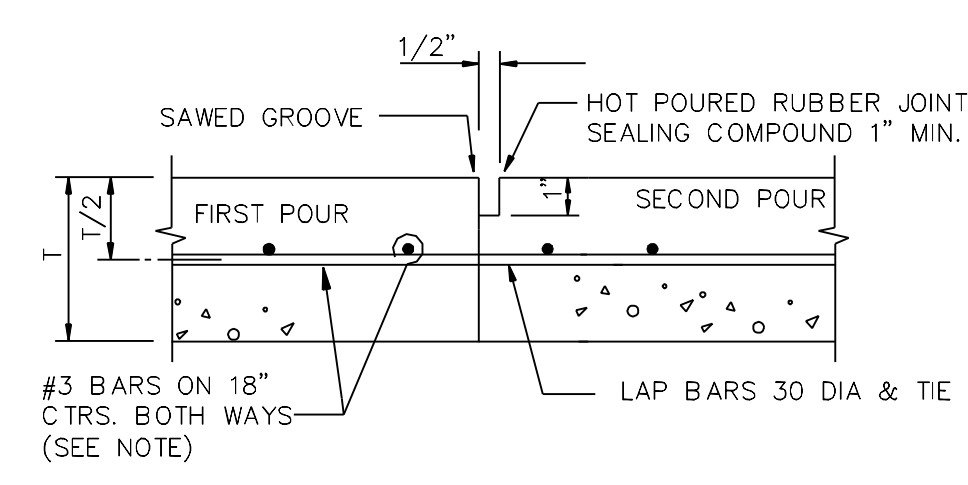
TYPICAL A.D.A. RAMP SIDEWALK AND PARKING STRIPING DETAIL DIMENSIONS AS APPLICABLE TO SITE PLAN N.T.S.



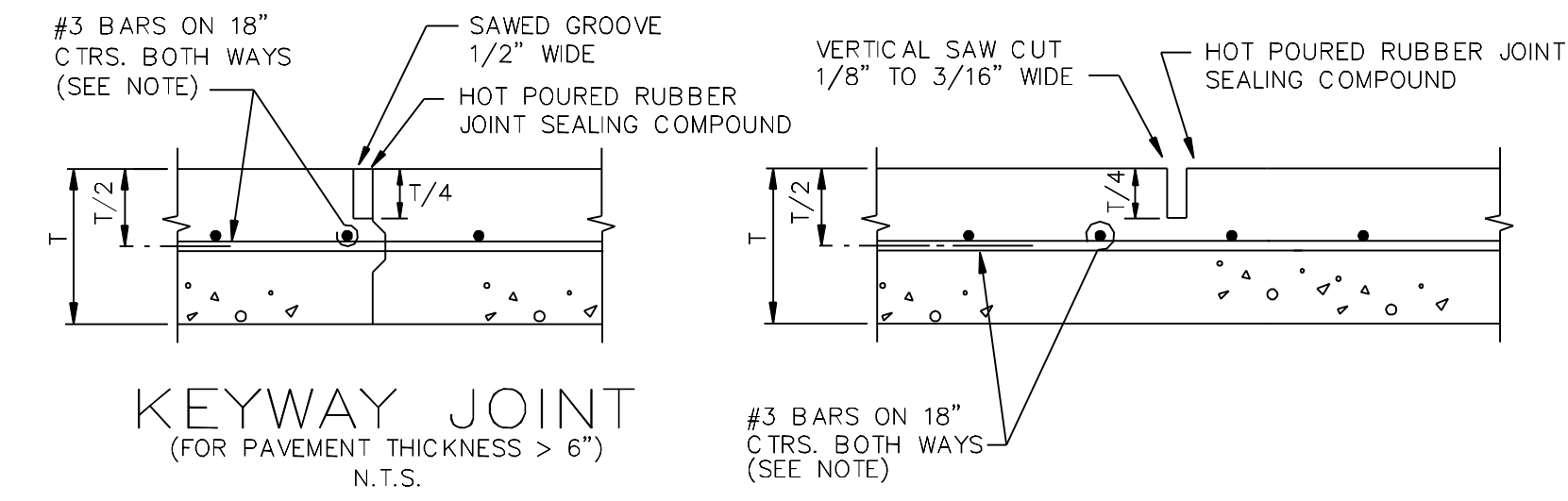
TYPICAL GRADING AT PEDESTRIAN DOOR SCALE: N.T.S.



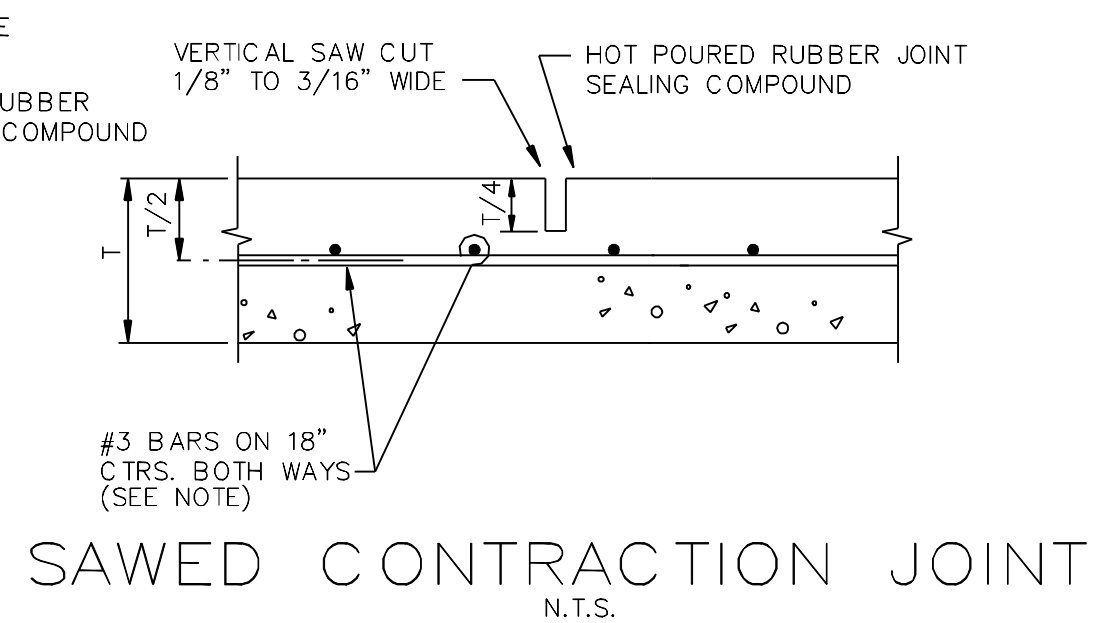
TYPICAL A.D.A. PARKING SPACE SIGNAGE DETAIL N.T.S.



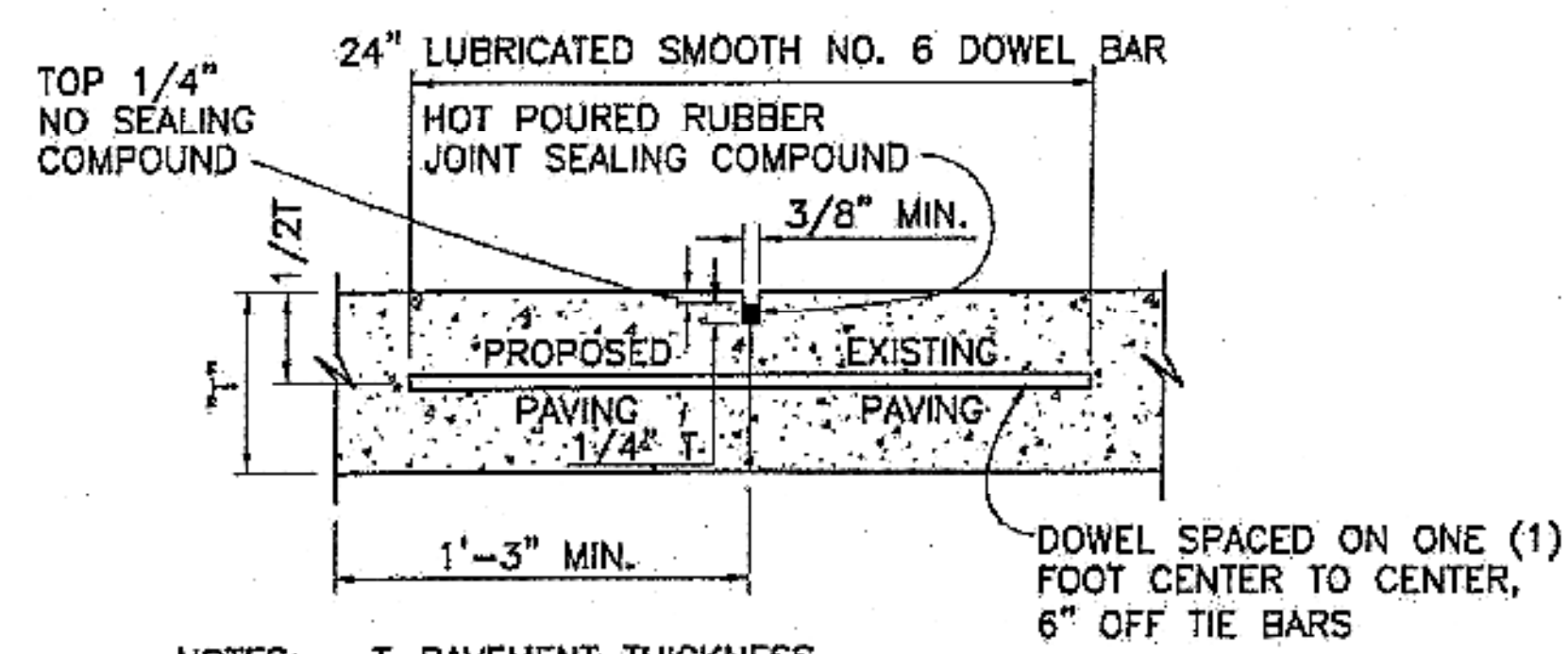
CONSTRUCTION JOINT N.T.S.



KEYWAY JOINT (FOR PAVEMENT THICKNESS > 6") N.T.S.

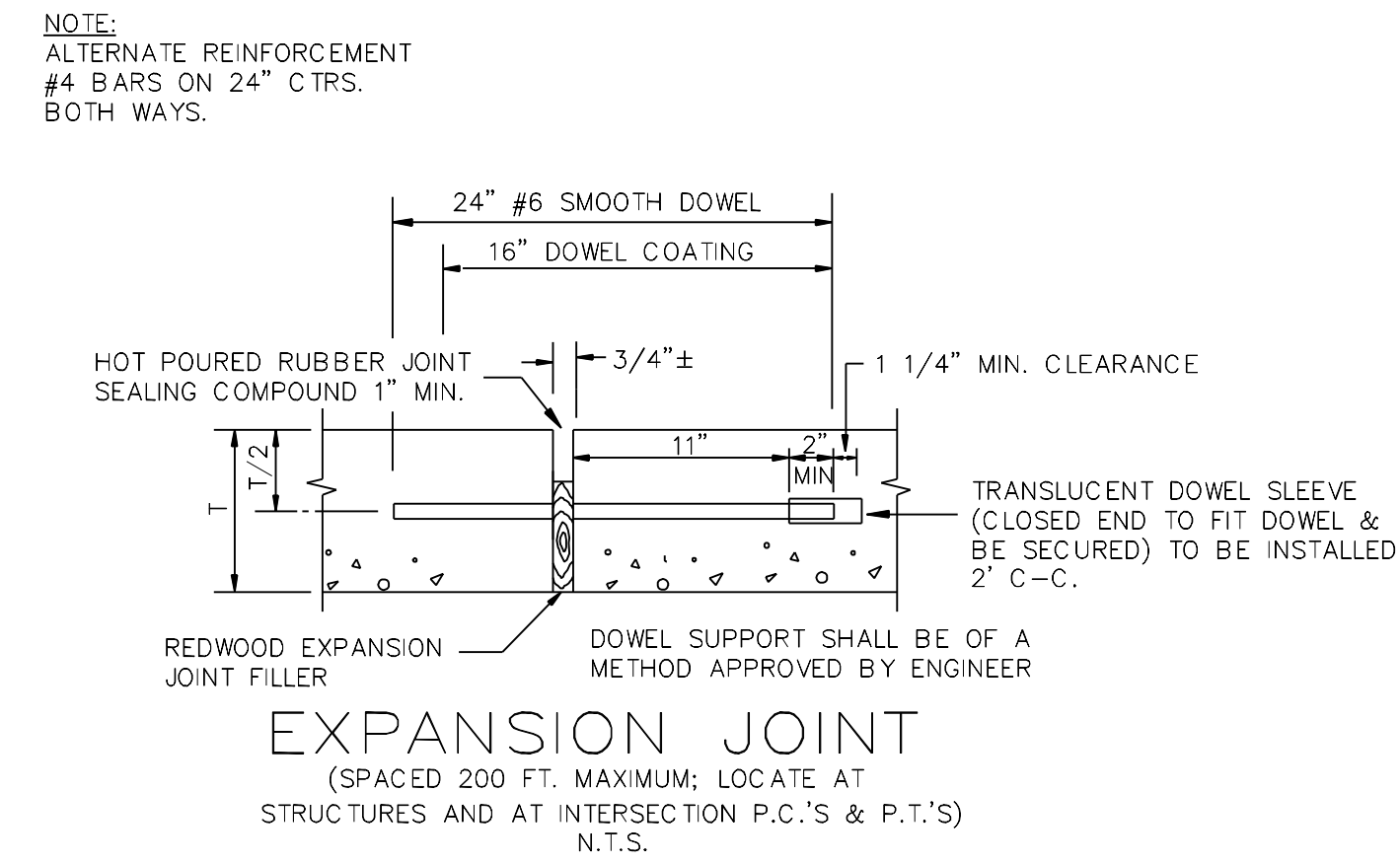


SAWED CONTRACTION JOINT N.T.S.

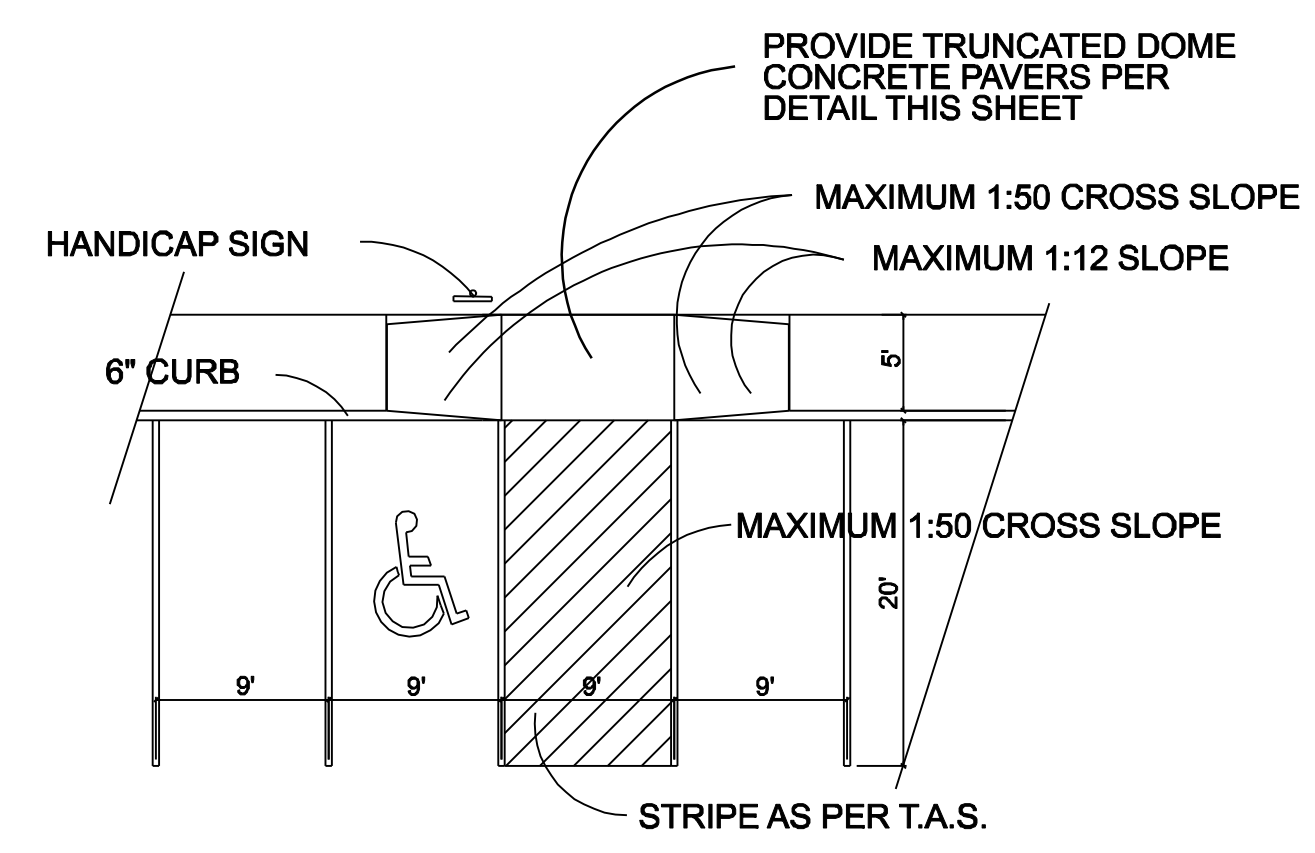


LONGITUDINAL BUTT JOINT NOT TO SCALE

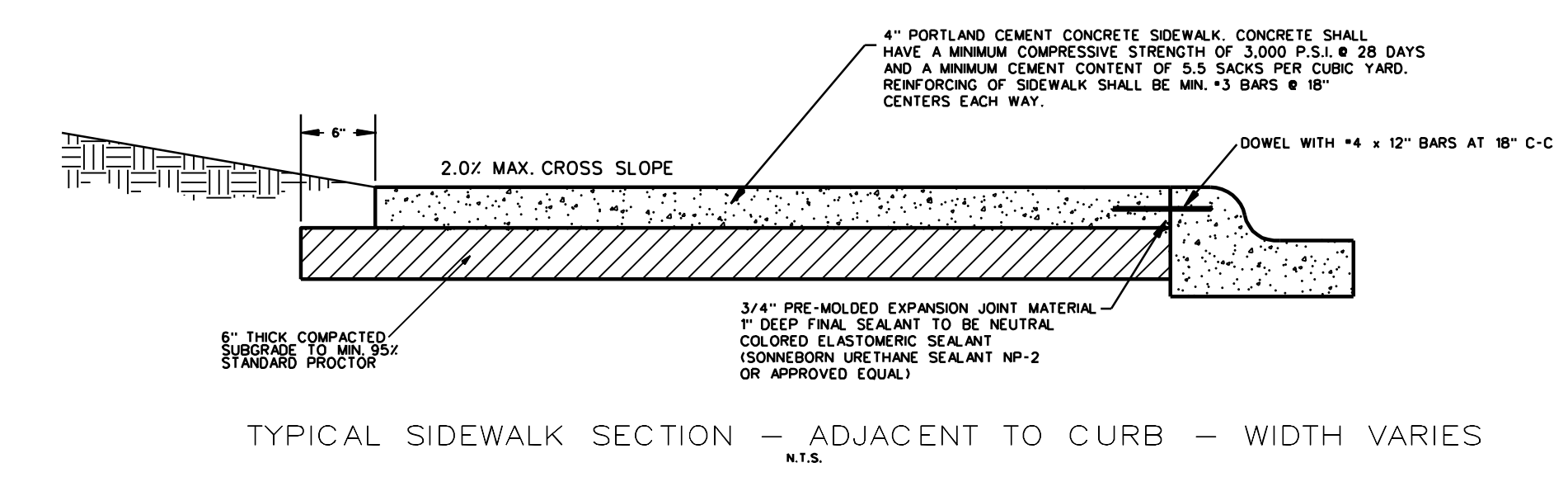
- NOTES: T=PAVEMENT THICKNESS
- LONGITUDINAL BUTT CONSTRUCTION MAY BE UTILIZED IN PLACE OF LONGITUDINAL HINGED (KEYWAY) JOINT AT CONTRACTORS OPTION.
  - DOWEL BARS SHALL BE DRILLED INTO PAVEMENT HORIZONTALLY BY USE OF A MECHANICAL RIG.
- DRILLING BY HAND IS NOT ACCEPTABLE, PUSHING DOWEL BARS INTO GREEN CONCRETE NOT ACCEPTABLE



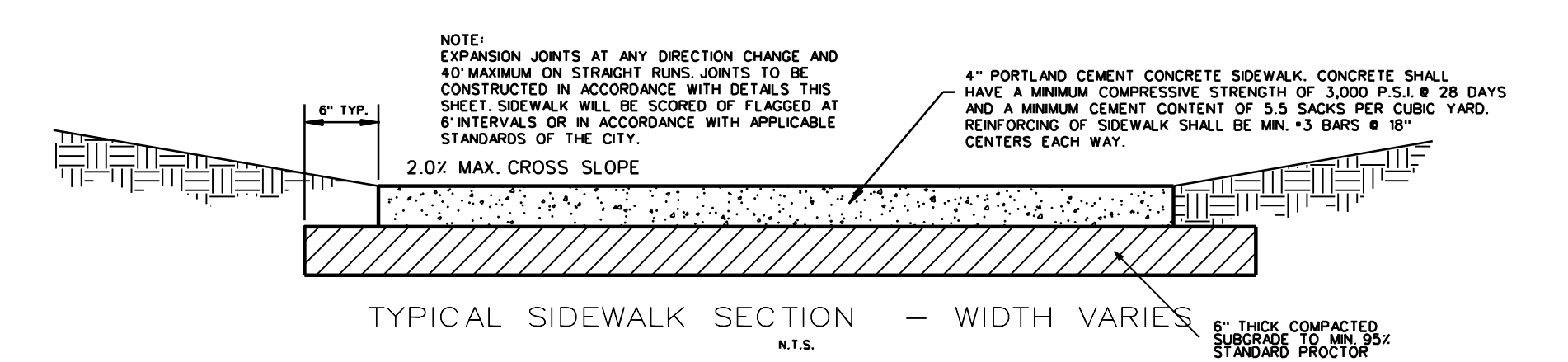
EXPANSION JOINT (SPACED 200 FT. MAXIMUM; LOCATE AT STRUCTURES AND AT INTERSECTION P.C.'S & P.T.'S) N.T.S.



TYPICAL HANDICAP PARKING SPACE FRONT OF BUILDING



TYPICAL SIDEWALK SECTION - ADJACENT TO CURB - WIDTH VARIES N.T.S.



TYPICAL SIDEWALK SECTION - WIDTH VARIES N.T.S.

As Builts 7.13.17

**HAMILTON DUFFY, PC**  
 CONSULTING  
 CIVIL & ENVIRONMENTAL ENGINEERS - PLANNERS - CONSTRUCTION MANAGERS  
 8241 MID-CITIES BLVD. - NORTH RICHLAND HILLS, TEXAS 76180-4712  
 PHONE (817) 268-0408 FAX (817) 284-8408

SITE CONSTRUCTION PLANS  
 CARMEL CAR WASH  
 2003 SOUTH GOLIAD STREET  
 CITY OF ROCKWALL, TEXAS

As-BUILT DRAWINGS  
 THIS DOES NOT IMPLY A GROUND SURVEY. THESE DOCUMENTS WERE PREPARED FROM ORIGINAL DESIGN DRAWINGS AND CONSTRUCTION MODIFICATIONS NOTED BY CONTRACTOR.  
 KEITH M. HAMILTON 87354  
 DATE 7-13-17

JOB NO.	048-019
DATE	7/13/2017
DESIGNED	K.M.H.
DRAWN	J.B.E.
CHECKED	K.M.H.
TEXAS REGISTRATION NO.	F-005260

NO.	REVISION	DATE

SHEET C1.02A