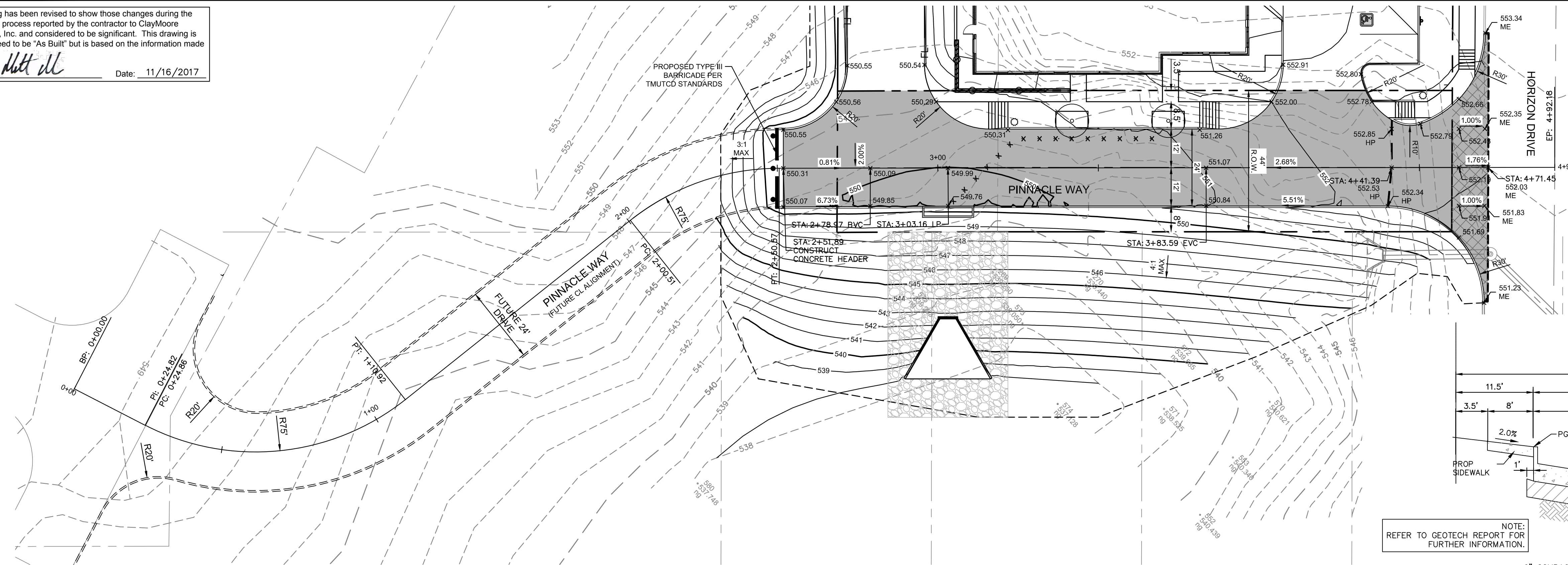
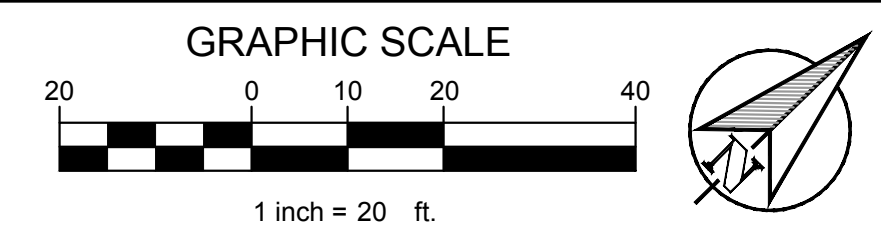


This drawing has been revised to show those changes during the construction process reported by the contractor to Clay Moore Engineering, Inc. and considered to be significant. This drawing is not guaranteed to be "As Built" but is based on the information made available.

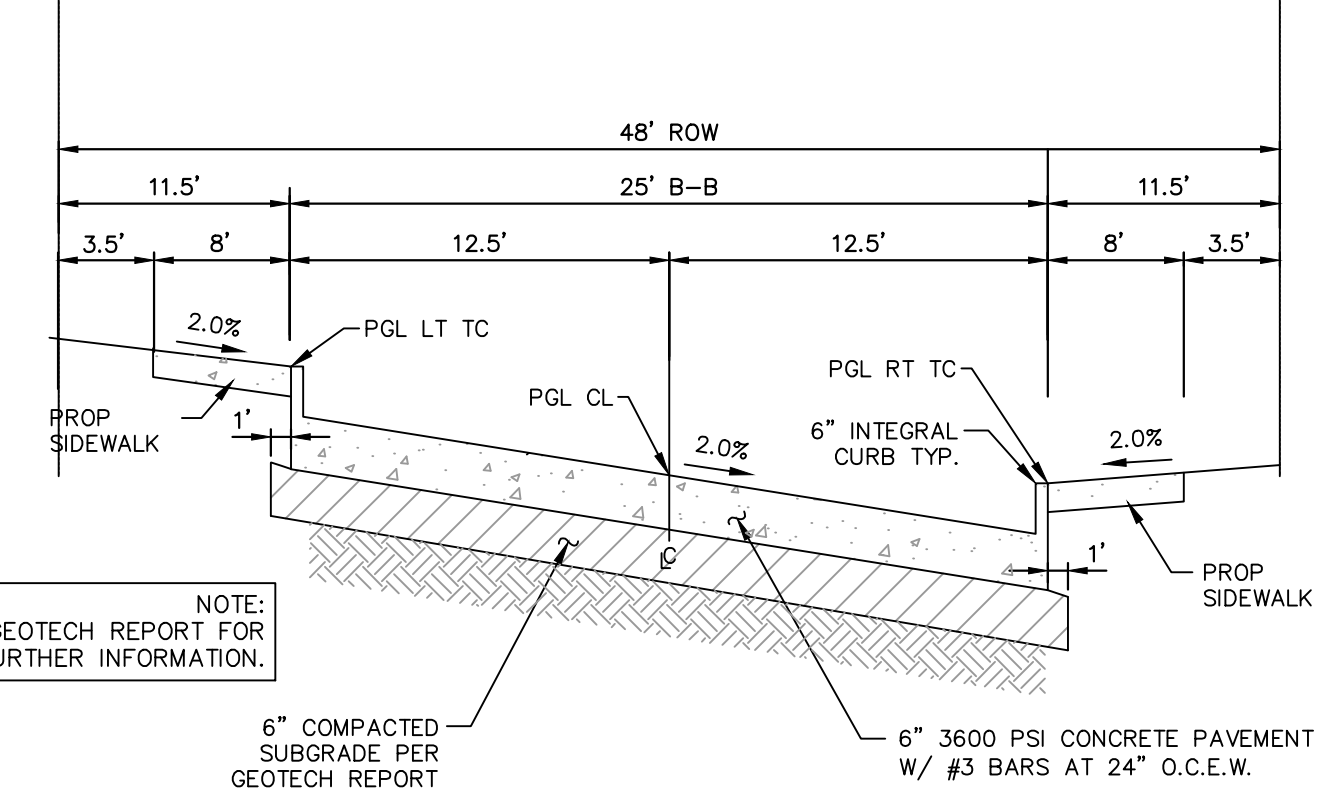
By: *Matt Hill* Date: 11/16/2017



**PINNACLE WAY PLAN VIEW**  
HORIZ. SCALE: 1"=20'

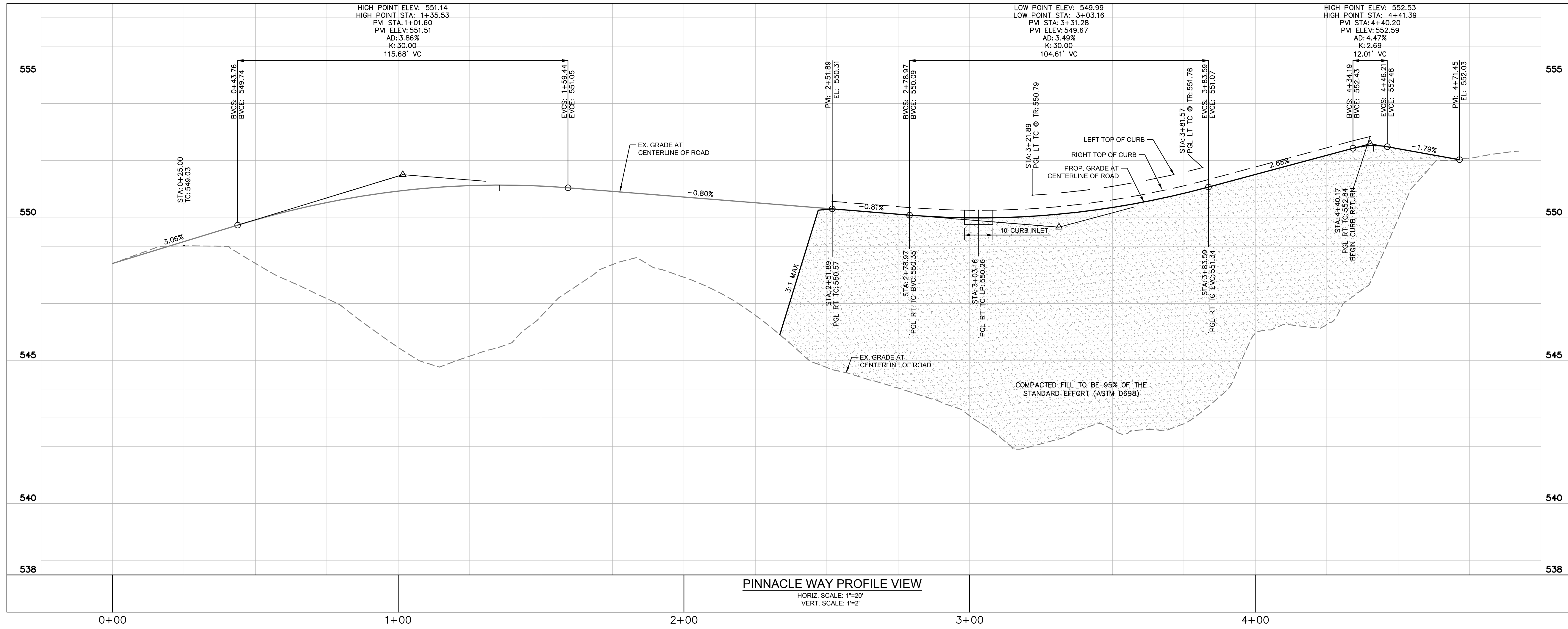


LEGEND	
	EXISTING CONTOUR
	PROPOSED CONTOUR
	PROPOSED GRADE (TOP OF PAVEMENT)
	MATCH EXISTING
	PROPOSED 6" HEAVY DUTY CONCRETE PAVEMENT PER DETAIL SHEET C-15
	8" THICK REINFORCED CONCRETE PAVEMENT, #3 BARS 24" O.C.E.W. 3600 PSI (6.5 SACK/CY)

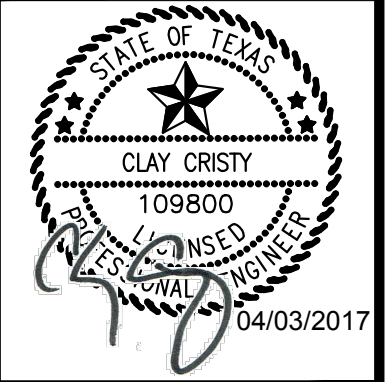


**PINNACLE WAY PAVEMENT SECTION**

NOTE:  
REFER TO GEOTECH REPORT FOR FURTHER INFORMATION.



**PINNACLE WAY PROFILE VIEW**  
HORIZ. SCALE: 1"=20'  
VERT. SCALE: 1"=2'



CARENOW  
LOT 1 & 2, BLOCK A  
BRISCOE/HILCREST ADDITION  
ROCKWALL, TX

No.	DATE	REVISION	BY

**PINNACLE WAY PAVING PLAN & PROFILE**

DESIGN:	JEV
DRAWN:	JEV
CHECKED:	CLC
DATE:	04/03/2017

SHEET  
**C-7**

PLOTTED BY: JVALDEF 11/16/2017 1:10 PM  
 PLOT DATE: 11/16/2017 1:08 PM  
 LOCATION: C:\EGNITE\SHARED\PROJECTS\2016-029 CRESTVIEW ROCKWALL\CADD\SHEETS\C-7 PINNACLE PAVING PLAN AND PROFILE.DWG  
 LAST SAVED: 11/16/2017 1:08 PM