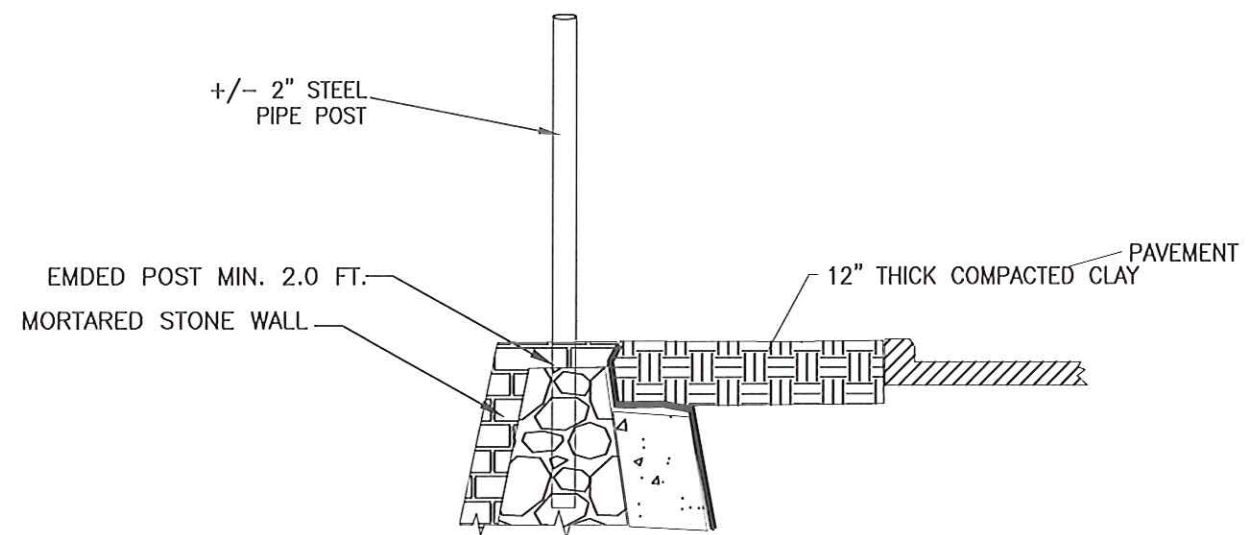


TYPICAL EXPANSION JOINT DETAIL

SCALE: NONE



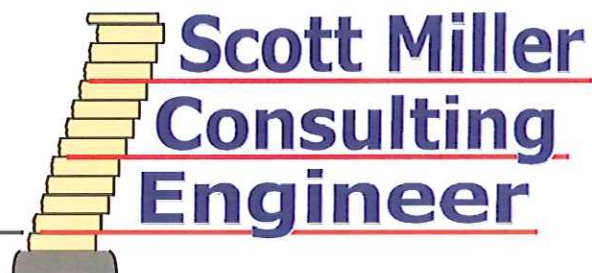
POST & RAIL DETAIL

TYPICAL HANDRAIL AND/OR RAIL POST

SCALE: NONE

Scott Miller Consulting Engineer, Inc.  
Texas Registered Engineering Firm  
F-003643

P.O. Box 94529 North Little Rock, AR 72190  
Tel: 501.374.3546 Fax: 501.374.3547 E-mail: segwalls@gmail.com



CARENOW MASONRY WALL  
ROCKWALL, TEXAS

WALL DETAILS

DRAWN BY: SAM | DATE: 10/11/17 | SHEET: 5 OF 6