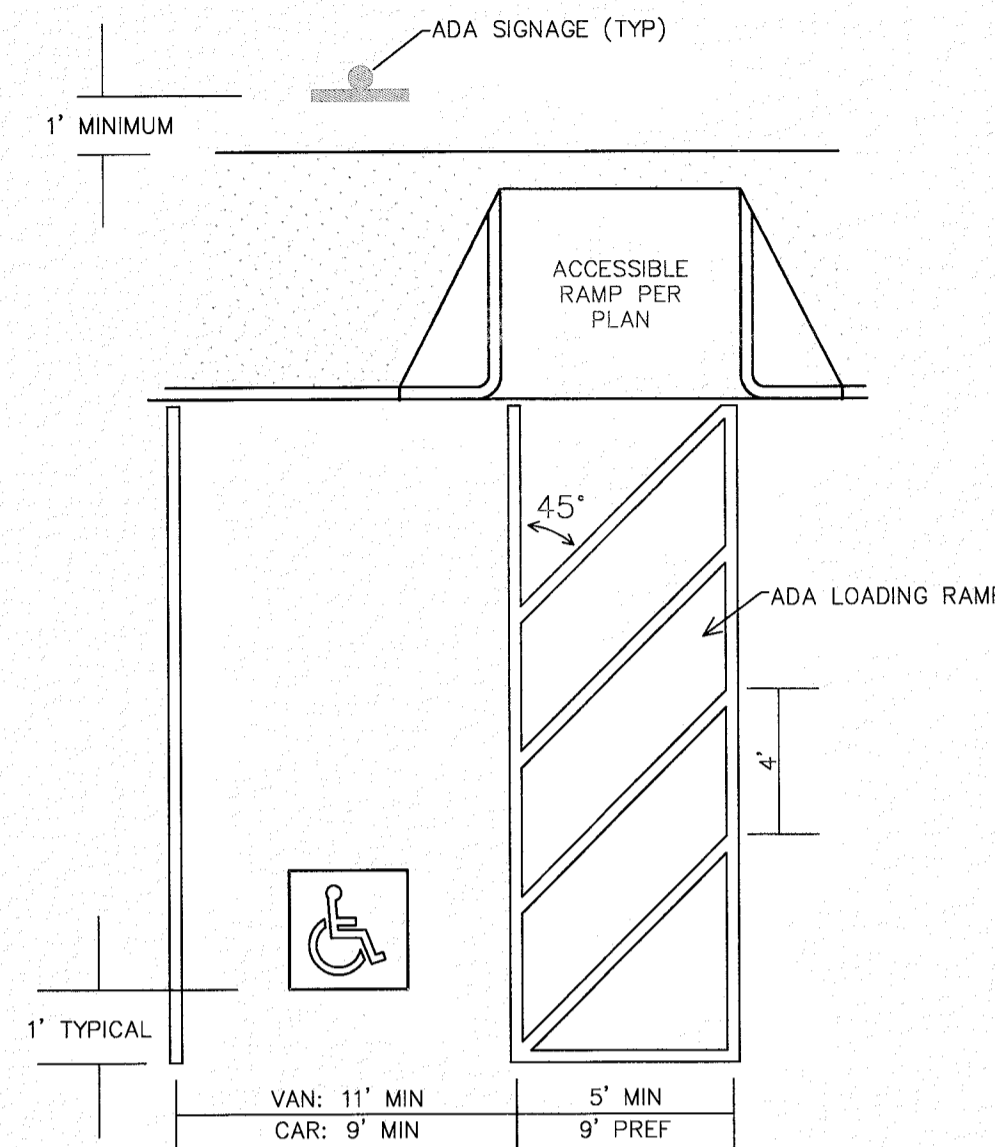


**GENERAL NOTES  
FOR  
ADA PARKING & SIGNAGE**

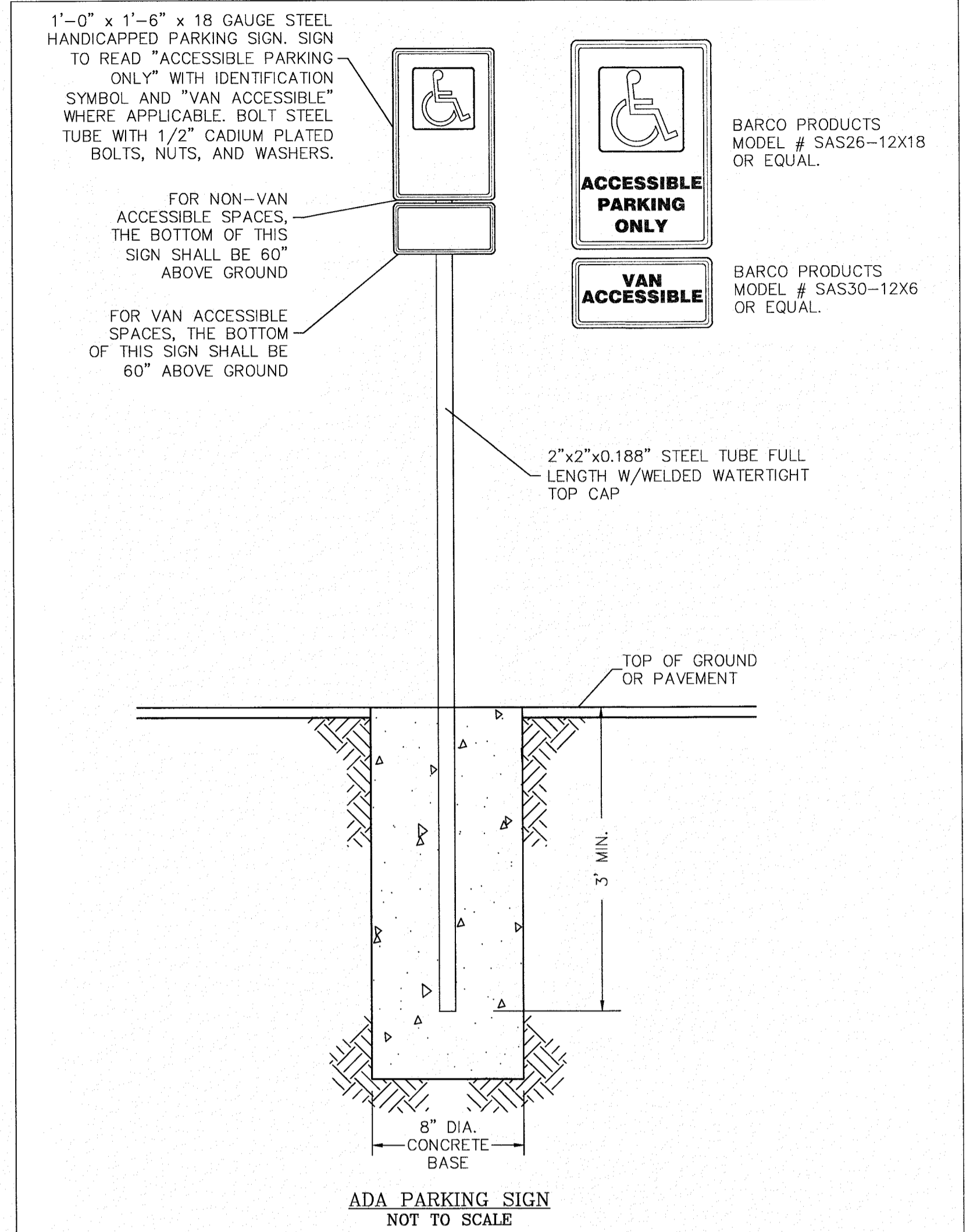
- GENERAL NOTES:
1. ALL PARKING SPACE LIMIT LINES SHALL BE 4" SOLID WHITE LINES.
  2. AISLE MARKINGS SHOWN ARE EXAMPLES ONLY. OTHER METHODS TO INDICATE A NO PARKING AREA ARE ACCEPTABLE. AISLE MARKINGS SHALL BE WHITE.
  3. DIMENSIONS OF LIMIT LINES, AISLE MARKINGS, AND SYMBOL (WITH OR WITHOUT BACKGROUND) MAY VARY + 10%.
  4. PAVEMENT MARKING SYMBOLS (WITH BACKGROUND):
    - A) ARE REQUIRED UNLESS STATED ELSEWHERE IN THE PLANS.
    - B) SHOULD BE PLACED AT THE END OF THE PARKING SPACES SO AS TO BE VISIBLE TO MOTORISTS IN THE TRAVEL LANE.
    - C) MAY BE PAINTED OR PREFABRICATED MATERIAL, AND
    - D) SHALL BE 48" X 48" MINIMUM.
  5. WITH APPROVAL OF THE ENGINEER, PREFABRICATED PAVEMENT MARKING SYMBOLS WITH BACKGROUND OF OTHER DIMENSIONS EXCEEDING THE 48" X 48" MINIMUM MAY BE USED. ALTERNATIVE DESIGNS SHALL INCLUDE A PROPORTION SIZED SYMBOL OF ACCESSIBILITY AND SHALL CONFORM TO THE ILLUSTRATED COLORS FOR BACKGROUND, SYMBOL AND BORDER.
  6. AN R7-B SIGN:
    - A) SHALL BE REQUIRED FOR EACH ACCESSIBLE PARKING SPACE.
    - B) SHALL NOT BE PLACED BETWEEN TWO ACCESSIBLE PARKING SPACES.
    - C) SHALL NOT BE PLACED IN A LOCATION THAT RESTRICTS MOVEMENT OF WHEELCHAIRS WITHIN THE ADJACENT SIDEWALK, AND
    - D) SHALL HAVE A MINIMUM MOUNTING HEIGHT OF 5 FEET, IF MOUNTED TO WALL OR LOCATED NEAR PEDESTRIAN TRAFFIC THE MINIMUM MOUNTING HEIGHT MAY BE 7 FEET.
  7. POST MOUNTED SIGNS SHOULD BE PLACED APPROXIMATELY 1 FOOT (OR GREATER) BEHIND THE CURB TO PREVENT DAMAGE FROM VEHICLE OVERHANG.
  8. SIGNS MAY BE MOUNTED DIRECTLY TO AN ADJACENT WALL OF A BUILDING WHEN POST MOUNTING IS IMPRACTICAL.
  9. ONE OF EIGHT ACCESSIBLE PARKING SPACES, BUT ALWAYS AT LEAST ONE, MUST BE VAN-ACCESSIBLE ALONG WITH AN ADDITIONAL SIGN THAT IDENTIFIES THE PARKING SPACES AS "VAN ACCESSIBLE".

**TYPICAL ACCESSIBLE PARKING SPACE DIMENSIONS**

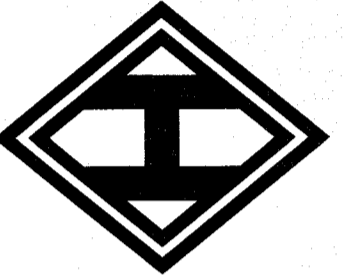


TOTAL NUMBER OF PARKING SPACES PROVIDED	MINIMUM NUMBER OF REQUIRED ACCESSIBLE PARKING SPACES
1 - 25	1
26 - 50	2
51 - 75	3
76 - 100	4
101 - 150	5
151 - 200	6
FOR > 200 SPACES, SEE REGULATIONS	
FOR EVERY 6 ACCESSIBLE PARKING SPACES PROVIDED, AT LEAST 1 SPACE SHALL BE A VAN PARKING SPACE	

RAMP DETAILS ARE AS SHOWN ELSEWHERE IN THE PLANS.

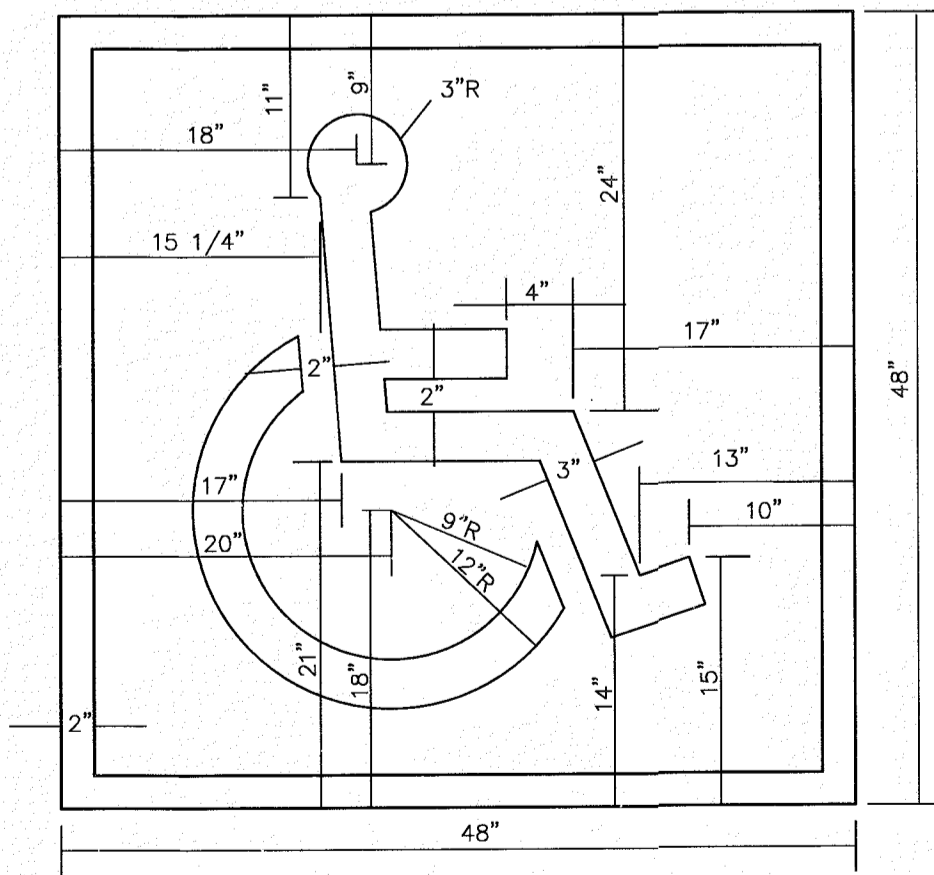


**HOMEYER ENGINEERING, INC.**  
 ENGINEERING REGISTRATION NO. F-8440  
 TBPE FIRM REGISTRATION NO. F-8440  
 P.O. BOX 294527 • LEWISVILLE, TEXAS • 75029  
 972-906-9985 • PHONE • 972-906-9987 FAX  
 WWW.HEI.US.COM



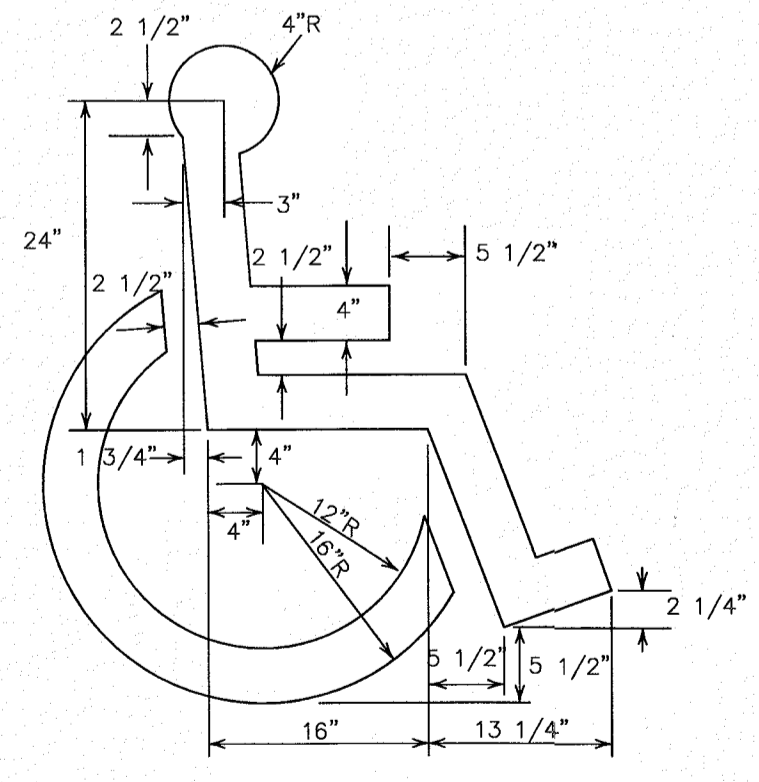
CANINE AND CO. RESORT  
 1.21 ACRES  
 CITY OF ROCKWALL  
 ROCKWALL COUNTY, TEXAS

ADA DETAILS

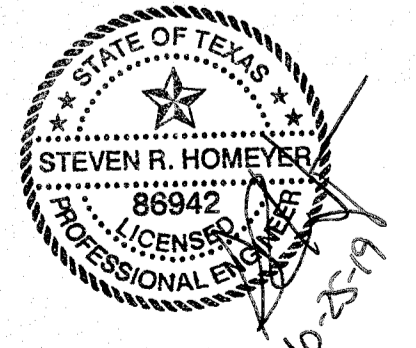


PAVEMENT MARKINGS

WITH BACKGROUND  
 SYMBOL & BORDER: WHITE  
 BACKGROUND: BLUE



SYMBOL ONLY SYMBOL: BLUE OR WHITE



CASE NO. SP2019-017

DRAWN: JAN  
 DATE: 09/28/2018  
 HEI #: 18-140  
 SHEET NO:  
 C13