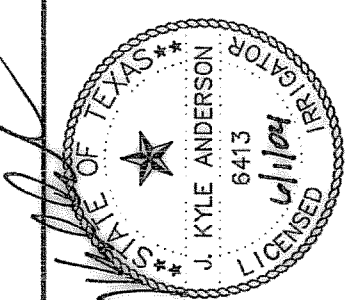


J.K.A.	App.
11/18/03	CONSTRUCTION SET
No.	Date
	Revisions



ECKERD - ROCKWALL, TEXAS

ARCHITECT:
GENESIS DESIGN GROUP, INC.
2080 N. HIGHWAY 380, STE. 200
GRAND PRAIRIE, TX. 75050

OWNER:
MAYS & COMPANY
5949 SHERRY LANE, # 1570
DALLAS, TX. 75225

TOMDEN ENGINEERING
12655 N. CENTRAL EXPY, SUITE 1016
DALLAS, TX. 75243
972 386-6446 FAX 972 386-6409
tomden@aolmail.net

Scale: 1" = 30'

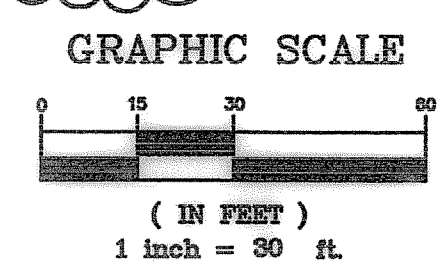
Designed by: J.K.A.
Drawn by: CAD
Checked by: J.K.A.
/dwg/268-09/0102AN.dwg
Date: 06/01/04 10:48

IRRIGATION NOTES

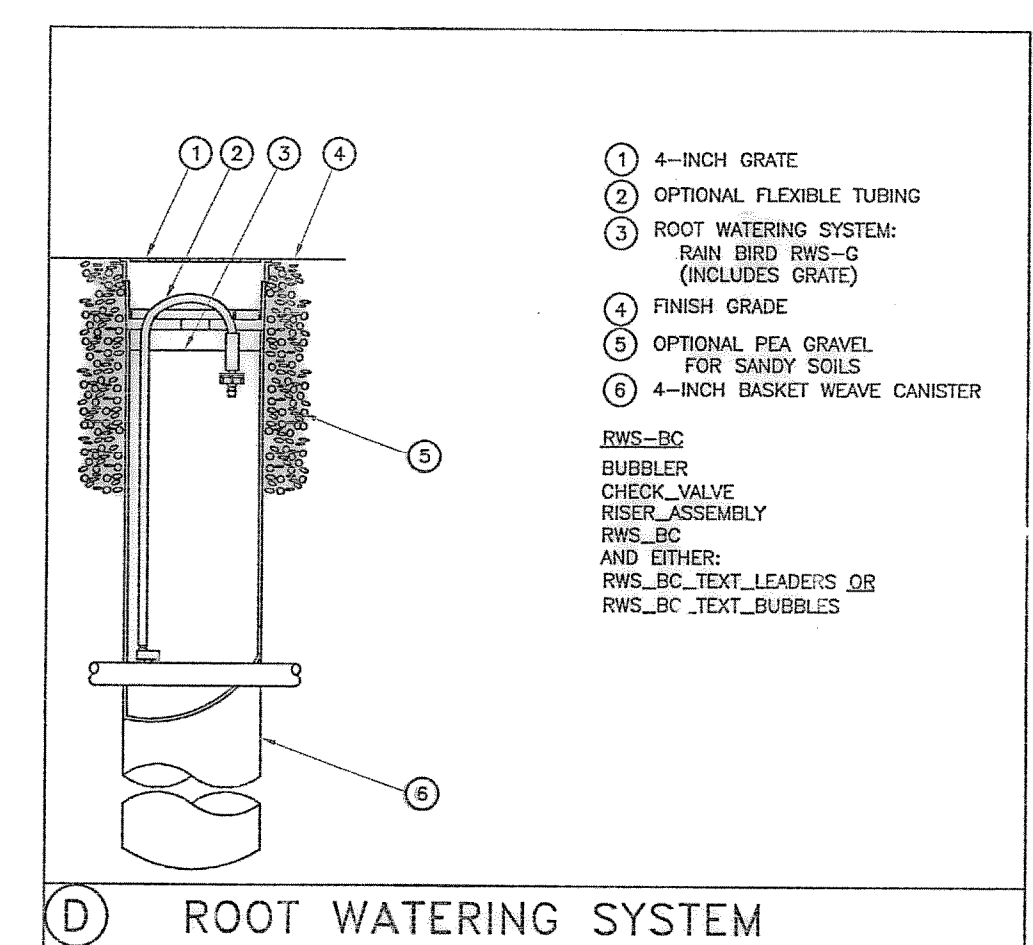
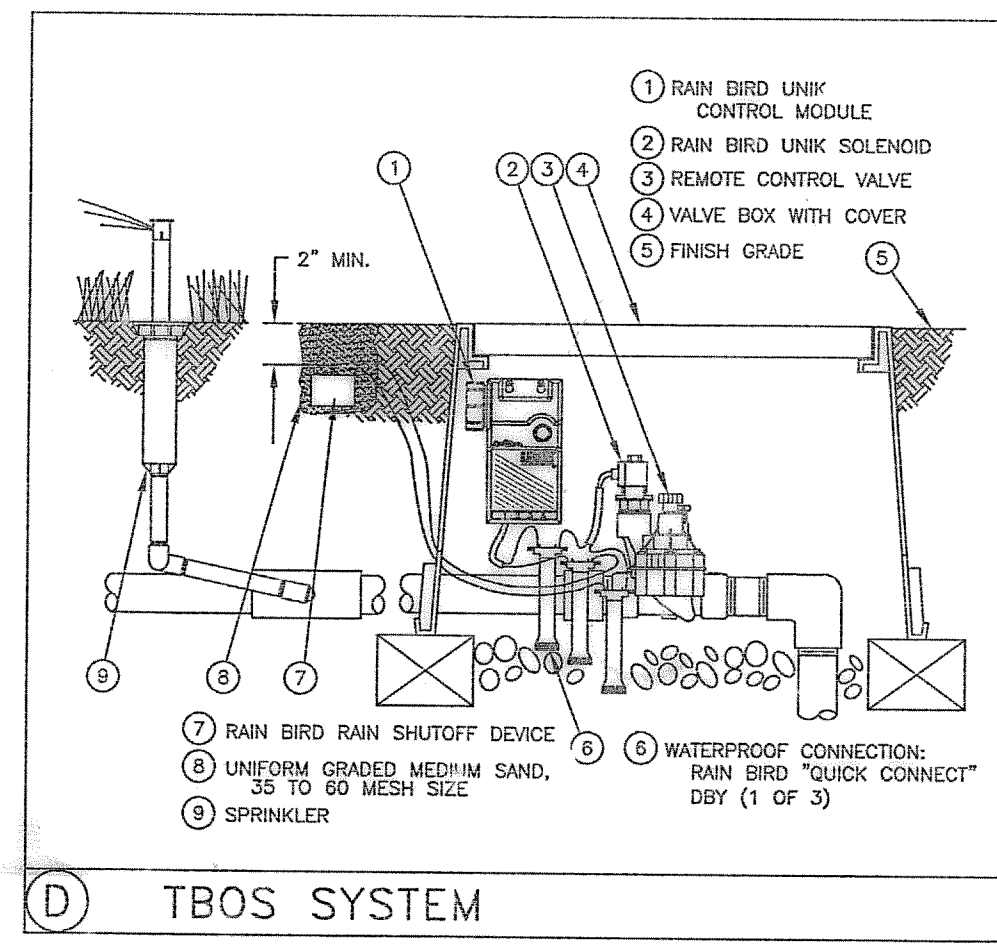
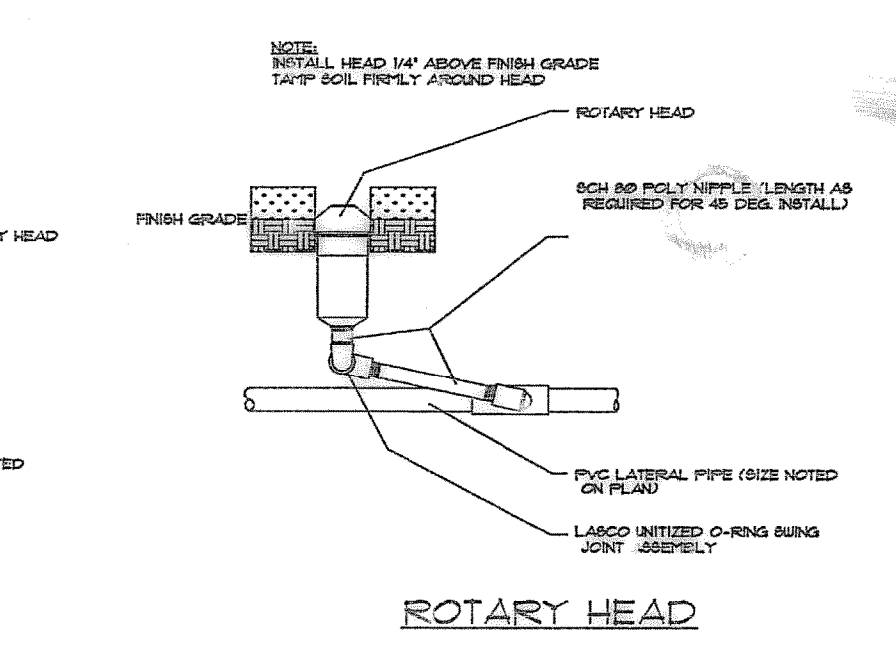
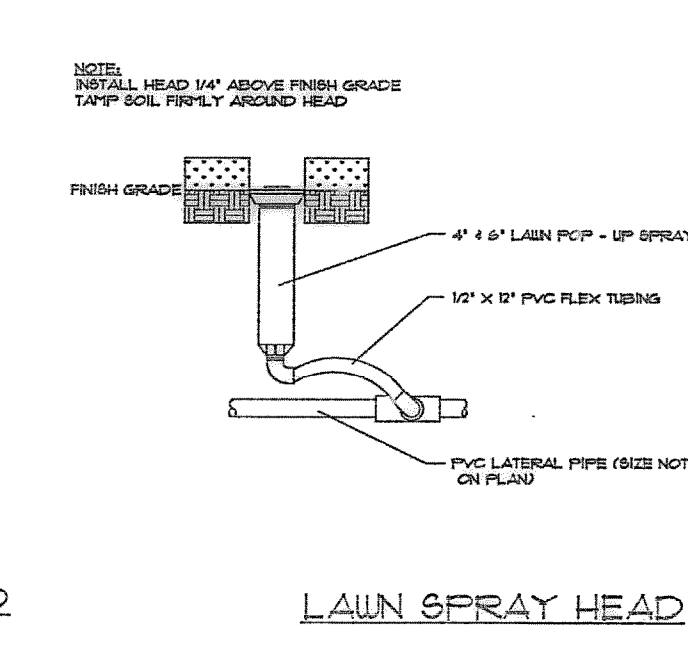
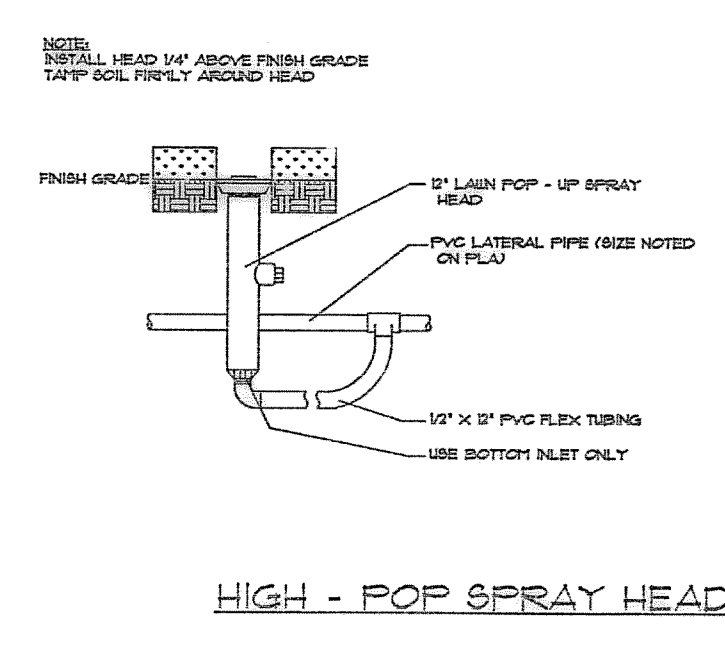
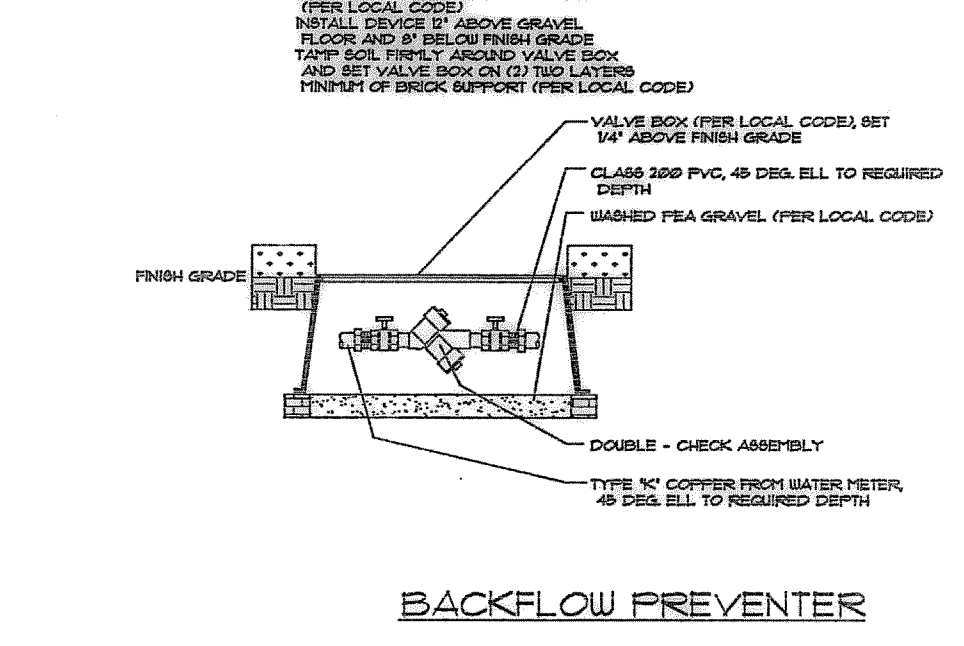
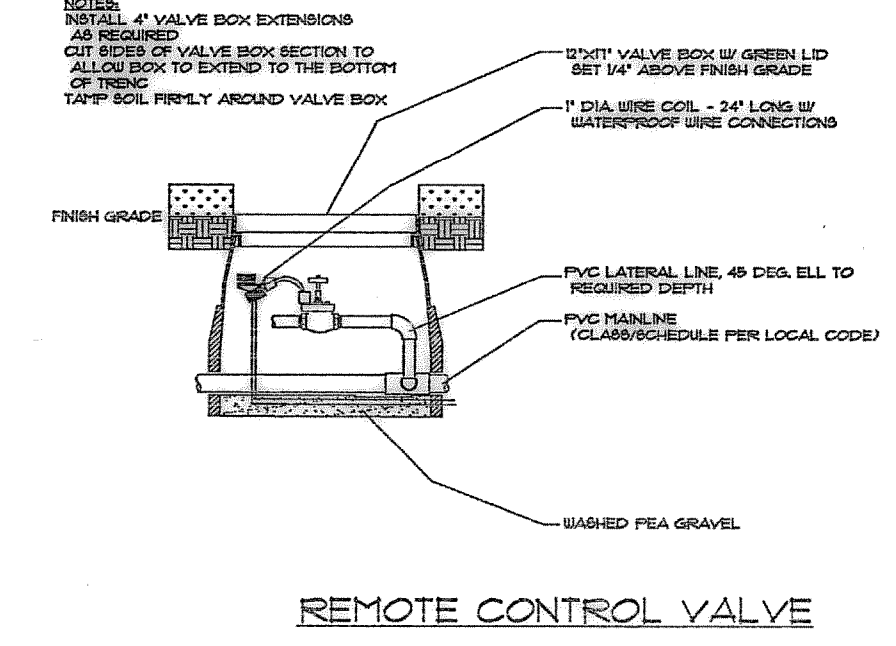
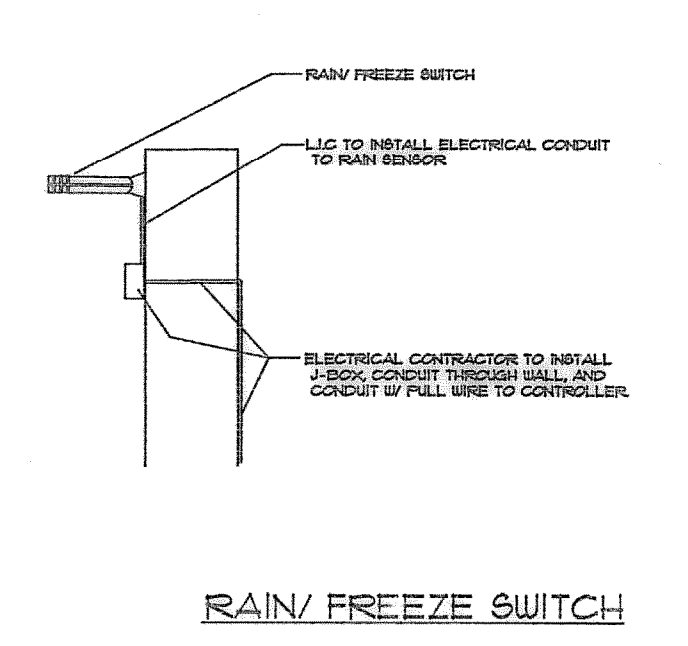
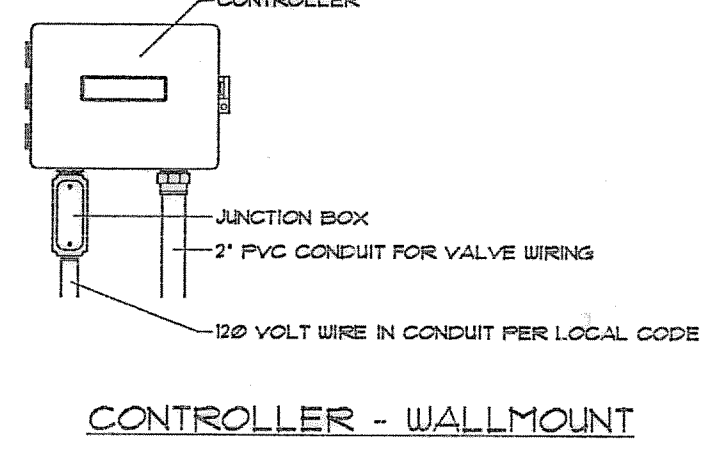
- COORDINATE INSTALLATION OF IRRIGATION SYSTEM WITH THE LANDSCAPE CONTRACTOR TO ENSURE ALL PLANT MATERIAL WILL BE WATERED IN ACCORDANCE WITH THE PLANS AND SPECIFICATIONS.
- VERIFY STATIC PRESSURE TEN DAYS PRIOR TO THE START OF CONSTRUCTION. IF STATIC PRESSURE IS LESS THAN 60 PSI, DO NOT START WORK UNTIL NOTIFIED TO PROCEED BY THE OWNER.
- PERFORM ELECTRICAL WORK IN ACCORDANCE WITH LOCAL BUILDING CODE. POWER (20V) SHALL BE LOCATED IN A JUNCTION BOX WITH FIVE (5) FEET OF CONTROLLER LOCATION BY OTHER TRADES.
- ALL 24 VOLT LEAD AND COMMON VALVE WIRING SHALL BE A MINIMUM OF UF-14 GA. SINGLE CONDUCTOR. REFER TO MANUFACTURER'S RECOMMENDATIONS FOR PROPER WIRE SIZING. WIRES SHALL BE APPLIED TOGETHER WITH WATERPROOF CONNECTORS.
- ROUTE COMMON WIRE FROM CONTROLLER TO REMOTE SENSORS IN SERIES PRIOR TO CONNECTING TO REMOTE CONTROL VALVES.
- INSTALL REMOTE CONTROL VALVES IN 1' x 1' VALVE BOXES PER DETAIL SHOWN.
- LATERAL PIPING SHALL HAVE A MINIMUM OF 12" OF COVER. MAINLINE AND PIPING UNDER PAVING SHALL HAVE A MINIMUM OF 18" OF COVER. PIPE CLASS AND TYPE NOTED IN LEGEND.
- SLEEVES SHALL BE CLASS 200 PVC, SIZED AS SHOWN ON THE PLANS AND INSTALLED BY OTHER TRADES.
- CONNECT LAWN AND HIGH-POP LAWN SPRAY HEADS TO LATERAL PIPE WITH 1/2" x 1" PVC FLEX TUBING. USE BOTTOM INLET ONLY.
- CONNECT ROTARY HEADS TO LATERAL PIPE WITH LASCO "UNITEZ" O-RING SWING JOINTS, PER DETAIL SHOWN.
- IF IRRIGATION PIPE AND VALVES ARE SHOWN OUTSIDE OF PROPERTY LINES IT IS FOR CLARITY PURPOSES ONLY. ALL IRRIGATION EQUIPMENT IS TO BE INSTALLED WITHIN STREET CURBS, LANDSCAPE FEATURES, RIGHT-OF-WAYS, PROPERTY LINES, ETC.
- DUE TO 100% COVERAGE AND ANY OTHER UNCONTROLLABLE CIRCUMSTANCE, THIS IRRIGATION SYSTEM MAY SPRAY OUTSIDE OF ITS INTENDED BOUNDARIES. THIS MAY CAUSE SLIPPERY CONDITIONS ON PAVED SURFACES.
- THIS LANDSCAPE IRRIGATION SYSTEM IS DESIGNED FOR 100% COVERAGE OF ALL LANDSCAPED AREAS. IF ANY CHANGES ARE NECESSARY IN THE FIELD IT IS THE RESPONSIBILITY OF THE IRRIGATION CONTRACTOR.
- BECAUSE CHANGES MAY BE NECESSARY, THE IRRIGATION CONTRACTOR IS REQUIRED TO SUBMIT AN AS-BUILT PLAN TO ALL AGENTS WHO HAVE DESIGN RESPONSIBILITIES FOR THIS PROJECT. THIS INCLUDES THE CITY PLANNING OFFICIAL, THE ENGINEER, THE LANDSCAPE ARCHITECT, AND THE IRRIGATION DESIGNER.
- NOZZLE LEGEND: SYMBOL + ARC RADIUS
- SEE CIVIL COVER SHEET FOR NTHUD GENERAL NOTES.

IRRIGATION SYMBOLS & LEGEND

SYMBOL	DESCRIPTION	MANUFACTURER	MODEL NO.
○	RAIN BIRD	RAINBIRD	*504 w/ 1/2" B.P. 4 1/2" NOZZLES UNLESS NOTED OTHERWISE
○	HIGH-POP SPRAY HEAD	RAINBIRD	*502 w/ 1/2" B.P. 4 1/2" NOZZLES UNLESS NOTED OTHERWISE
○	TREE BUBBLER	RAINBIRD	*RWS-BC (40) BUBBLER & ADV-250 CHECK VALVE SEE RAINBIRD DETAIL
○	END-STRIP SPRAY HEAD	RAINBIRD	w/ EST. NOZZLES
○	CENTER-STRIP SPRAY HEAD	RAINBIRD	w/ CST NOZZLES
○	SMALL ROTARY HEAD	HUNTER	PSM w/ ADJ. NOZZLES
○	LARGE ROTARY HEAD	HUNTER	PSM w/ ADJ. NOZZLES
○	REMOTE CONTROL VALVE	RAINBIRD	FEB SERIES, SIZED AS SHOWN
○	CONTROLLER	RAINBIRD	ESP-LX1-24 w/ RAIN-FREEZE SWITCH
○	CONTROLLER	RAINBIRD	TBOS SERIES, MODEL #CMB w/ FEBB VALVE. SEE RAINBIRD DETAIL
○	DOUBLE-CHECK ASSEMBLY	FEBCO	809Y
○	WATER METER	REFER TO PLAN	PER LOCAL CODE BY OTHERS
○	MAINLINE PIPING	REFER TO PLAN	CLASS 200 PVC, SIZED AS SHOWN
○	LATERAL PIPING	REFER TO PLAN	CLASS 200 PVC, SIZED ON PLAN
○	SLEEVE	REFER TO PLAN	CLASS 200 PVC, SIZED AS SHOWN
○	STATION NUMBER VALVE SIZE		1/2" V 30.0



- NOTES:**
- SEE MANUFACTURER'S MANUAL FOR MOUNTING INSTRUCTIONS.
 - INSTALL WIRING PER LOCAL CODE.
 - INSTALL CONDUIT WITH SWEEP FITTINGS AND PULL WIRE.



CONSTRUCTION RECORDS
DATE: 6/2/04 BY: JKA
THIS DRAWING INDICATES THE WORK COMPLETED PER INFORMATION SUPPLIED BY THE CONTRACTOR. ACTUAL ON THE GROUND SURVEY VERIFICATION WAS NOT PERFORMED EXCEPT AS SPECIFICALLY NOTED.

ANDERSON IRRIGATION
LANDSCAPE & IRRIGATION
CONSULTING • DESIGNING • PLANNING
6301 STONEWOOD DR. #423
FLAND, TEXAS 75224
(ph) 214-993-0201
(e-mail) jka@01@aolmail.net

SHEET
L2
OF
2