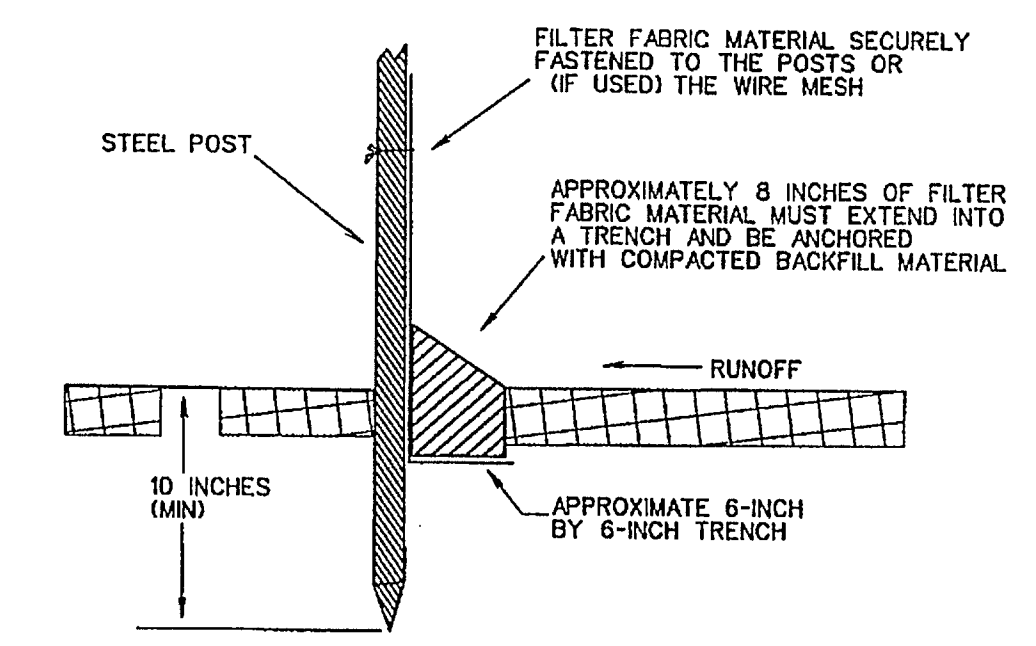
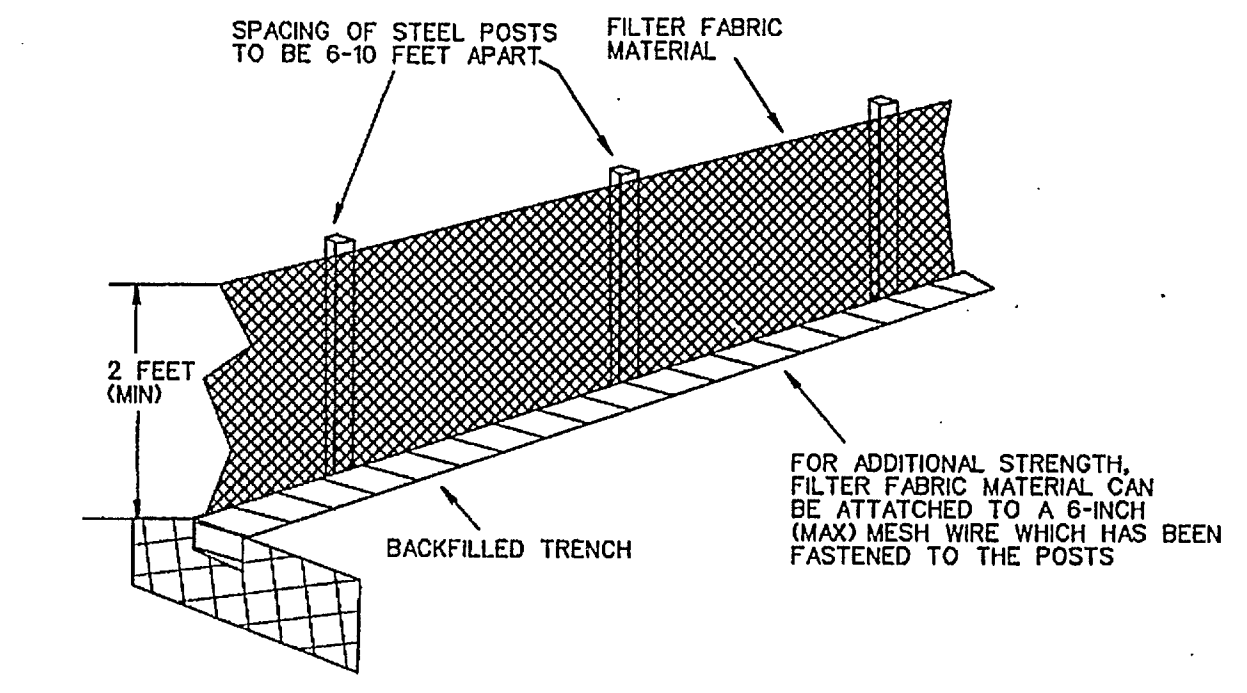


STABILIZED ENTRANCE DETAIL



FILTER FABRIC FENCE DETAIL

- CONSTRUCTION SEQUENCE**
1. GRADING CONTRACTOR TO INSTALL TEMPORARY STABILIZED ENTRANCE.
 2. INSTALL SILT FENCE AS SHOWN, (TS-600 POLY FELT) PER C.O.G. SPECIFICATIONS.
 3. PERFORM GRADING AND UTILITY CONSTRUCTION.
 4. SILT FENCE SHALL REMAIN IN PLACE UNTIL RE-VEGETATION HAS BEEN COMPLETED.
 5. PAVING CONTRACTOR SHALL REMOVE TEMPORARY STABILIZED ENTRANCE.
 6. 75%-80% OF ALL DISTURBED AREA TO HAVE A MINIMUM 1" STAND OF GRASS PRIOR TO ENGINEERING ACCEPTANCE.

AS-BUILT JUNE 2017
 INFORMATION PROVIDED BY
 CONTRACTORS
 (NOT FIELD VERIFIED)

LEGEND

SILT FENCE (BEFORE CONSTRUCTION)

RELEASED FOR CONSTRUCTION
 ALL RESPONSIBILITY FOR ADEQUACY OF DESIGN
 INFORMATION WITH THE DESIGN ENGINEER, THE CITY
 OF ROCKWALL, IN REVIEWING AND RELEASING
 PLANS FOR CONSTRUCTION, ASSUMES NO
 RESPONSIBILITY FOR ADEQUACY OR ACCURACY
 OF DESIGN.

CORWIN ENGINEERING, INC. 200 W. BELMONT, SUITE E ALLEN, TEXAS 75013 (972)396-1200 TBPE FIRM #5951			
DEVELOPMENT PLANS FOR BREEZY HILL PHASE VII ROCKWALL, TEXAS			
EROSION CONTROL PLAN			
DRAWN BY	DESIGNED BY	CHECKED BY	SHEET NO.
JOB NUMBER	DATE	SCALE	
16006	JUNE 2016	1"=50'	10 OF 10