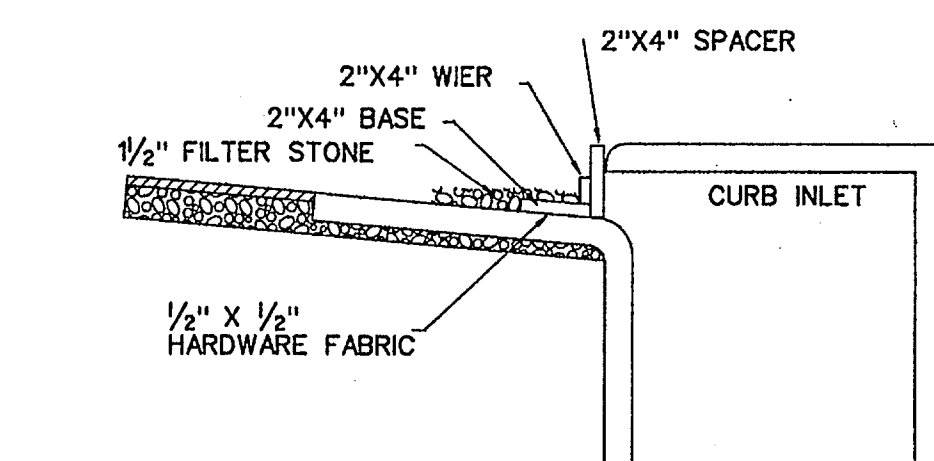
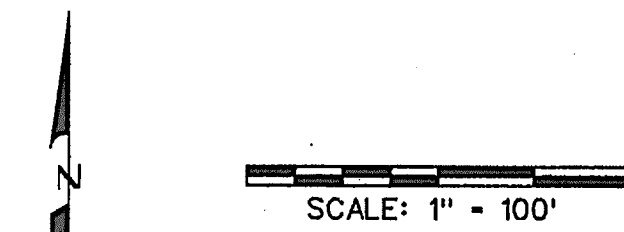
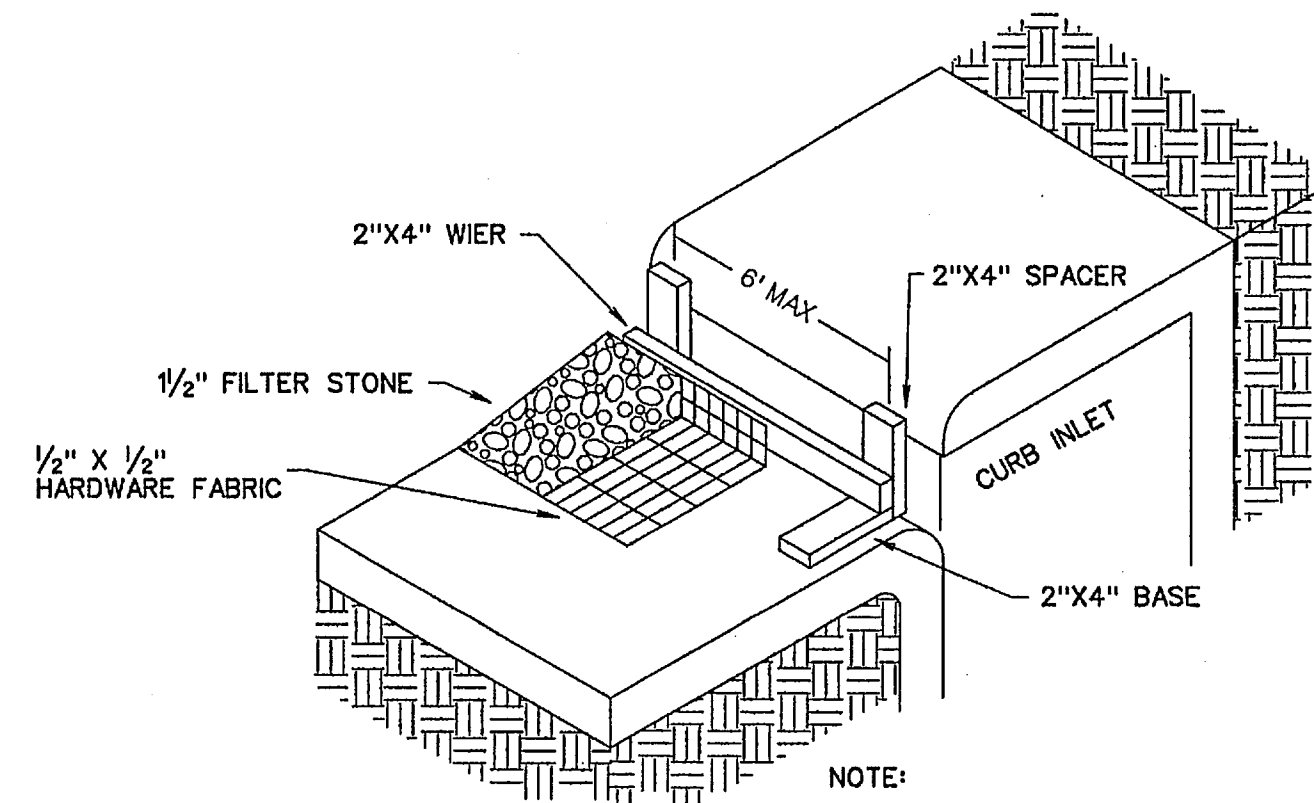


STABILIZED ENTRANCE DETAIL



INLET SECTION

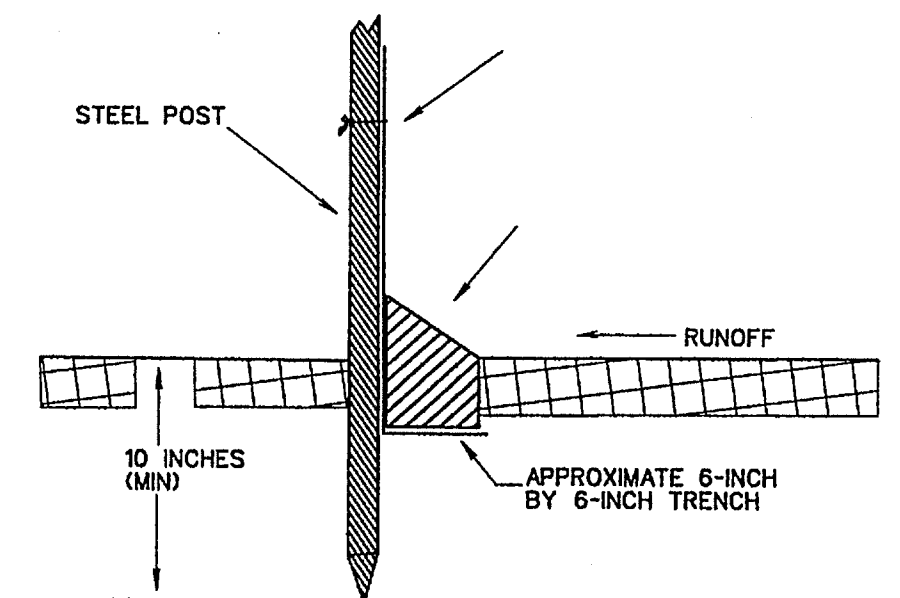
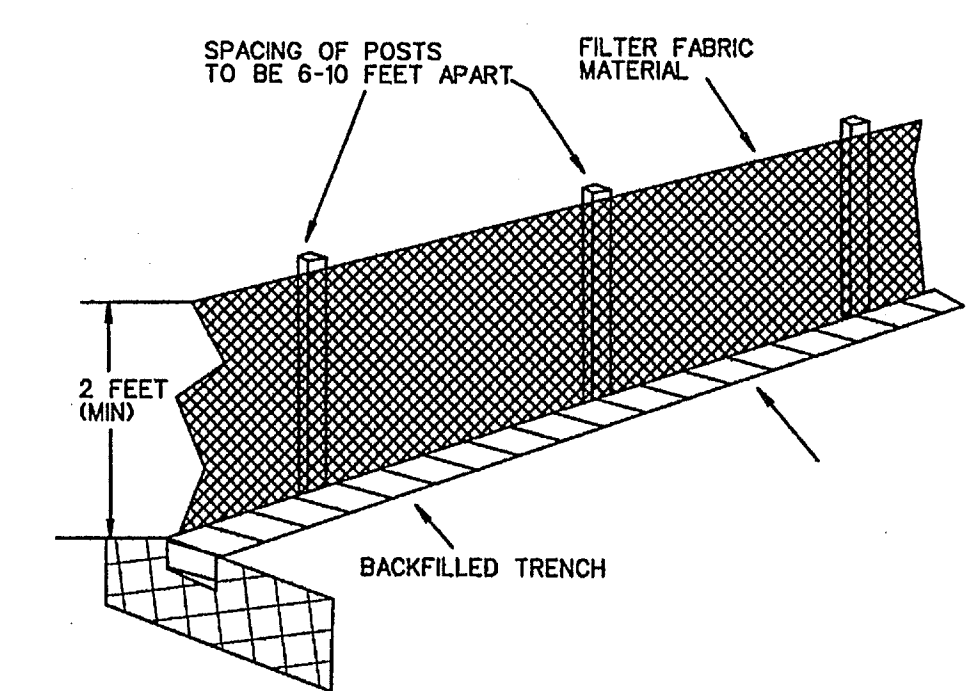


NOTE:
EXTEND FABRIC, FRAME AND FILTER STONE 12' BEYOND END OF INLET ON BOTH ENDS.

TYPE B CURB INLET PROTECTION

CONSTRUCTION SEQUENCE

1. GRADING CONTRACTOR TO INSTALL TEMPORARY STABILIZED ENTRANCE.
2. INSTALL SILT FENCE AS SHOWN, (ITS-600 POLY FELT) PER C.O.G.S. SPECIFICATIONS.
3. PERFORM GRADING AND UTILITY CONSTRUCTION.
4. AFTER THE INLET BOTTOMS ARE CONSTRUCTED, THE INLETS SHALL BE FILLED WITH STONE AND COVERED WITH A FILTER FABRIC (ITS-600 POLY FELT OR EQUIVALENT) BY UTILITY CONTRACTOR.
5. PRIOR TO CITY RELEASING PAVING, SOD OR SEEDED CURLEX SHALL BE INSTALLED ON SIDES AND BOTTOM OF ALL DETENTION PONDS.
6. AFTER PAVING AND COMPLETION OF INLETS, INLET FILTERS SHALL BE INSTALLED IN ALL INLETS AND MAINTAINED UNTIL RE-VEGETATION HAS BEEN COMPLETED BY PAVING CONTRACTOR.
7. SILT FENCE SHALL REMAIN IN PLACE UNTIL RE-VEGETATION HAS BEEN COMPLETED.
8. PAVING CONTRACTOR SHALL REMOVE TEMPORARY STABILIZED ENTRANCE.
9. PRIOR TO CITY ACCEPTANCE THE PAVING CONTRACTOR SHALL BE RESPONSIBLE FOR REMOVING ANY MUD OR SILT WHICH COLLECTS ON THE EXISTING AND NEW PAVEMENT AND INSTALLING SILT FENCE AT BACK OF CURB THROUGHOUT THE ENTIRE SITE.
10. 75%-80% OF ALL DISTURBED AREA TO HAVE A MINIMUM 1" STAND OF GRASS PRIOR TO ENGINEERING ACCEPTANCE.



FILTER FABRIC FENCE DETAIL

LEGEND

- SILT FENCE (BEFORE CONSTRUCTION) [Symbol]
- INLET PROTECTION [Symbol]

CORWIN ENGINEERING, INC.
200 W. BELMONT, SUITE E
ALLEN, TEXAS 75013 (972)396-1200
TBP# FIRM #5951

DEVELOPMENT PLANS FOR
**BREEZY HILL
PHASE III**
ROCKWALL, TEXAS

EROSION CONTROL PLAN

DRAWN BY	DESIGNED BY	CHECKED BY	SHEET NO.
JOB NUMBER	DATE	SCALE:	19 OF 20
14023	JULY 2014	1"=100'	