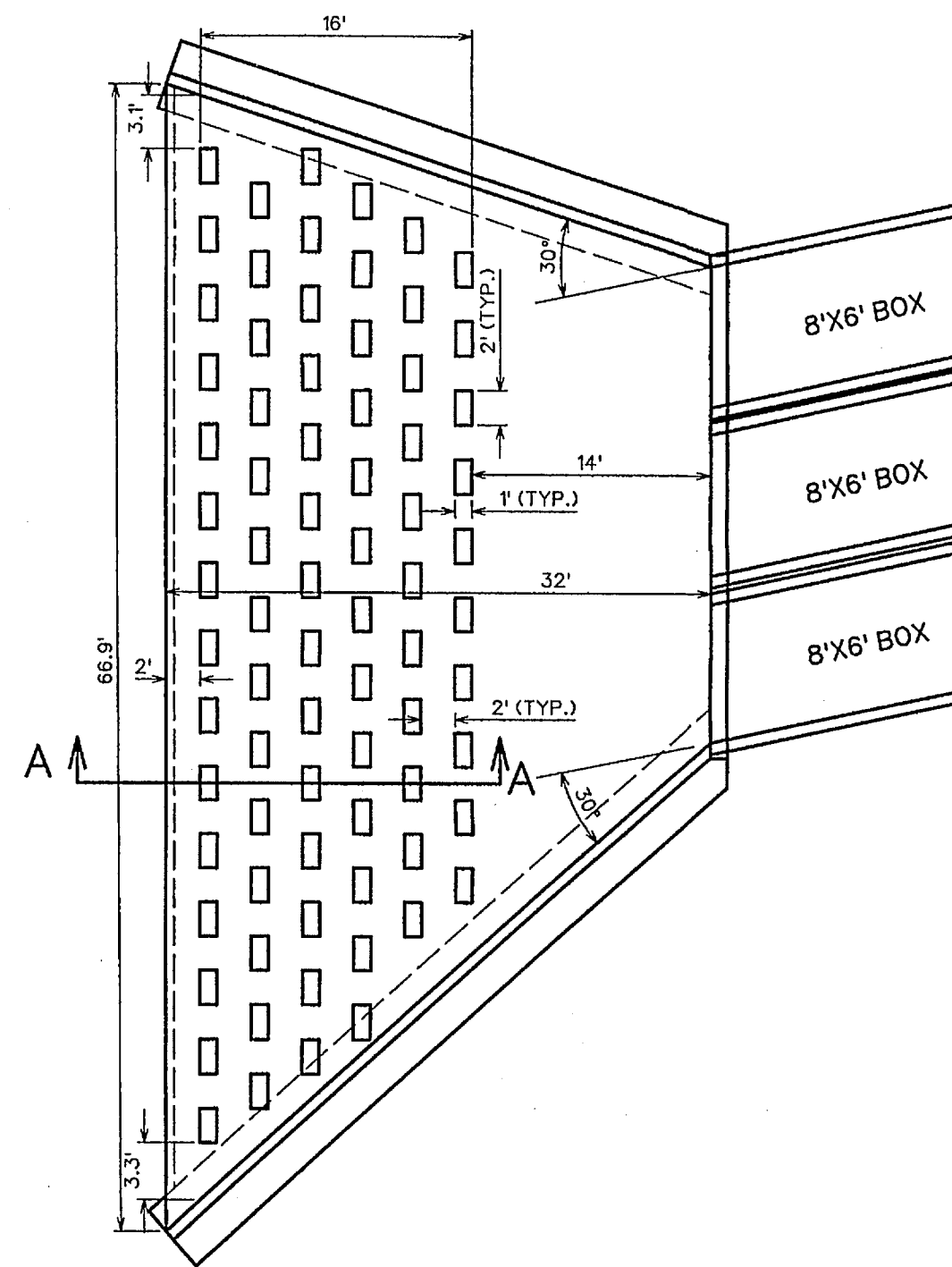
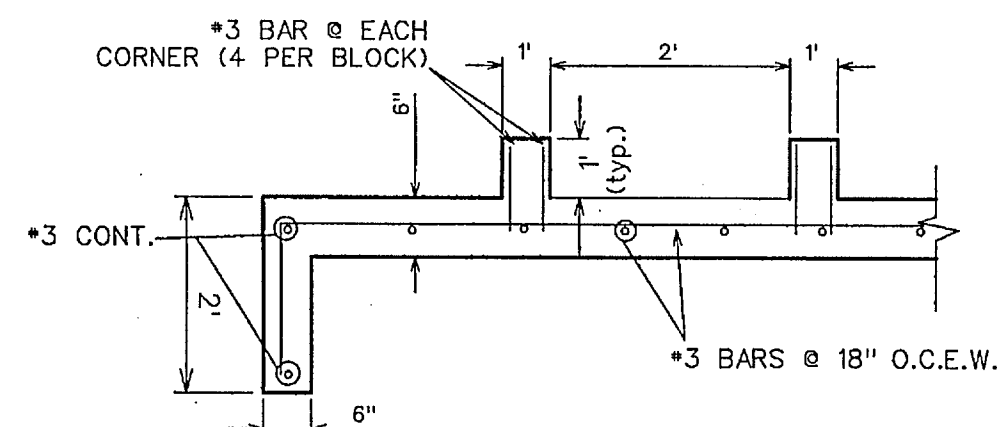


LINE 'D-3' FLOW CALCULATIONS

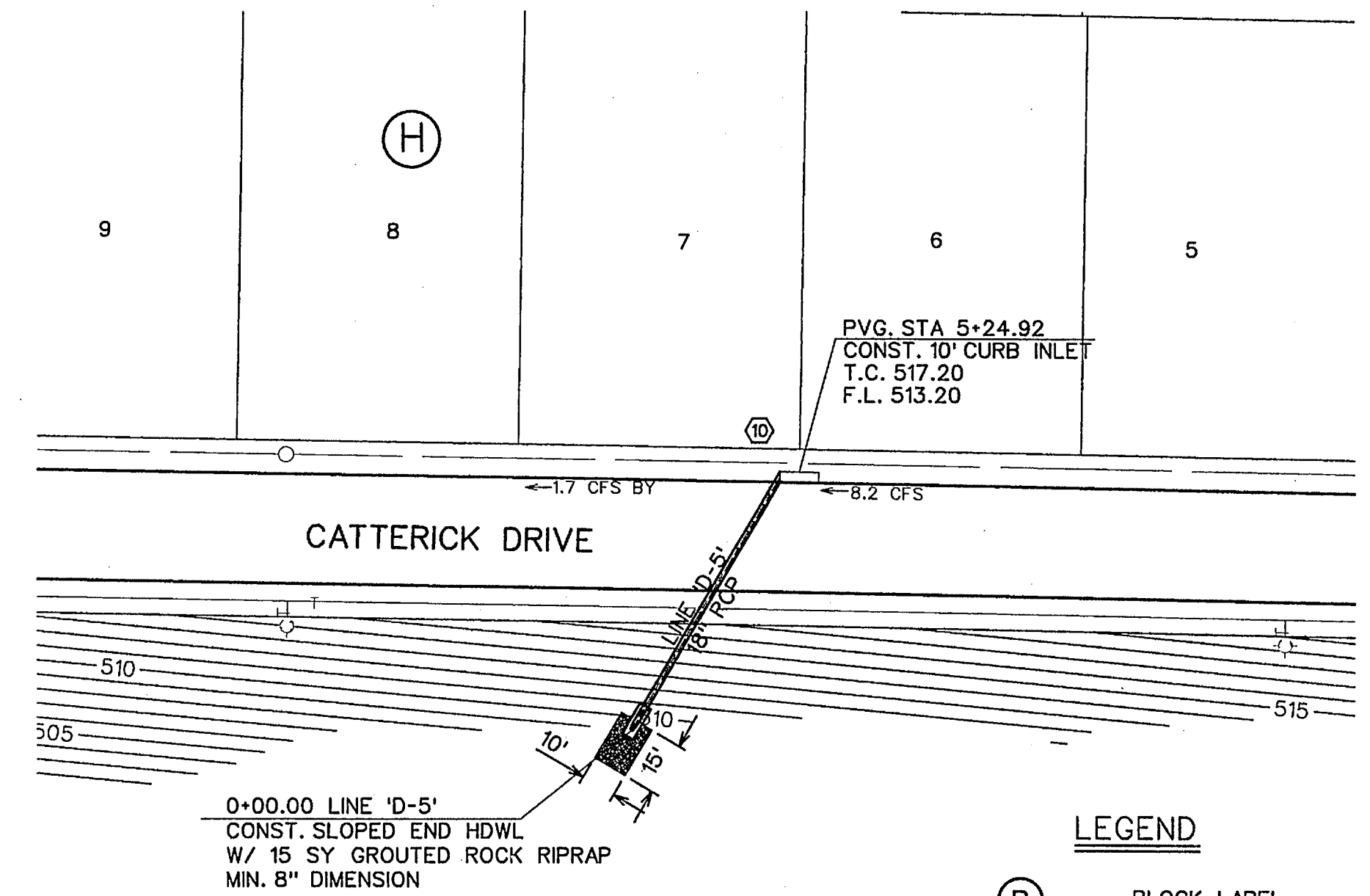
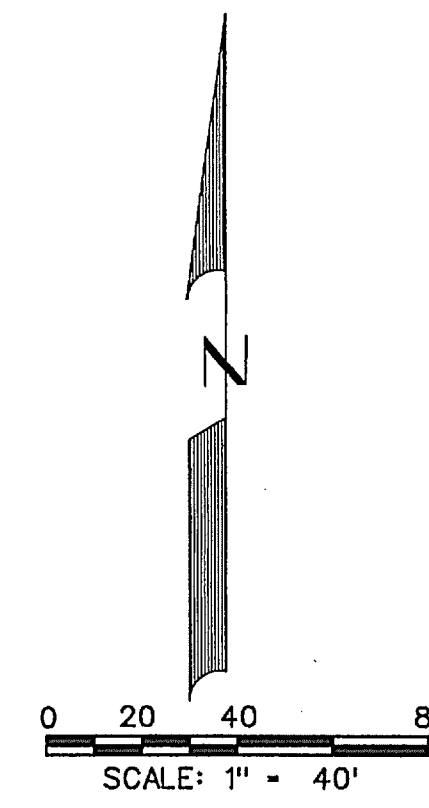
	Q	V	S	Qcap
North Barrel	(cfs)	(fps)	(ft/ft)	(cfs)
1+51.10-1+39.61	293.0	6.2	0.0014	1714.7
1+39.61-1+08.44	333.4	6.4	0.0015	1714.7
1+08.44-1+00.00	307.2	6.5	0.0015	1714.7
Middle Barrel	(cfs)	(fps)	(ft/ft)	(cfs)
1+51.10-1+00.00	293.0	6.2	0.0014	1714.7
South Barrel	(cfs)	(fps)	(ft/ft)	(cfs)
1+51.10-1+08.51	293.0	6.2	0.0014	1714.7
1+08.51-1+00.00	326.5	6.6	0.0015	1714.7



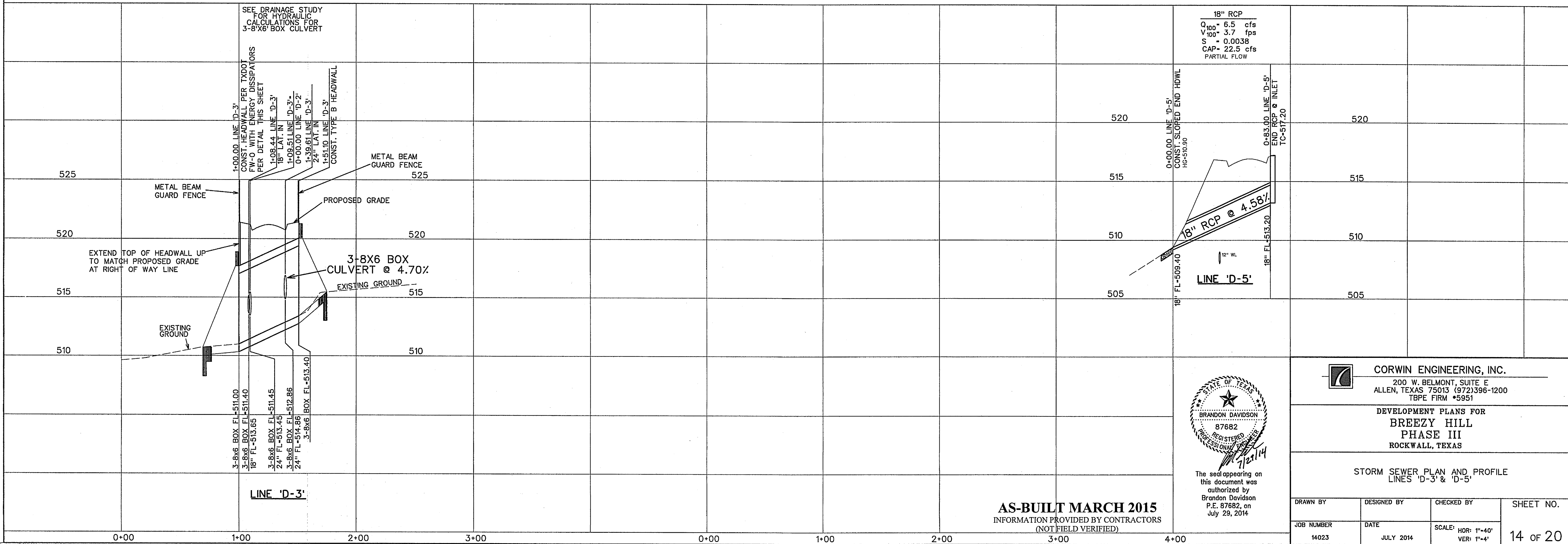
ENERGY DISSIPATORS



ENERGY DISSIPATORS SECTION 'A-A'



- LEGEND**
- (B) - BLOCK LABEL
 - (10) - INLET NUMBER
 - (1) - CURVE NUMBER
 - - SANITARY SEWER
 - ⊕ - WATER
 - ▬ - PROPOSED STORM SEWER
 - ▬▬▬ - EXISTING STORM SEWER



The seal appearing on this document was authorized by Brandon Davidson P.E. 87682, on July 29, 2014

CORWIN ENGINEERING, INC.
 200 W. BELMONT, SUITE E
 ALLEN, TEXAS 75013 (972)396-1200
 TBP FIRM #5951

**DEVELOPMENT PLANS FOR
 BREEZY HILL
 PHASE III
 ROCKWALL, TEXAS**

**STORM SEWER PLAN AND PROFILE
 LINES 'D-3' & 'D-5'**

AS-BUILT MARCH 2015
 INFORMATION PROVIDED BY CONTRACTORS
 (NOT FIELD VERIFIED)

DRAWN BY	DESIGNED BY	CHECKED BY	SHEET NO. 14 OF 20
JOB NUMBER 14023	DATE JULY 2014	SCALE: HOR: 1"=40' VER: 1"=4'	