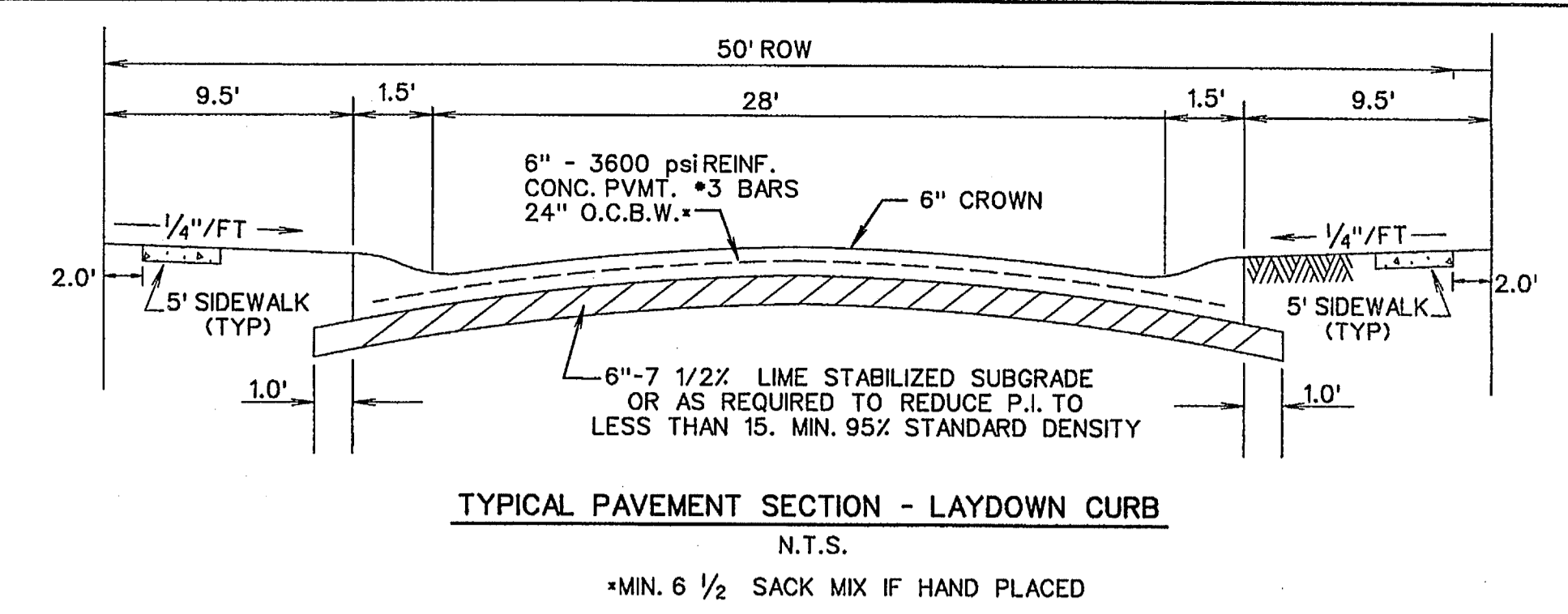
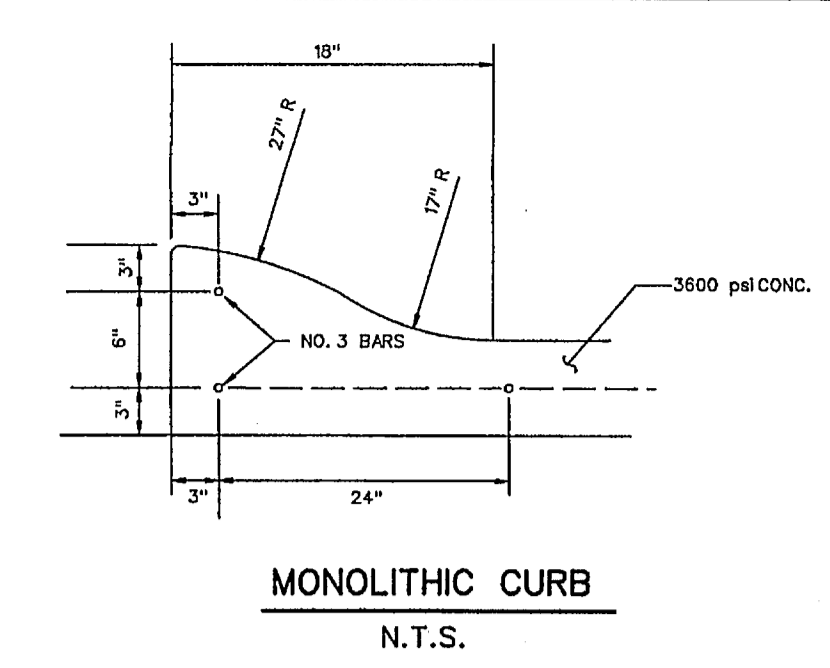
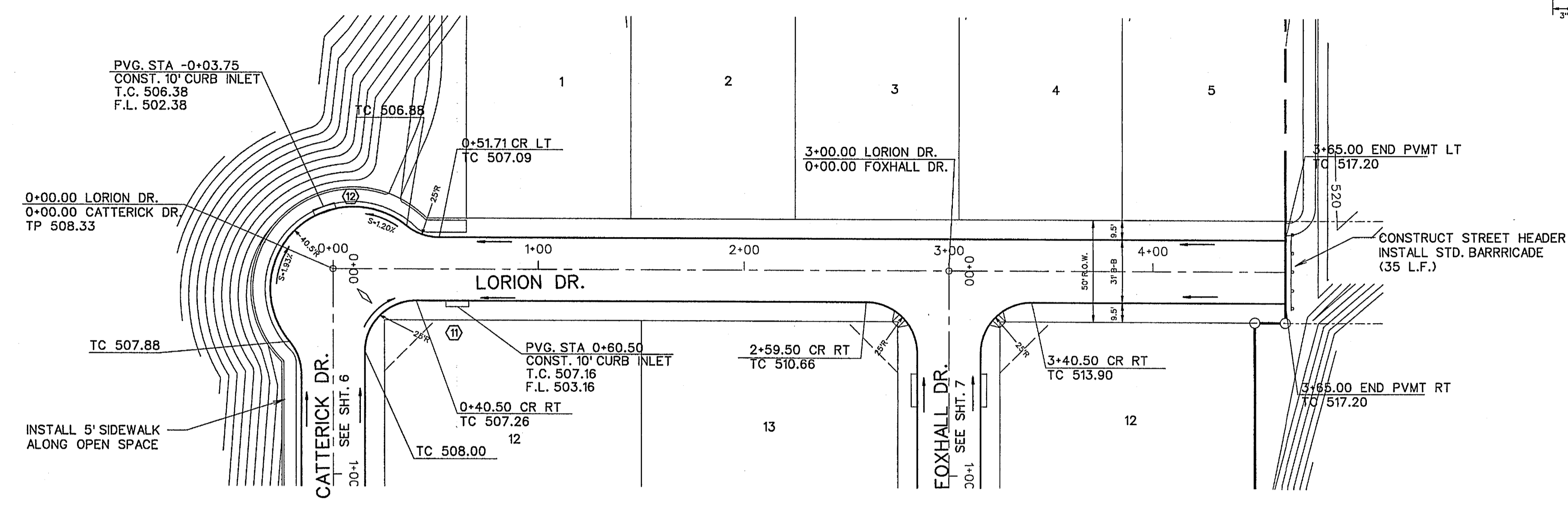
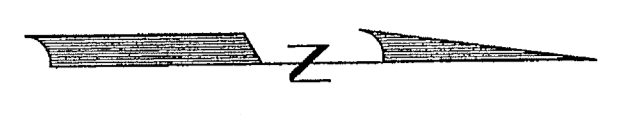
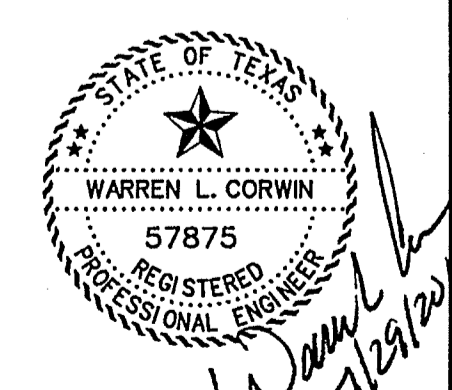
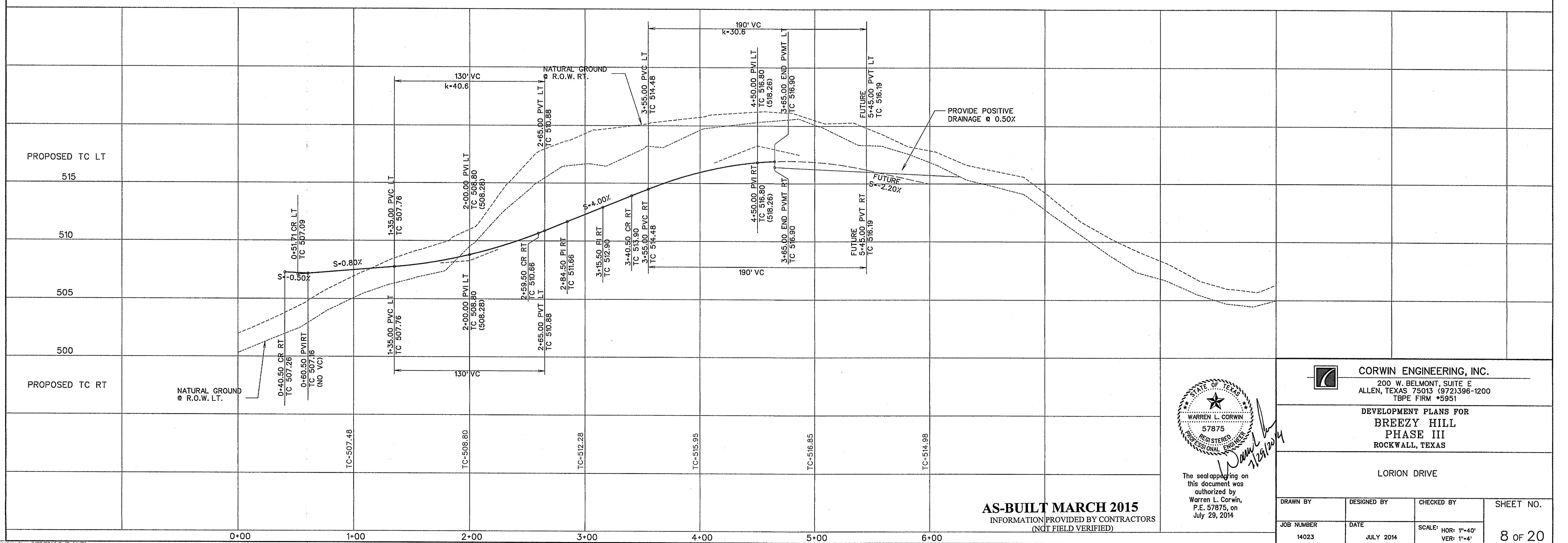
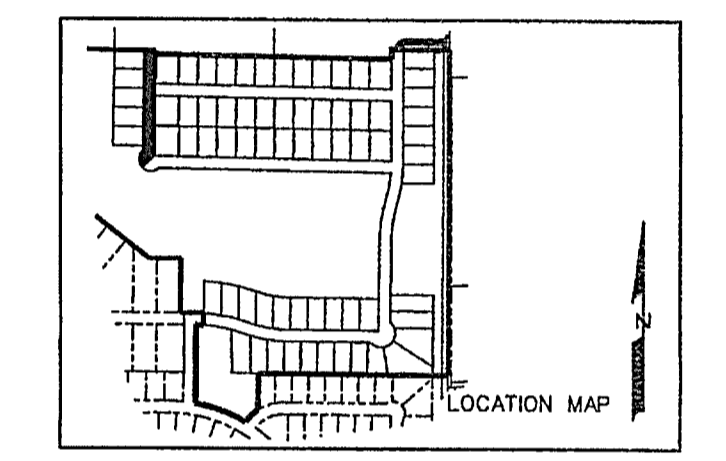


SCALE: 1" = 40'



◇ - STREET NAME CHANGE
◇ - BARRIER FREE RAMP



The seal appearing on this document was authorized by Warren L. Corwin, P.E. 57875, on July 29, 2014

CORWIN ENGINEERING, INC.
200 W. BELMONT, SUITE E
ALLEN, TEXAS 75013 (972)396-1200
TBE FIRM #5951

DEVELOPMENT PLANS FOR
**BREEZY HILL
PHASE III**
ROCKWALL, TEXAS

LORION DRIVE

AS-BUILT MARCH 2015
INFORMATION PROVIDED BY CONTRACTORS
(NOT FIELD VERIFIED)

DRAWN BY	DESIGNED BY	CHECKED BY	SHEET NO.
JOB NUMBER	DATE	SCALE: HOR: 1"=40' VER: 1"=4'	8 OF 20
14023	JULY 2014		