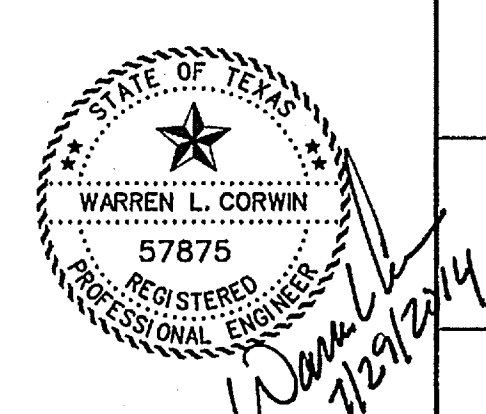
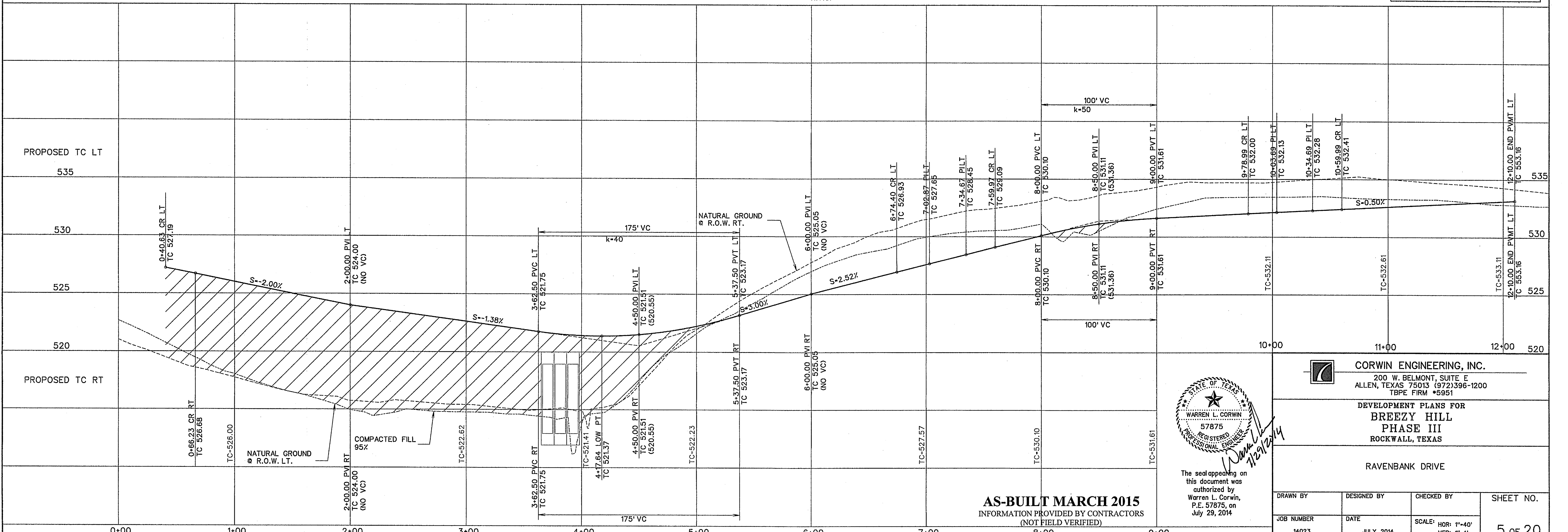
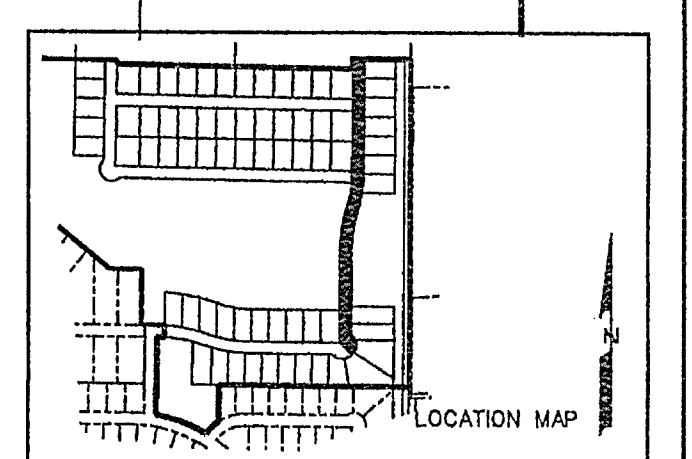
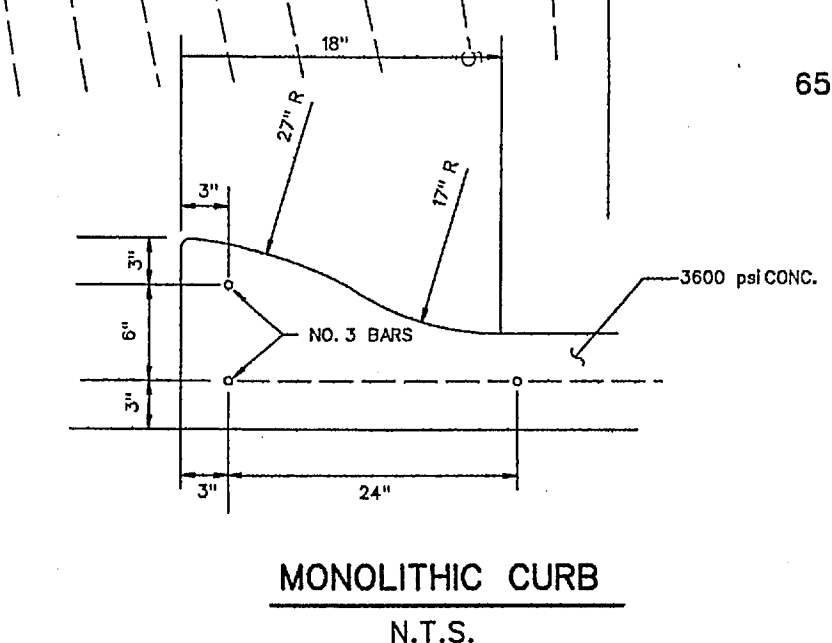
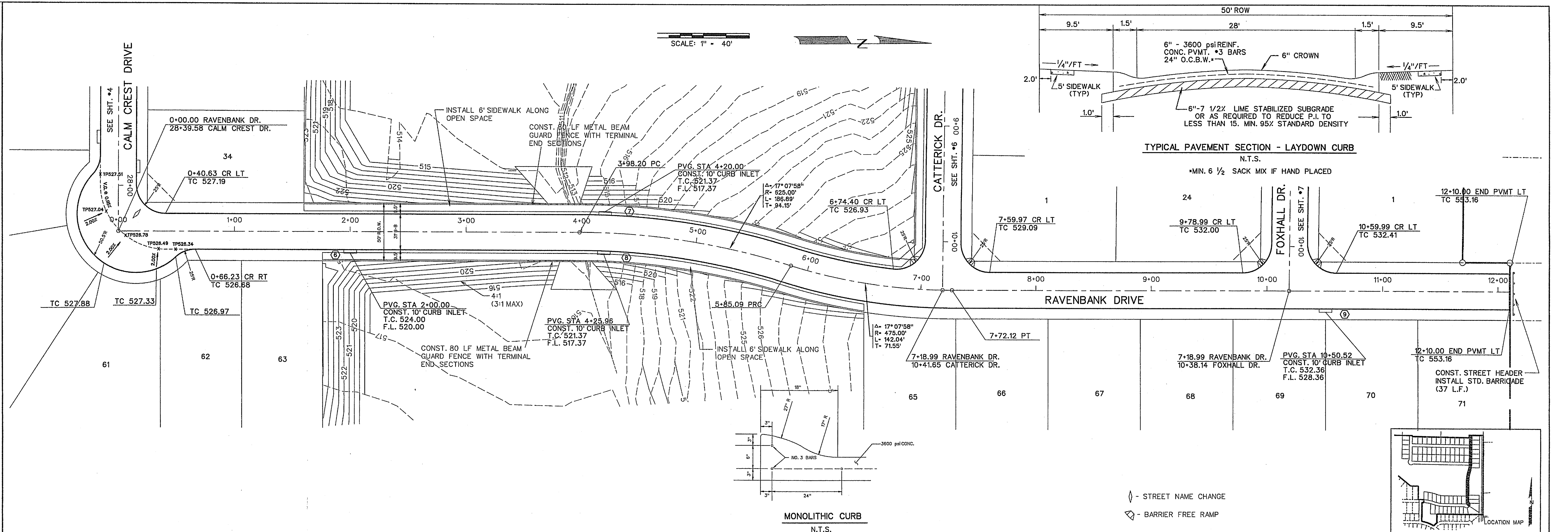


SCALE: 1" = 40'



The seal appearing on this document was authorized by Warren L. Corwin, P.E. 57875, on July 29, 2014.

**AS-BUILT MARCH 2015**  
INFORMATION PROVIDED BY CONTRACTORS (NOT FIELD VERIFIED)

**CORWIN ENGINEERING, INC.**  
200 W. BELMONT, SUITE E  
ALLEN, TEXAS 75013 (972)396-1200  
TBPE FIRM #5951

DEVELOPMENT PLANS FOR  
**BREEZY HILL**  
PHASE III  
ROCKWALL, TEXAS

RAVENBANK DRIVE

DRAWN BY	DESIGNED BY	CHECKED BY	SHEET NO.
14023	JULY 2014	SCALE: HOR: 1"=40' VER: 1"=4'	5 OF 20