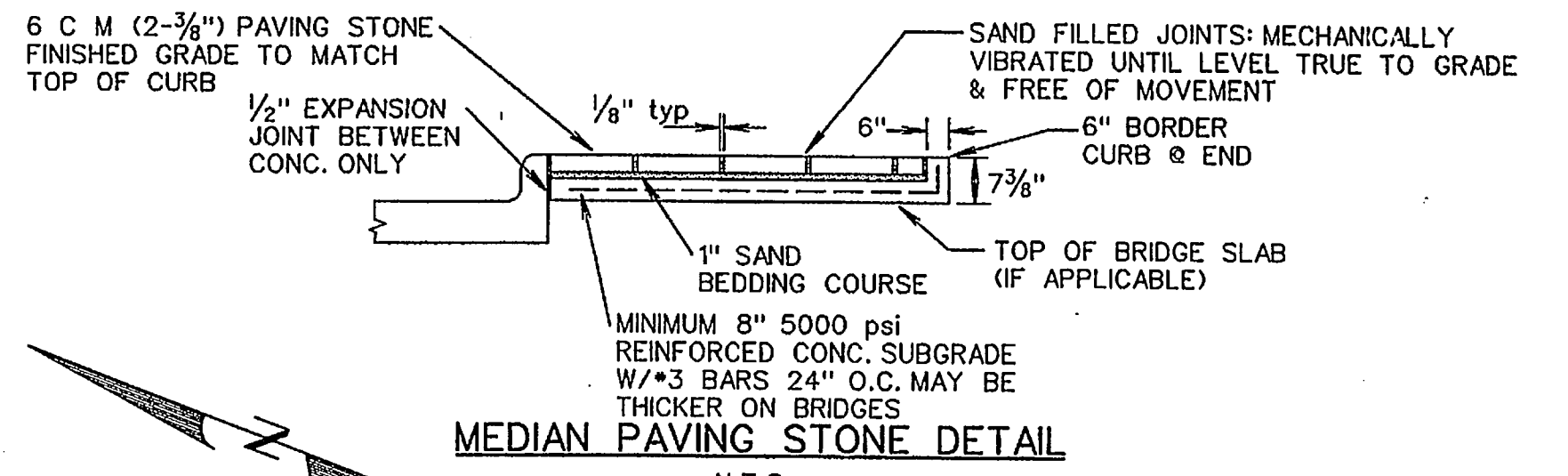
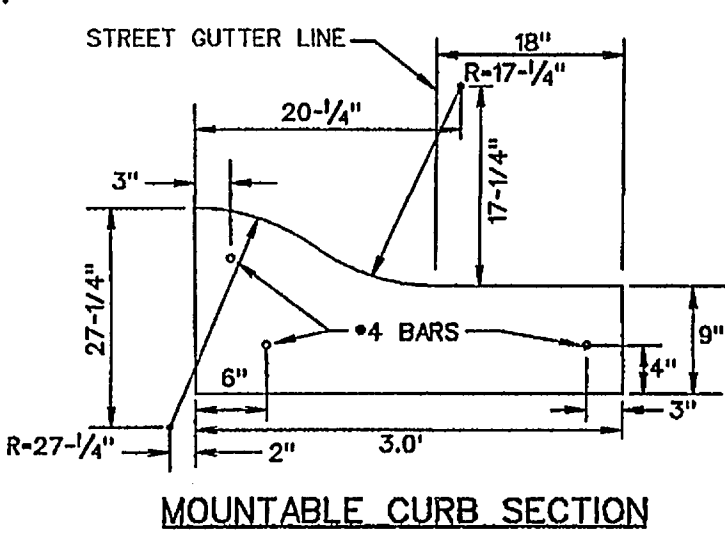
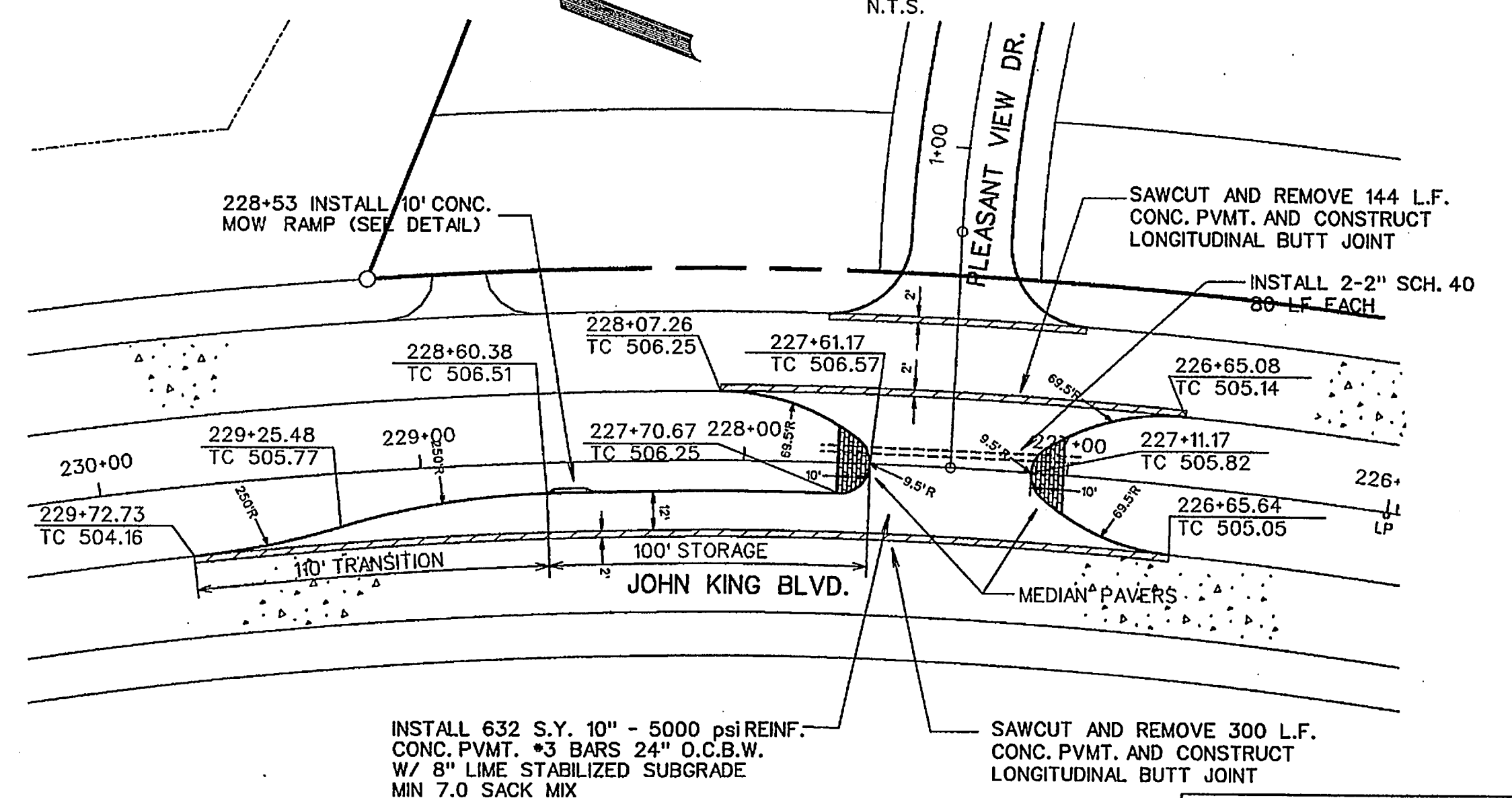
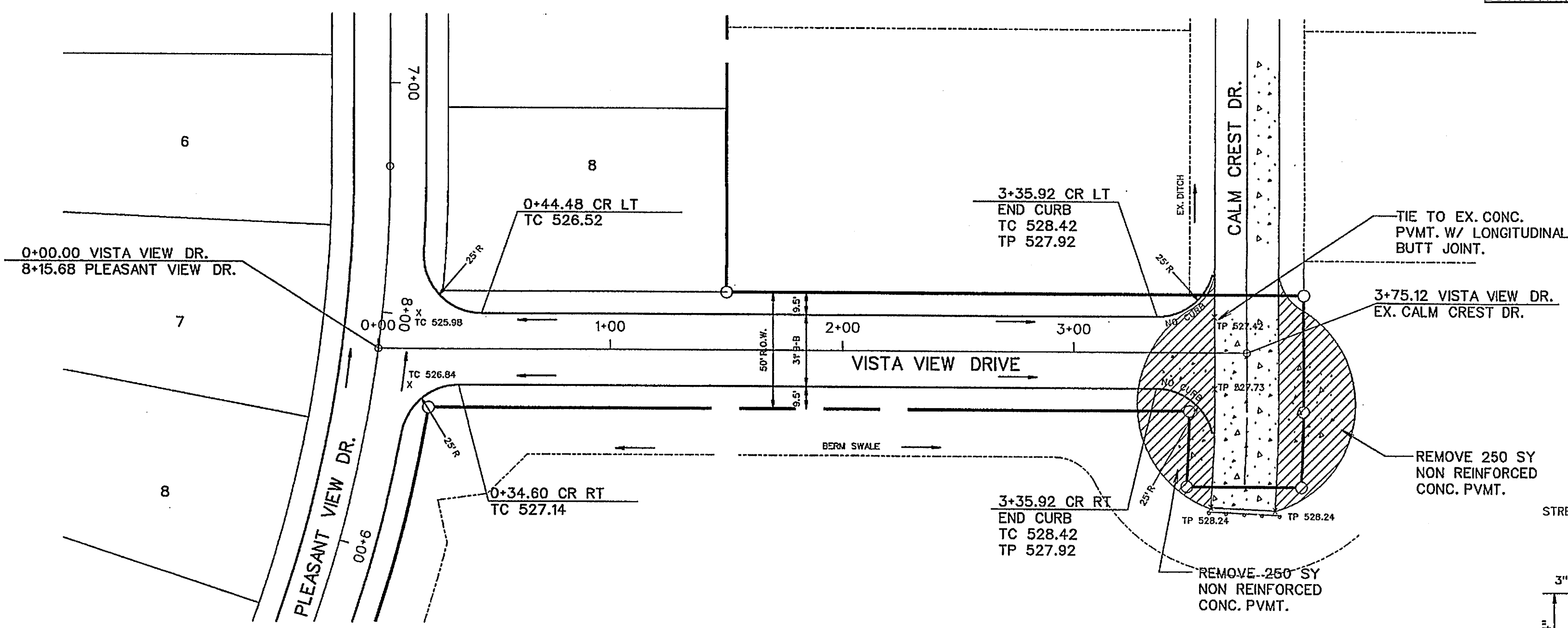


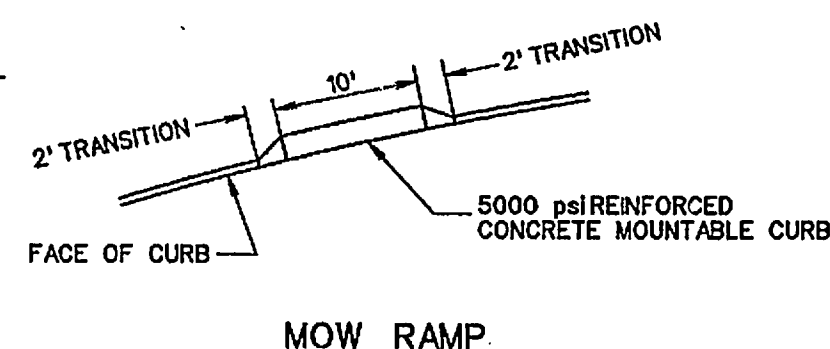
BUTTON TURN BAY LINE MARKING DETAIL
N.T.S.



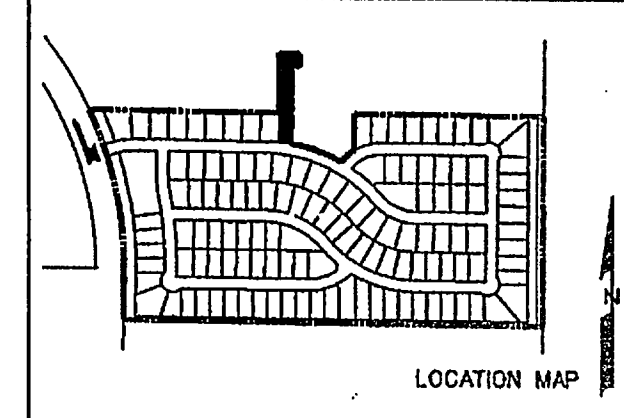
MEDIAN PAVING STONE DETAIL
N.T.S.



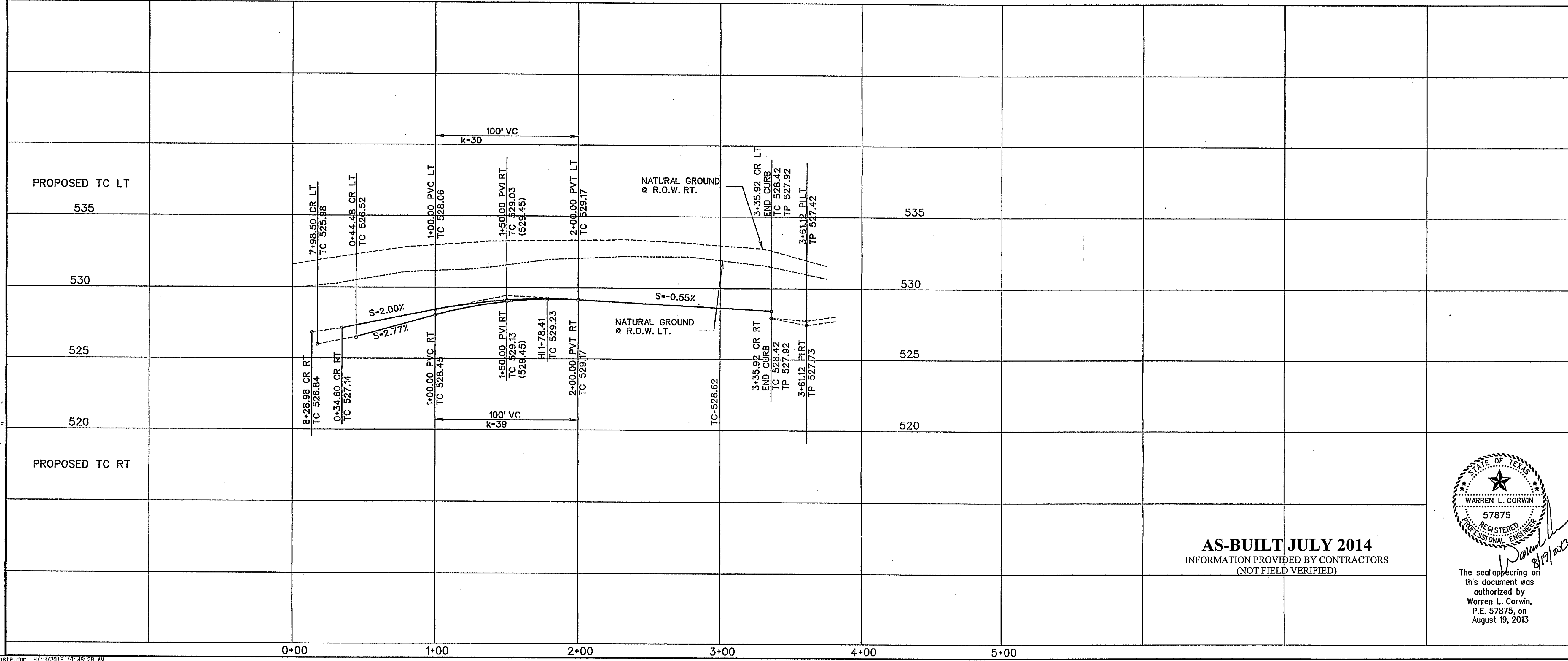
MOUNTABLE CURB SECTION



MOW RAMP



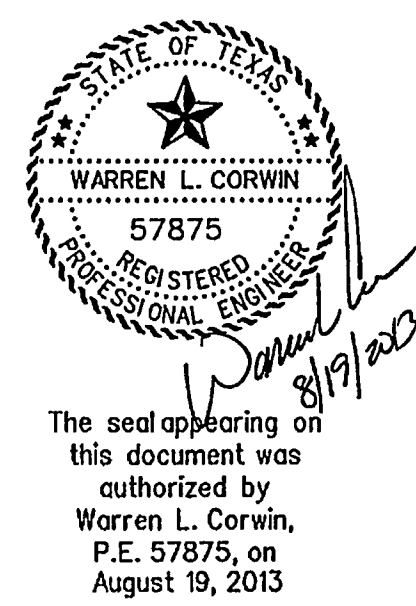
LOCATION MAP



RELEASED FOR CONSTRUCTION
ALL RESPONSIBILITY FOR ADEQUACY OF DESIGN
REMAINS WITH THE DESIGN ENGINEER. THE CITY
OF ROCKWALL, IN REVIEWING AND RELYSING
PLANS FOR CONSTRUCTION, ASSUMES NO
RESPONSIBILITY FOR ADEQUACY OR ACCURACY
OF DESIGN.

CITY _____ DATE _____

AS-BUILT JULY 2014
INFORMATION PROVIDED BY CONTRACTORS
(NOT FIELD VERIFIED)



CORWIN ENGINEERING, INC.
200 W. BELMONT, SUITE E
ALLEN, TEXAS 75013 (972) 396-1200
TBP# FIRM #5951

DEVELOPMENT PLANS FOR
BREEZY HILL
PHASE 2
ROCKWALL, TEXAS

VISTA VIEW DRIVE
TURN LANE

DRAWN BY	DESIGNED BY	CHECKED BY	SHEET NO.
JOB NUMBER	DATE	SCALE: HOR: 1"=40' VER: 1"=4'	9 of 25
13022	MAY 2013		