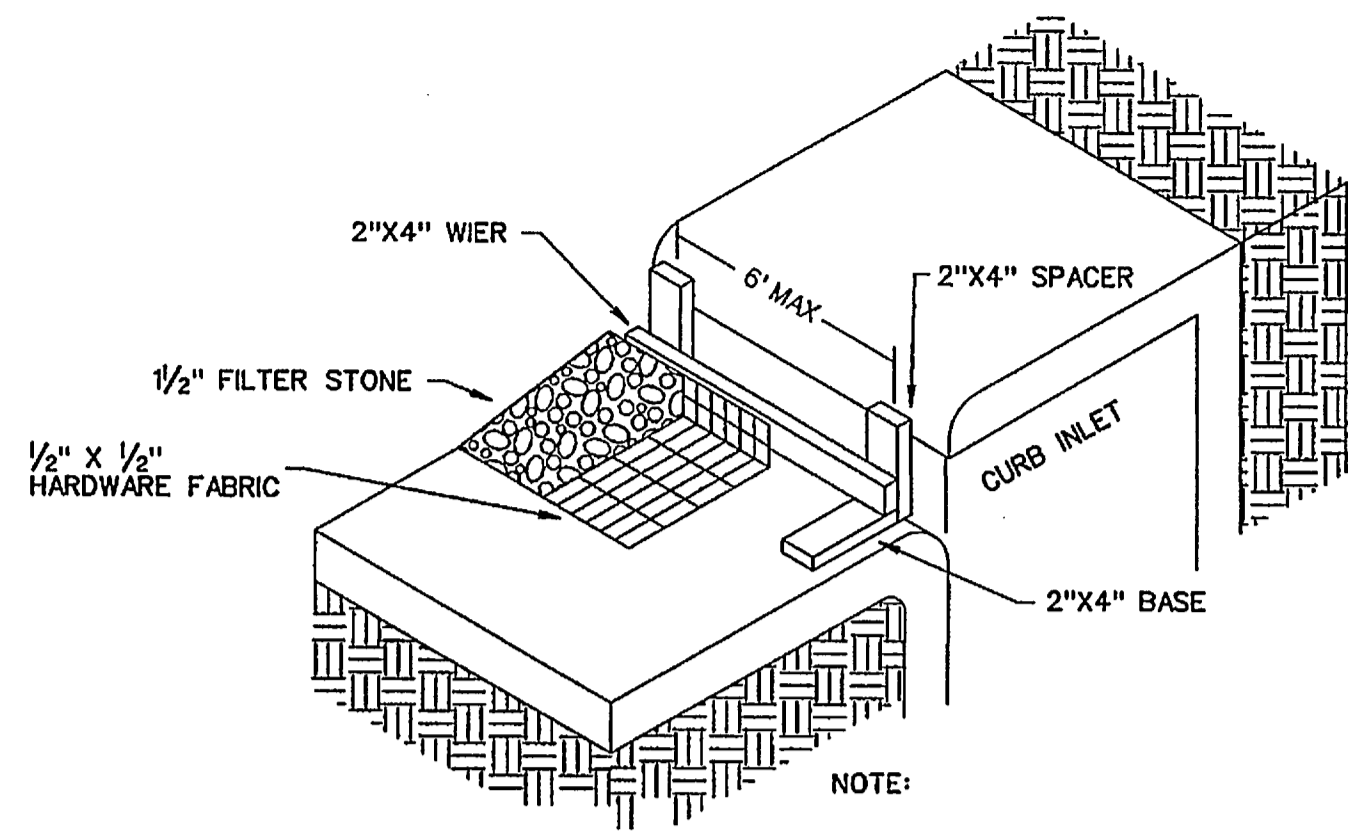


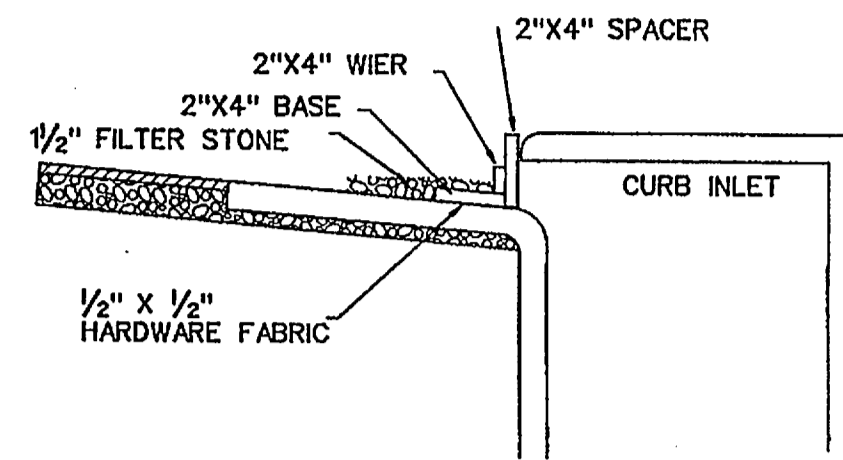
CONSTRUCTION SEQUENCE

1. GRADING CONTRACTOR TO INSTALL TEMPORARY STABILIZED ENTRANCE.
2. INSTALL SILT FENCE AS SHOWN, (TS-600 POLY FELT) PER C.O.G. SPECIFICATIONS.
3. PERFORM GRADING AND UTILITY CONSTRUCTION.
4. AFTER THE INLET BOTTOMS ARE CONSTRUCTED, THE INLETS SHALL BE FILLED WITH STONE AND COVERED WITH A FILTER FABRIC (TS-600 POLY FELT OR EQUIVALENT) BY UTILITY CONTRACTOR.
5. PRIOR TO CITY RELEASING PAVING, SOD OR SEEDED CURLEX SHALL BE INSTALLED ON SIDES AND BOTTOM OF ALL DETENTION PONDS.
6. AFTER PAVING AND COMPLETION OF INLETS, INLET FILTERS SHALL BE INSTALLED IN ALL INLETS AND MAINTAINED UNTIL RE-VEGETATION HAS BEEN COMPLETED BY PAVING CONTRACTOR.
7. SILT FENCE SHALL REMAIN IN PLACE UNTIL RE-VEGETATION HAS BEEN COMPLETED.
8. PAVING CONTRACTOR SHALL REMOVE TEMPORARY STABILIZED ENTRANCE.
9. PRIOR TO CITY ACCEPTANCE THE PAVING CONTRACTOR SHALL BE RESPONSIBLE FOR REMOVING ANY MUD OR SILT WHICH COLLECTS ON THE EXISTING AND NEW PAVEMENT.

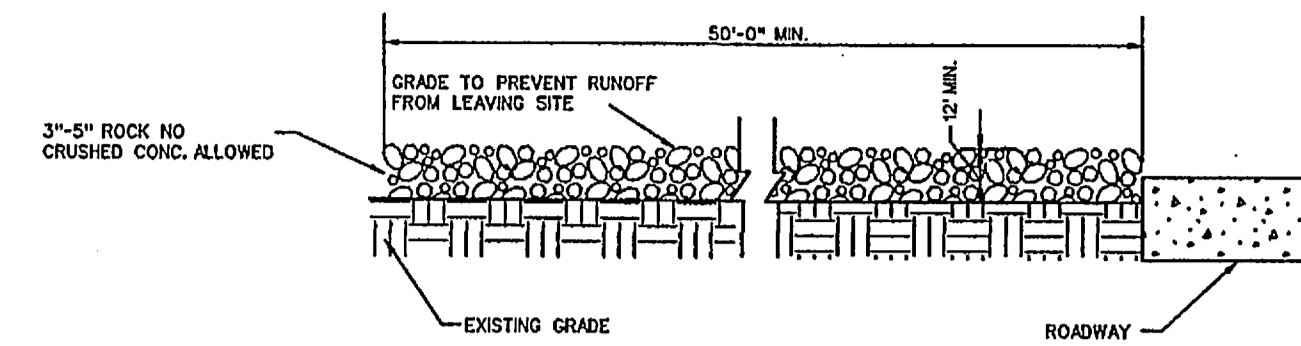
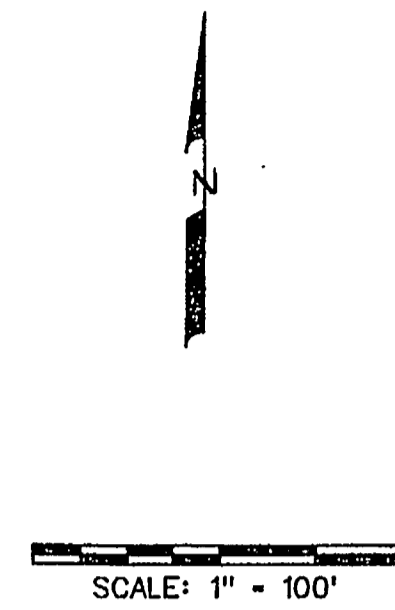


NOTE:
EXTEND FABRIC, FRAME AND FILTER STONE 12' BEYOND END OF INLET ON BOTH ENDS.

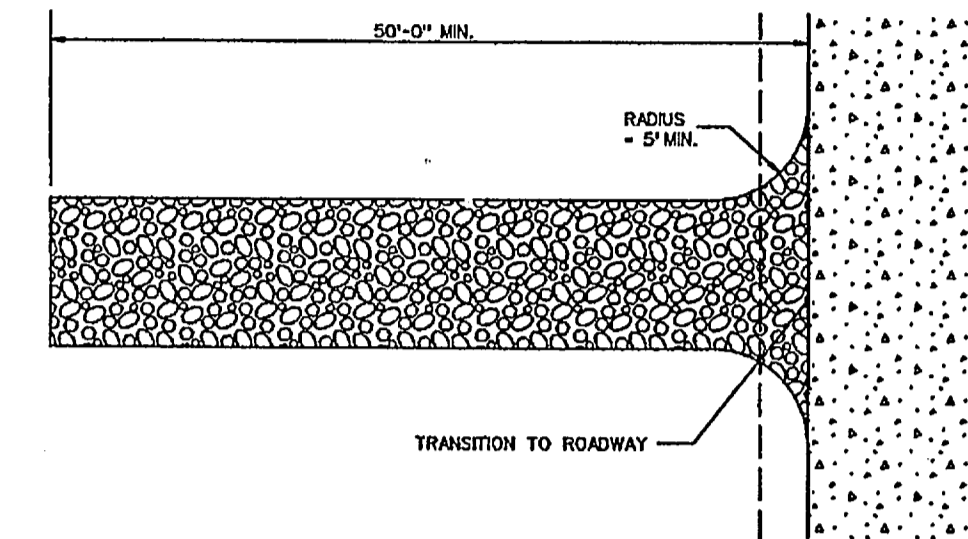
TYPE B CURB INLET PROTECTION



INLET SECTION

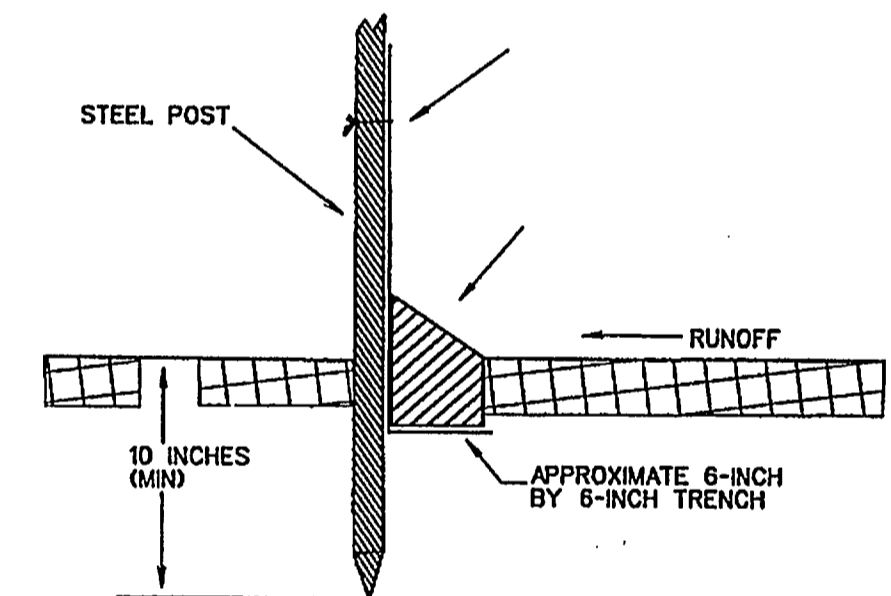
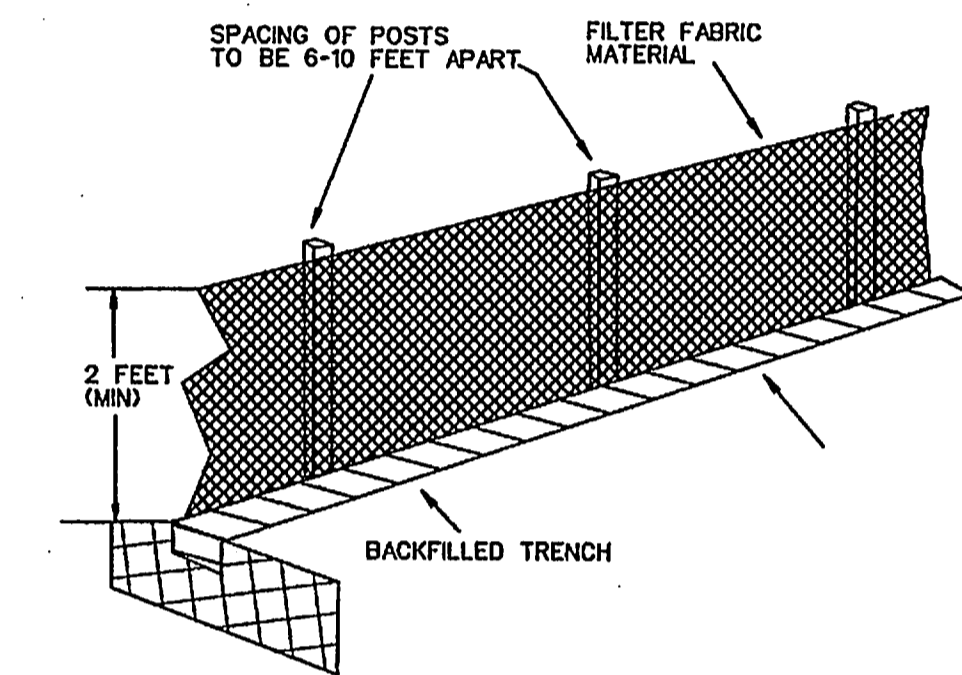


PROFILE

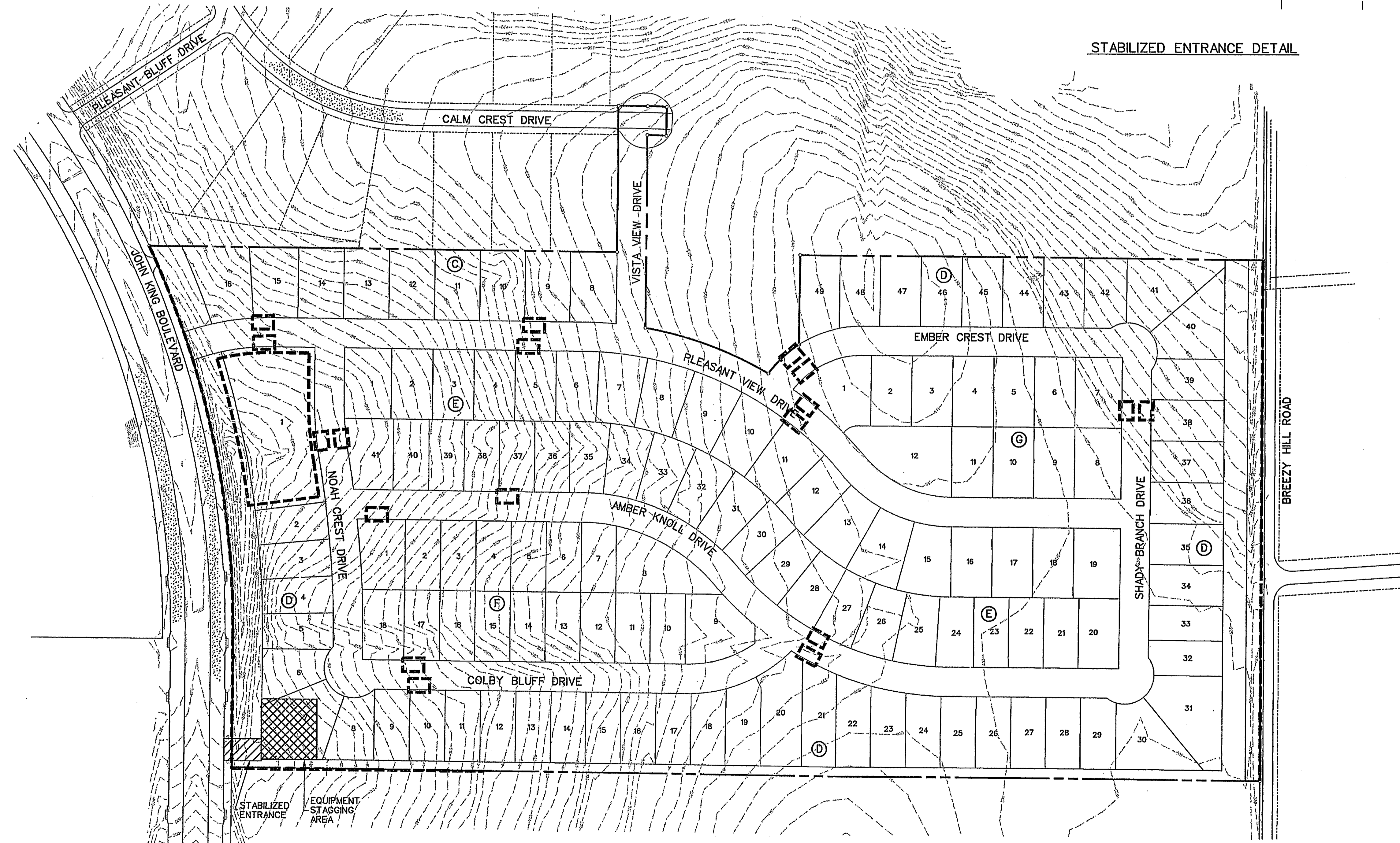


PLAN VIEW

STABILIZED ENTRANCE DETAIL



FILTER FABRIC FENCE DETAIL



LEGEND

RELEASED FOR CONSTRUCTION
ALL RESPONSIBILITY FOR ADEQUACY OF DESIGN
(BEFORE CONSTRUCTION) WITH THE DESIGNER, THE CITY
OF ROCKWALL, IN REVIEWING AND RELEASING
PLANS FOR CONSTRUCTION, ASSUMES NO
RESPONSIBILITY FOR ADEQUACY OR ACCURACY
OF DESIGN.

CITY _____ DATE _____

CORWIN ENGINEERING, INC.			
200 W. BELMONT, SUITE E ALLEN, TEXAS 75013 (972)396-1200 TBP FIRM #5951			
DEVELOPMENT PLANS FOR BREEZY HILL PHASE 2 ROCKWALL, TEXAS			
EROSION CONTROL PLAN			
DRAWN BY	DESIGNED BY	CHECKED BY	SHEET NO.
JOB NUMBER	DATE	SCALE	25 of 25
13022	MAY 2013	1"=100'	

AS-BUILT JULY 2014
INFORMATION PROVIDED BY CONTRACTORS
(NOT FIELD VERIFIED)