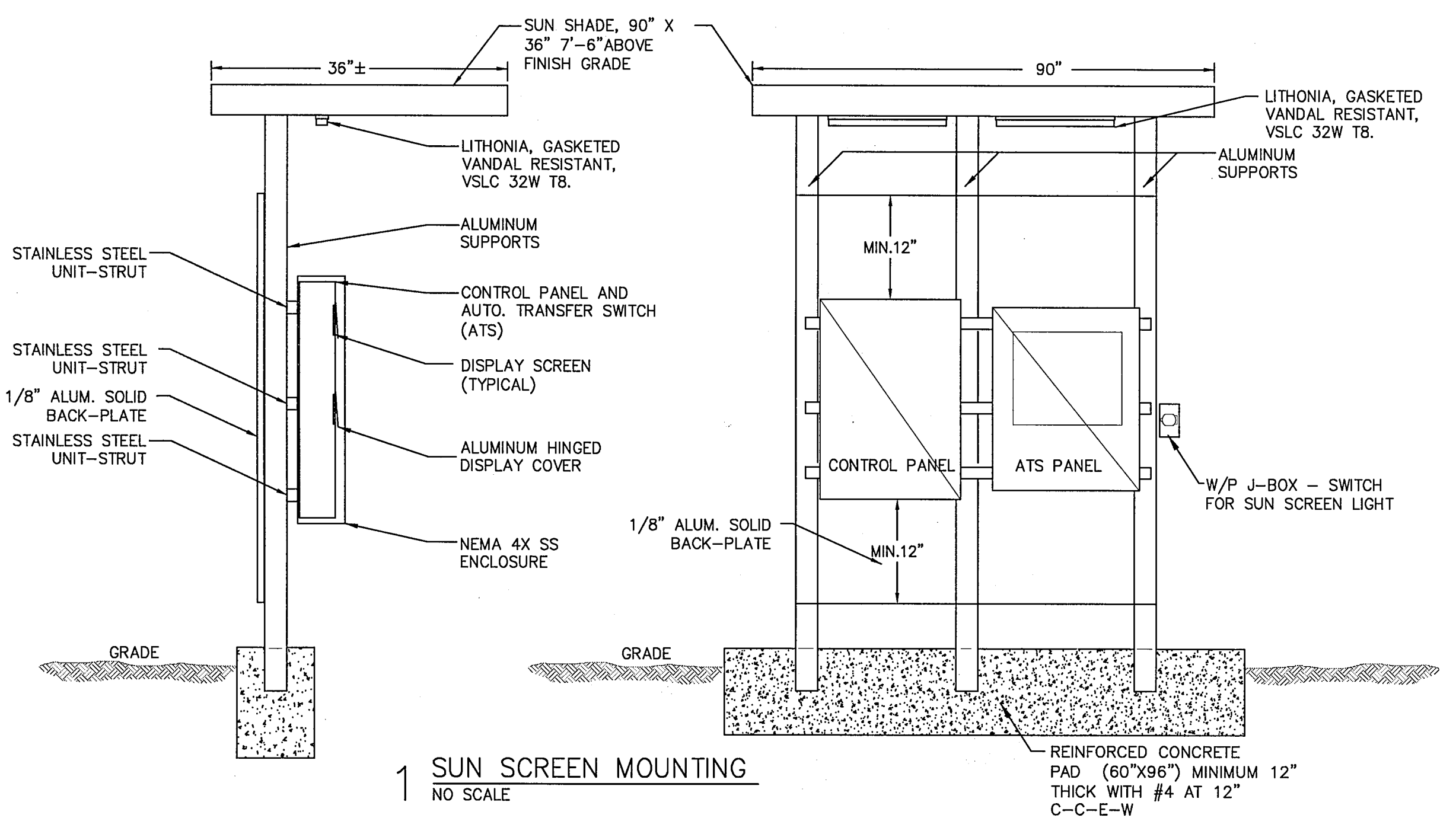
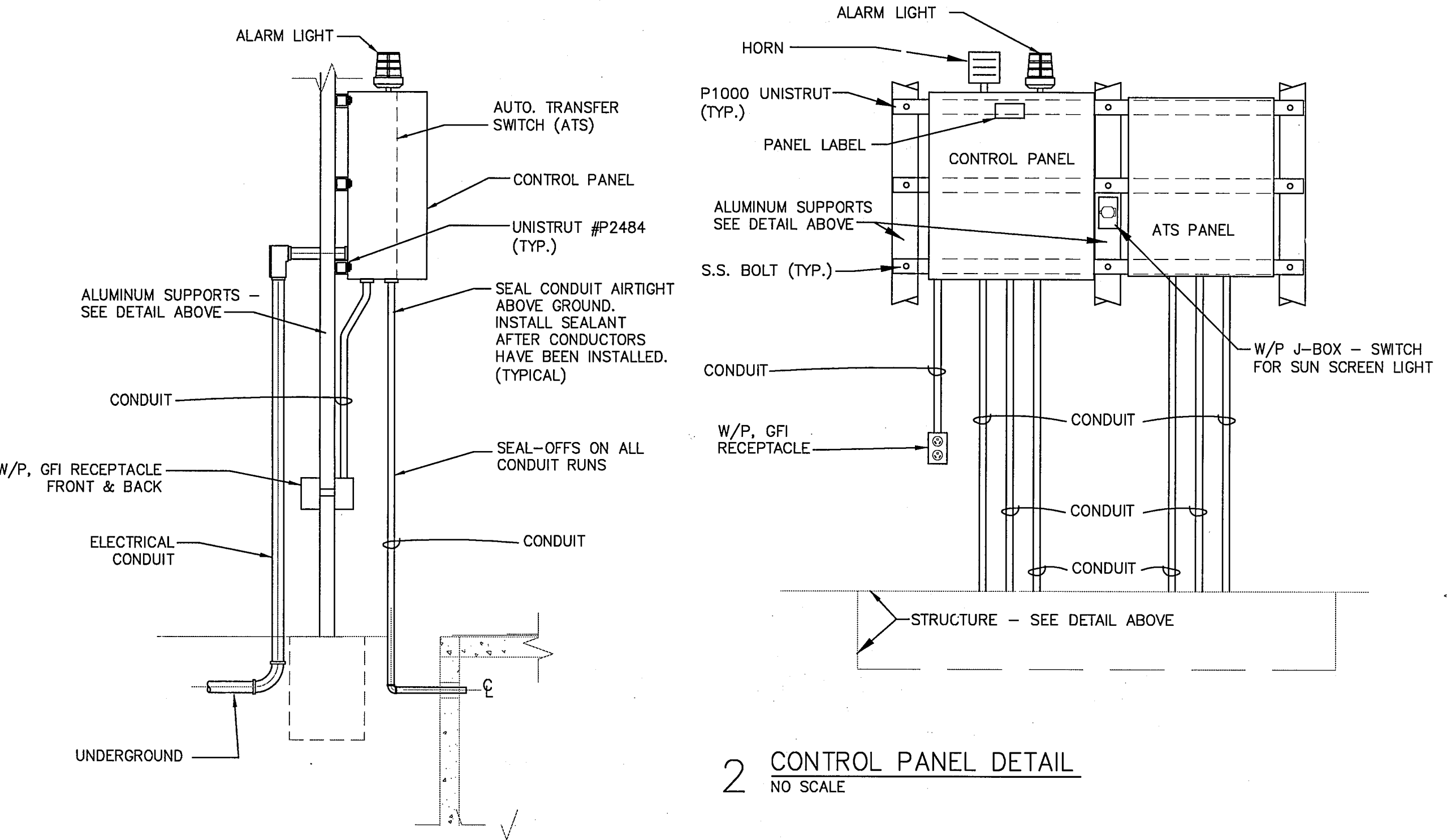


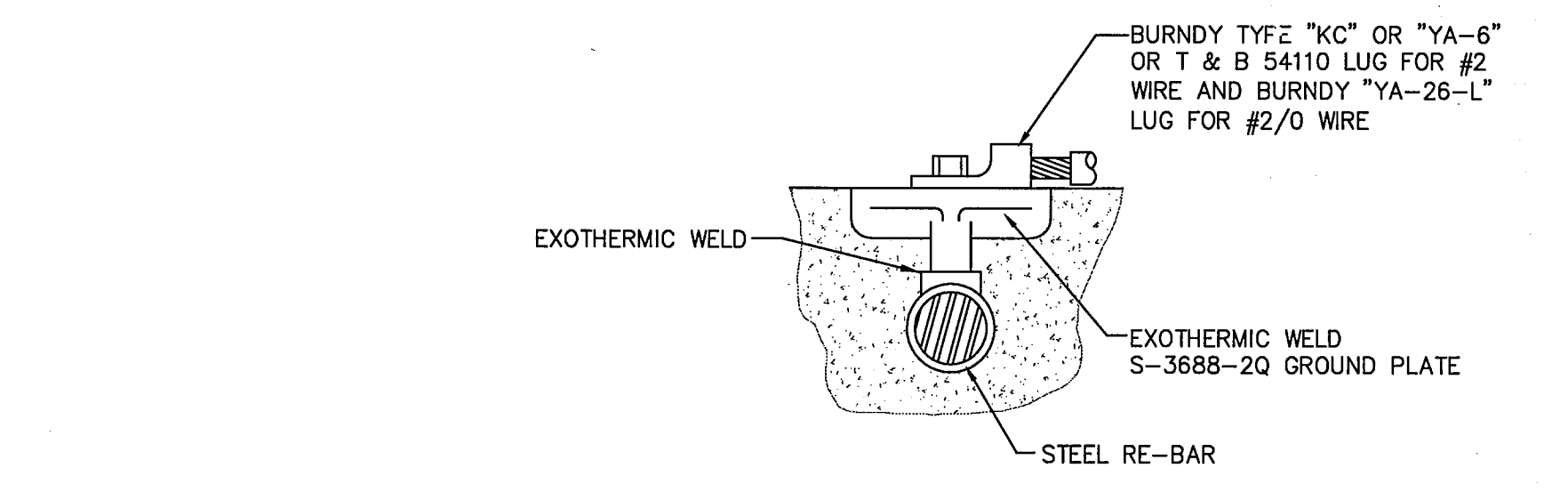
Y:\ACTIVE\PROJECTS\ACTIVE-DATA\CURRENT-PROJ\ECIS\Perkins-Rockwall-LS-Breezy-Hill-2012\CAD\CAD\BreezyHill-Lit-Station.dwg May 15, 2013 - 10:13am User: TommyT



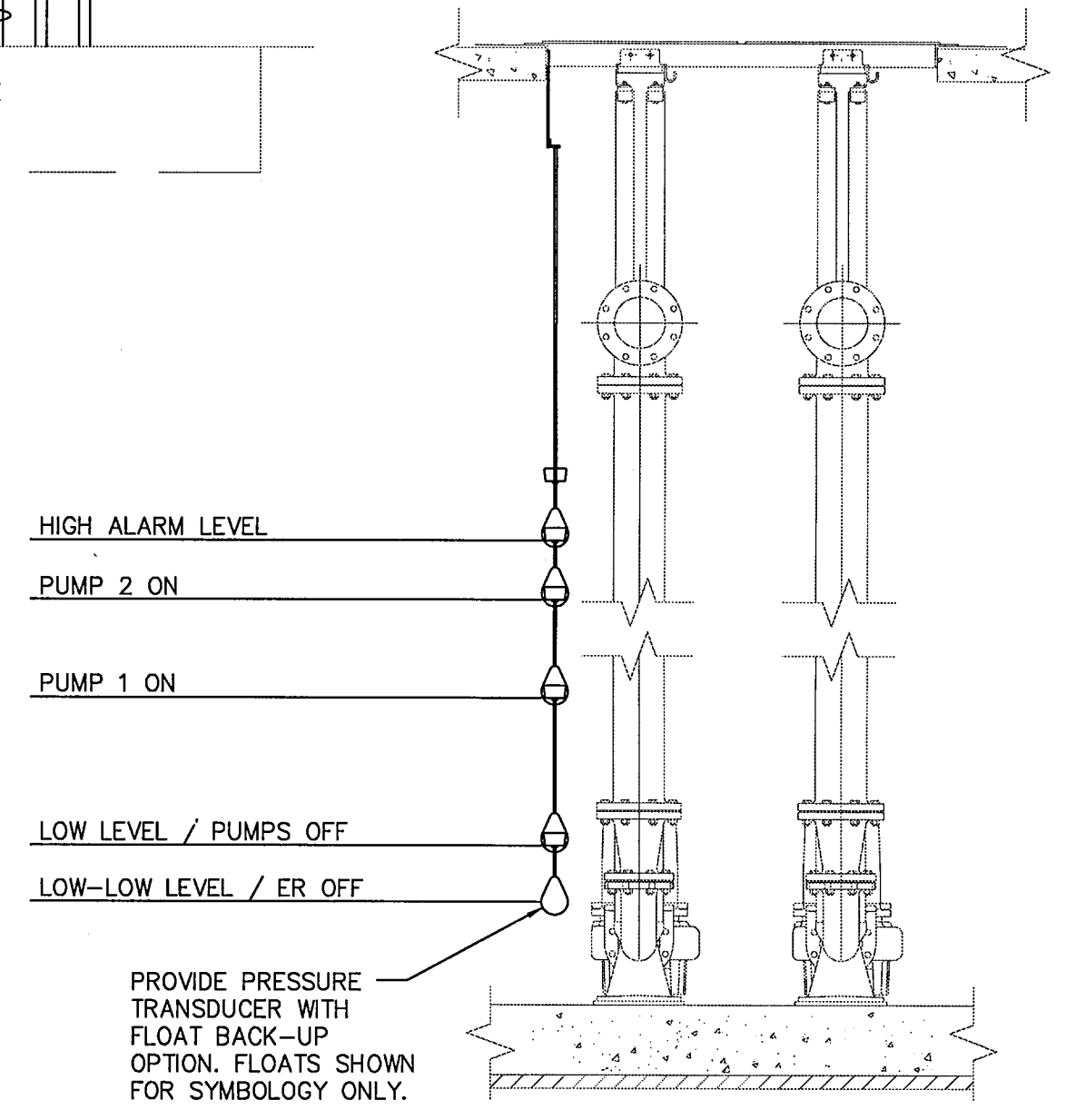
1 SUN SCREEN MOUNTING
NO SCALE



2 CONTROL PANEL DETAIL
NO SCALE



3 GROUNDING PAD IN SLAB DETAIL
NO SCALE

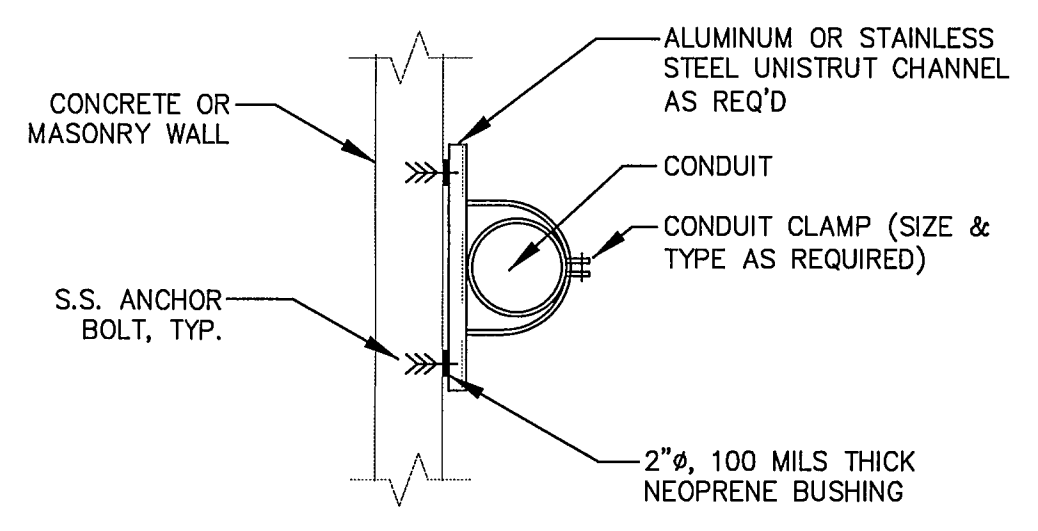


4 ELECTRICAL SECTION- WET WELL
NO SCALE

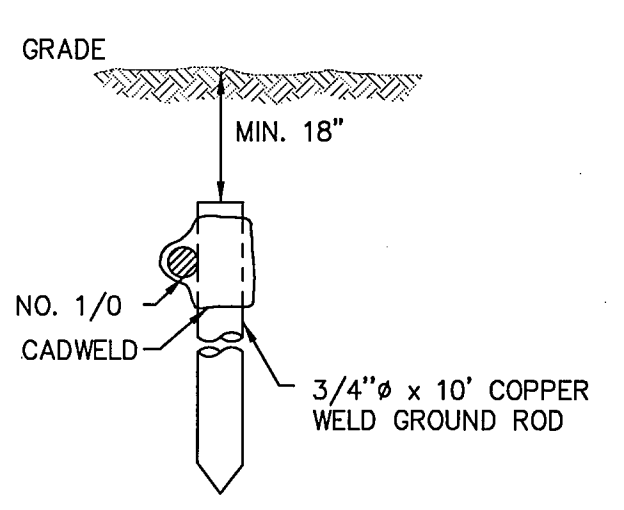
BAR IS ONE INCH IN LENGTH ON ORIGINAL DRAWING. CHECK SCALE AND ADJUST ACCORDINGLY.
ONE INCH

GROUNDING NOTES BY SYMBOL "O"

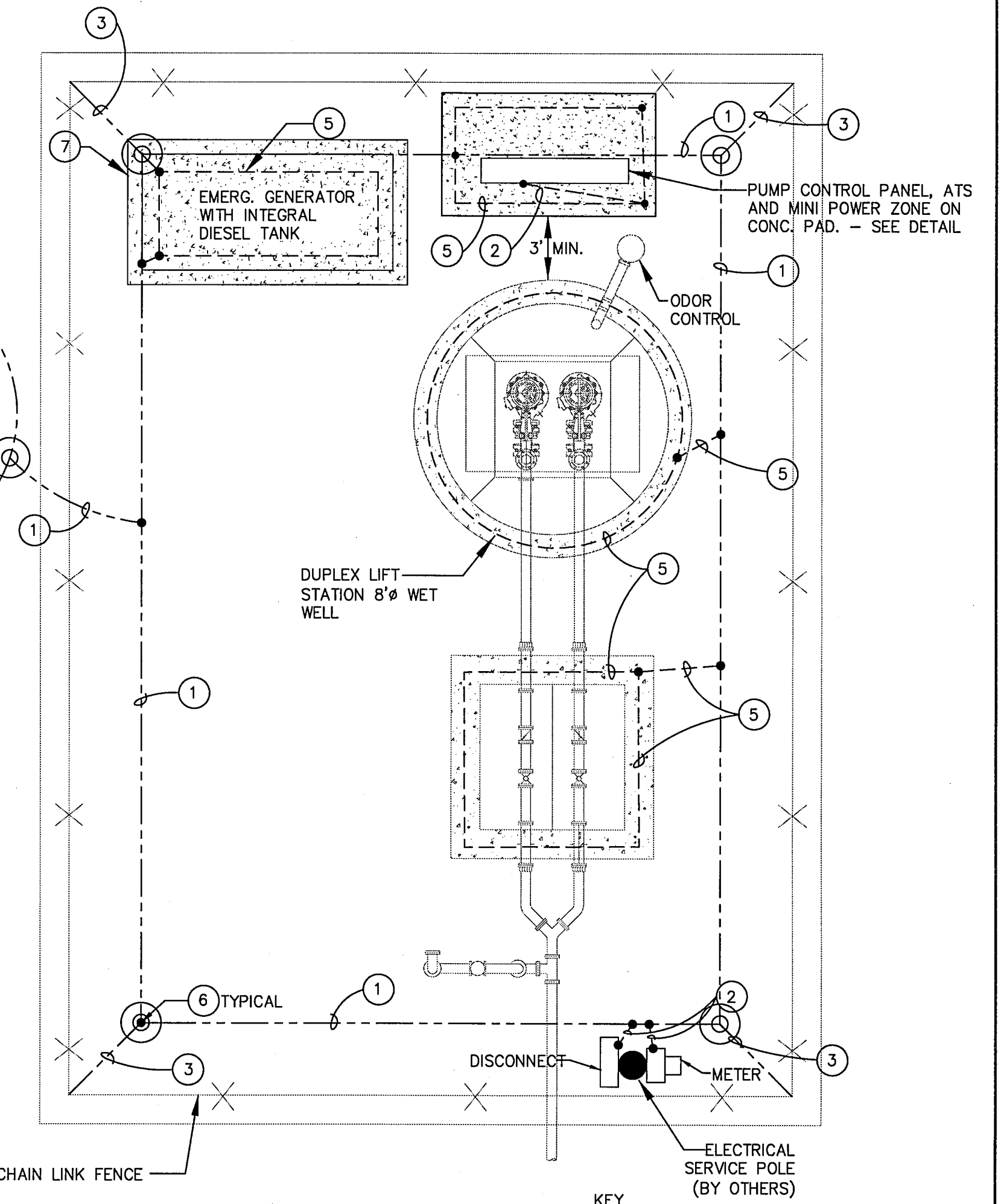
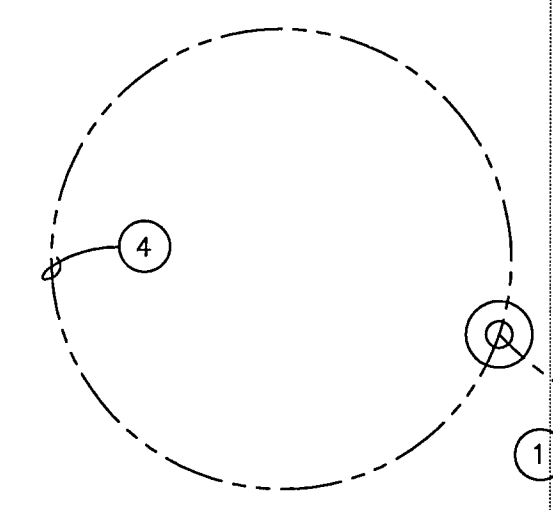
- ① 1/0 BORE COPPER, 36" DEEP LOOP, AT 36" FROM EDGE OF CONSTRUCTION OR FENCE.
- ② #4 BARE COPPER BONDING FOR ALL ELECTRICAL EQUIPMENT DEVICES AND GROUND SYSTEM.
- ③ #4 BARE COPPER BONDING/GROUNDING SYSTEM TO FENCE.
- ④ 10FT DIAMETER COIL OF 1/0 BARE COPPER. PROVIDE XYZ COORDINATES ON RECORD DRAWINGS. COORDINATE EXACT LOCATION WITH OWNER.
- ⑤ 1/0 BARE COPPER FROM GROUND ROD TO GROUNDING CONDUCTOR AND REBAR IN CONCRETE STRUCTURES.
- ⑥ 3/4" x 10'-0" COPPER CLAD GROUND ROD
- ⑦ CONCRETE PAD FOR GENERATOR, COORDINATE EXACT LOCATION WITH ALL TRADES. MAINTAIN REQUIRED CLEARANCE



5 CONDUIT SUPPORT AT WALL DETAIL
NO SCALE

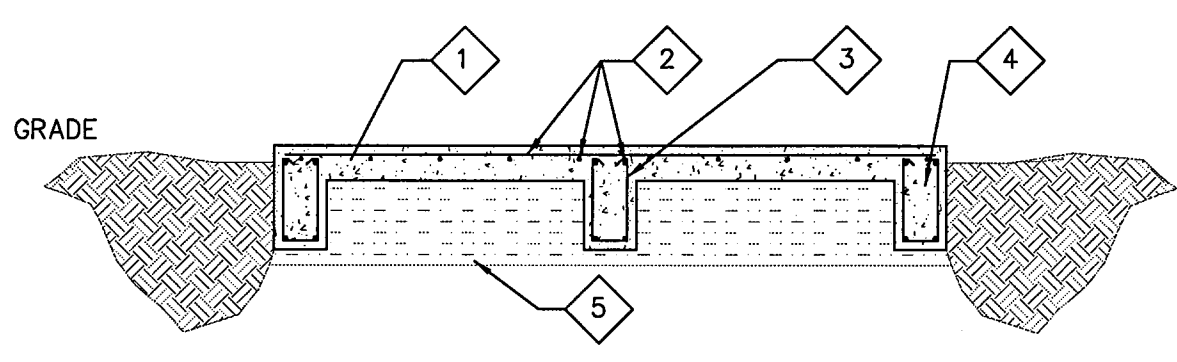


6 GROUNDING ROD DETAIL
NO SCALE



7 SITE GROUNDING PLAN
SCALE: 1"=4'
FOR DIAGRAMMATICAL REPRESENTATION ONLY
COORDINATE EXACT LOCATION OF EQUIPMENT WITH CIVIL PLAN.

KEY
⊙ = GROUND ROD LOCATION PER DETAILS
● = CONNECTION PER DETAILS



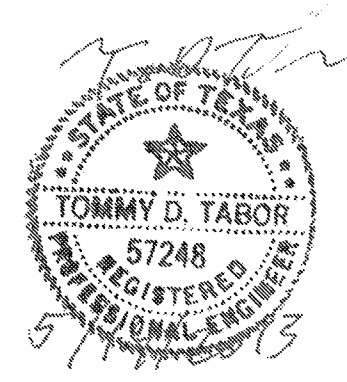
8 GENERATOR FOUNDATION
NO SCALE

FOUNDATION NOTES BY SYMBOL "◇"

- ◇1 9" CONCRETE FOUNDATION, CONCRETE 4,000 PSI @ 28 DAYS (10'-6" X 5'-6").
- ◇2 #4 RE-BAR, FOR BEAMS AND GRID. GRID SPACING 12" C-C-E-WO.
- ◇3 #3 RE-BAR STURRUP.
- ◇4 BEAM DIMENSION 9" WIDE, 18" DEEP.
- ◇5 18" SELECT FILL.

AS-BUILT APRIL 2014
INFORMATION PROVIDED BY CONTRACTORS
(NOT FIELD VERIFIED)

APPLICABLE CODES AND STANDARDS
NFPA 820
2008 NATIONAL ELECTRICAL CODE
TCEQ CHAPTER 217



PERKINS ENGINEERING CONSULTANTS, INC. T. TABOR CONSULTING, PLLC (5279) 1301 DEBBIE LANE, SUITE 102-152 MANSFIELD, TEXAS 76063 972-896-6989		TTC-PLLC T. TABOR CONSULTING, PLLC (5279) 1301 DEBBIE LANE, SUITE 102-152 MANSFIELD, TEXAS 76063 972-896-6989	
DEVELOPMENT PLANS FOR BREEZY HILL PHASE I ROCKWALL, TEXAS			
DETAILS & TECHNICAL DATA			
DRAWN BY MLH / KF	DESIGNED BY TDT	CHECKED BY TDT	SHEET NO. LSE - 1
JOB NUMBER COR 12-001	DATE MAY 2013	SCALE NOTED	