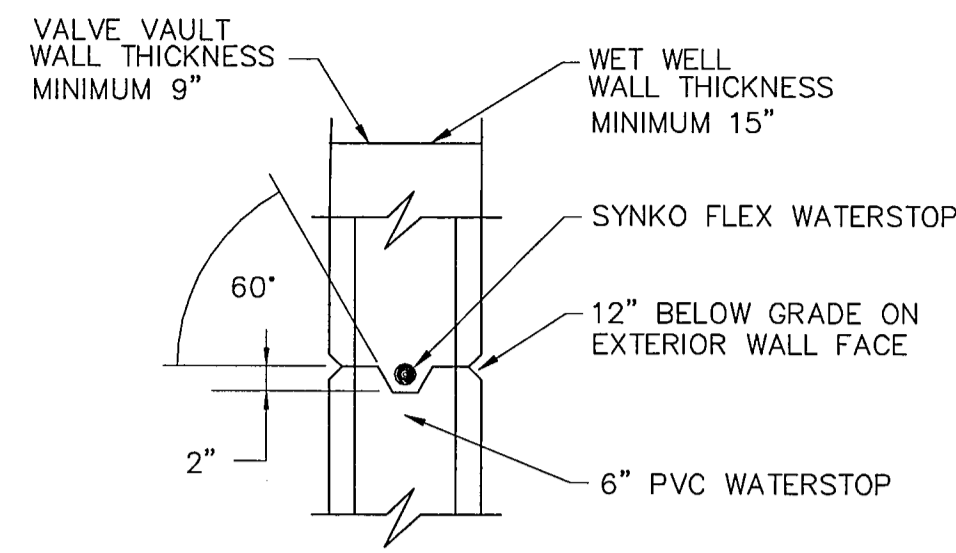
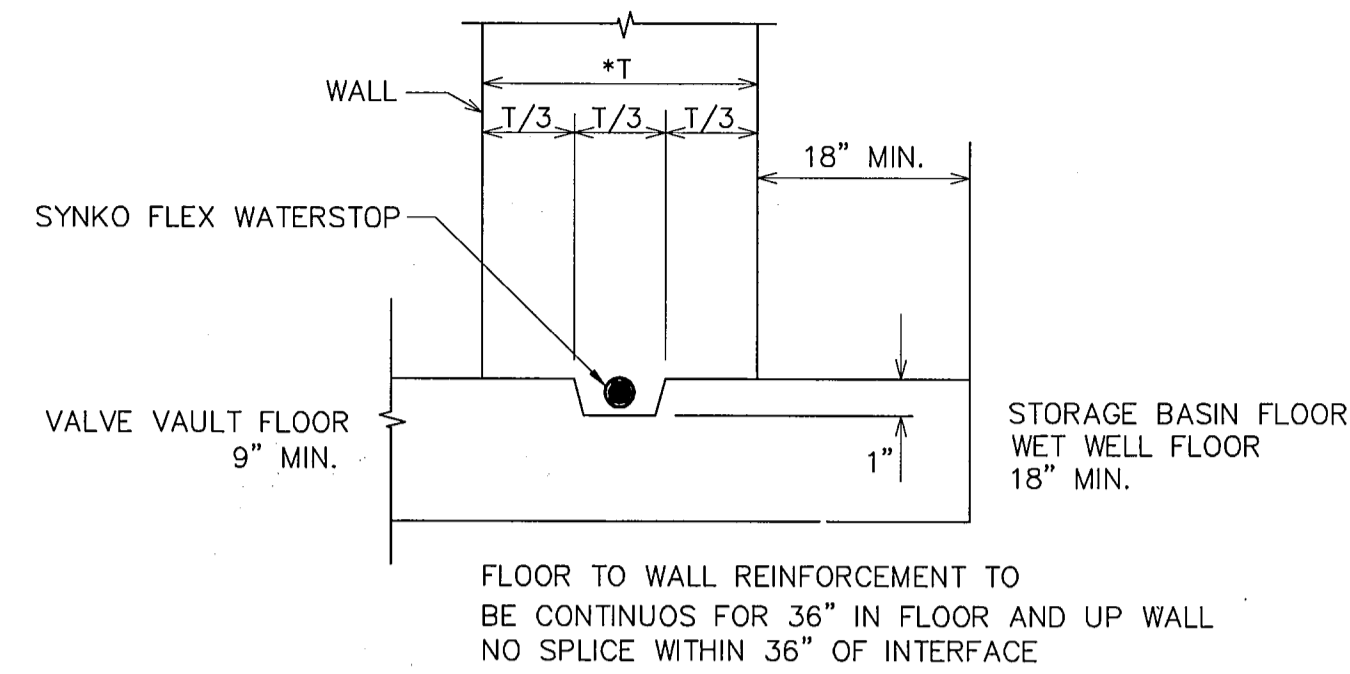


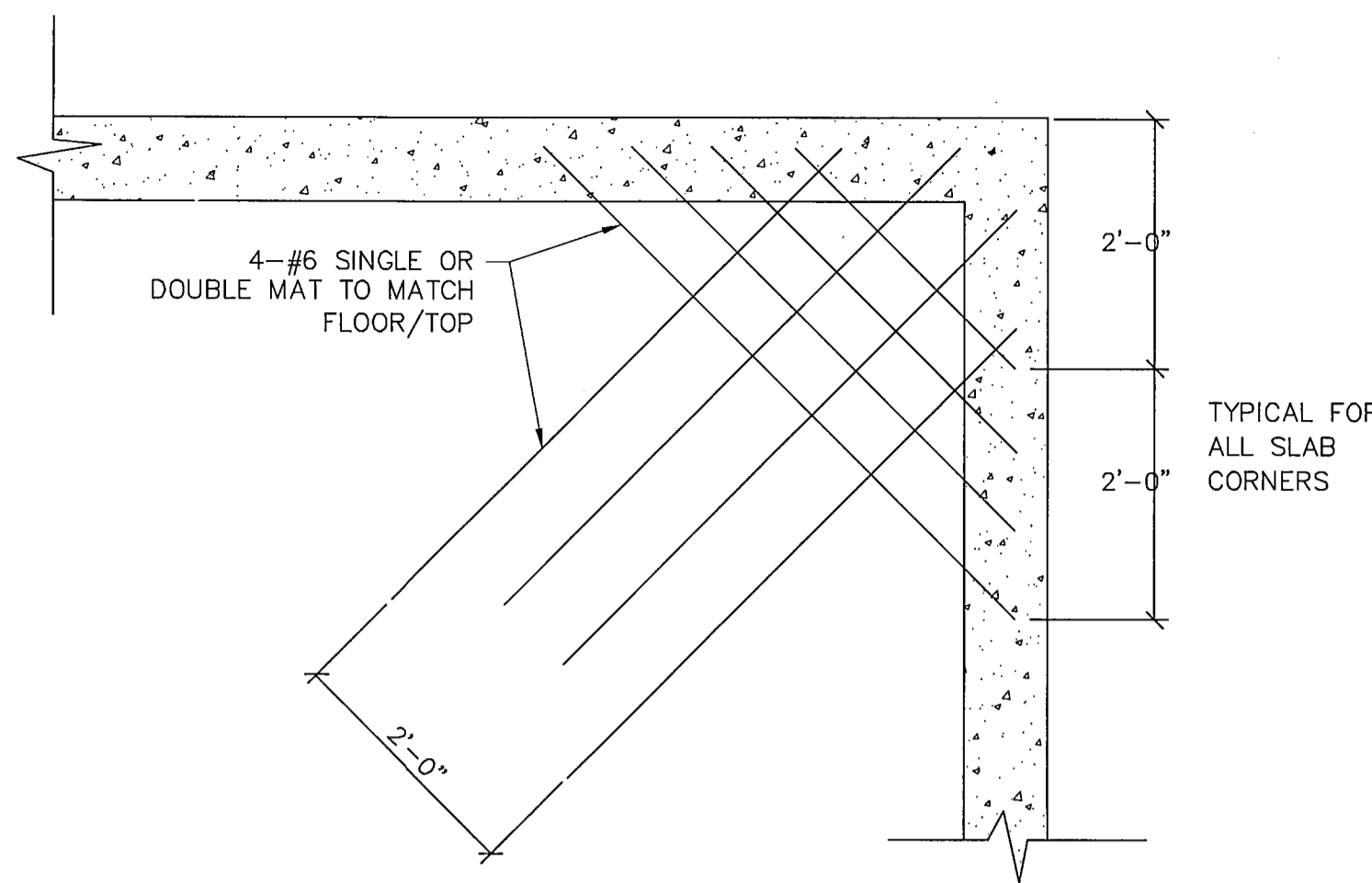
WALLS SECTION



WALL - FLOOR CONNECTION

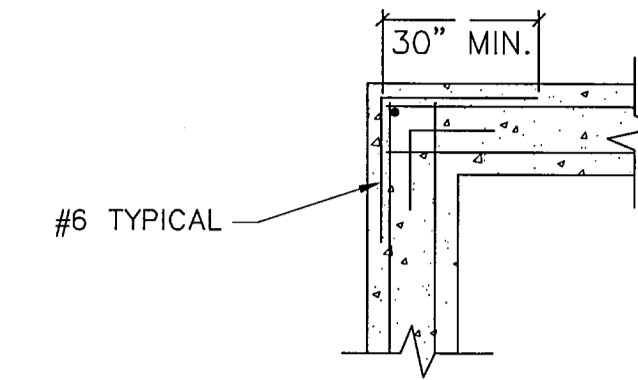


WATER-STOP CONSTRUCTION
NOT TO SCALE

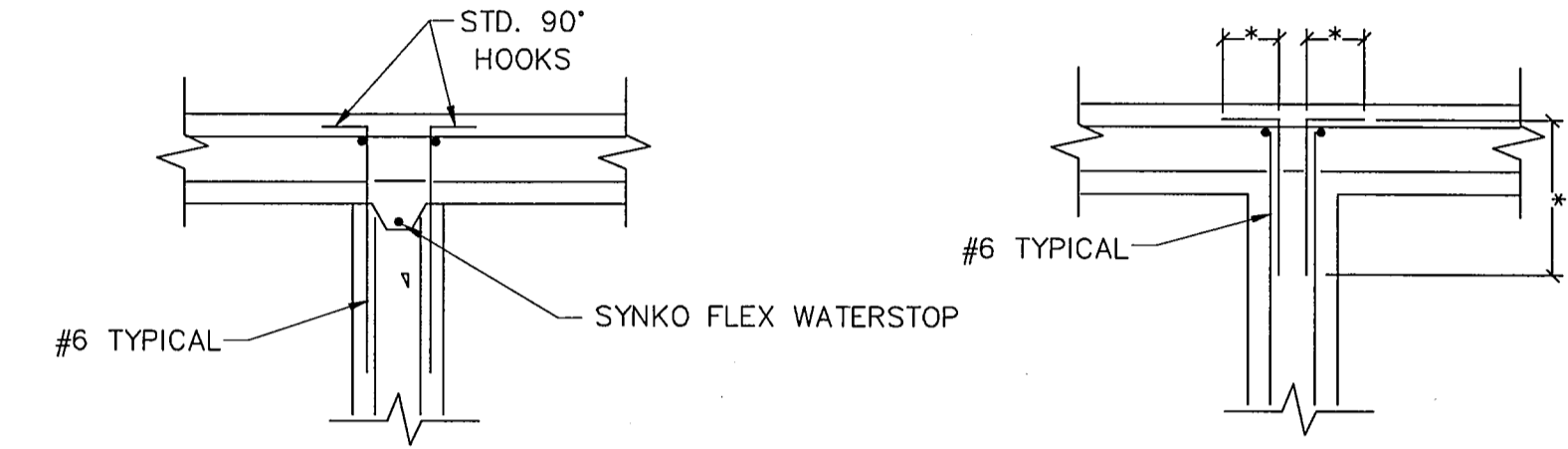


ADDITIONAL REINFORCING @ EXTERIOR CORNER
NOT TO SCALE

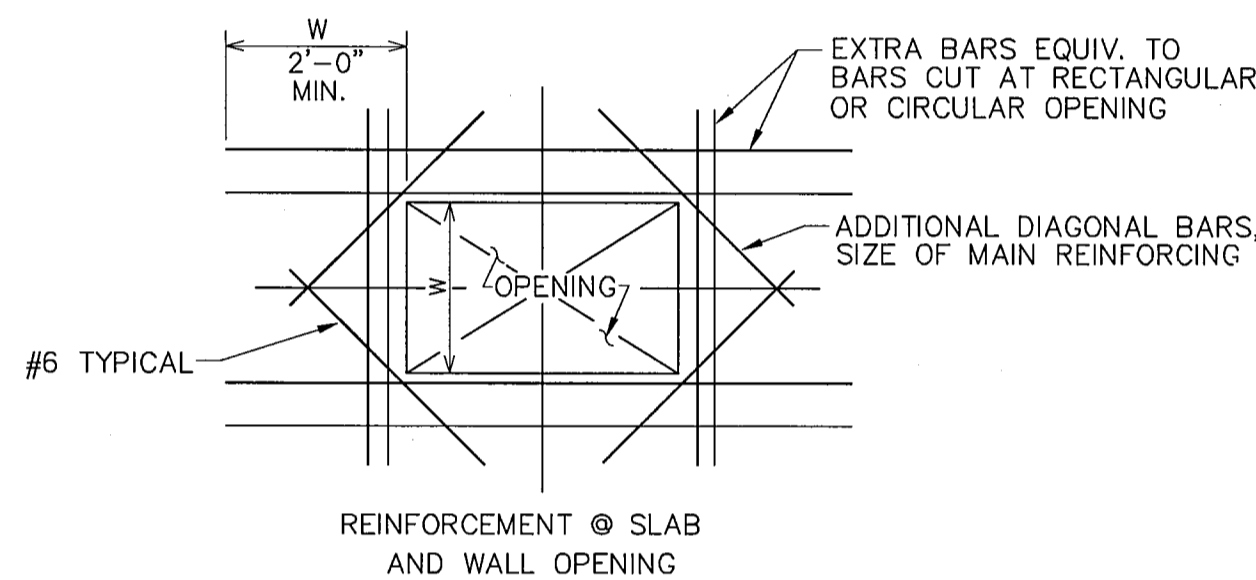
* MINIMUM LAP LENGTH
ALL 90° BENDS AS SHOWN UNLESS OTHERWISE INDICATED ON DESIGN DRAWINGS. INSTALL ADDITIONAL VERTICAL BARS AT HOOKS AS SHOWN.



TYPICAL CORNER REINFORCEMENT

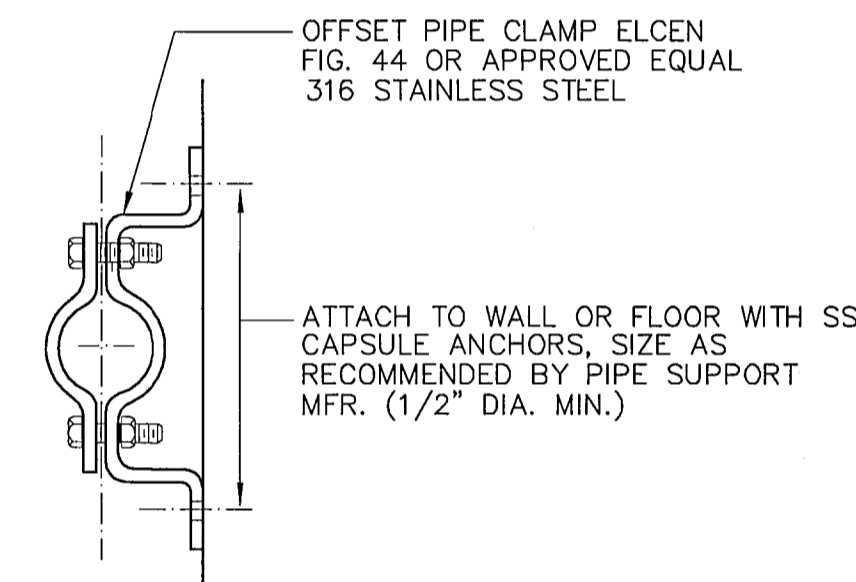


TYPICAL INTERSECTION FOR DOUBLE CURTAIN

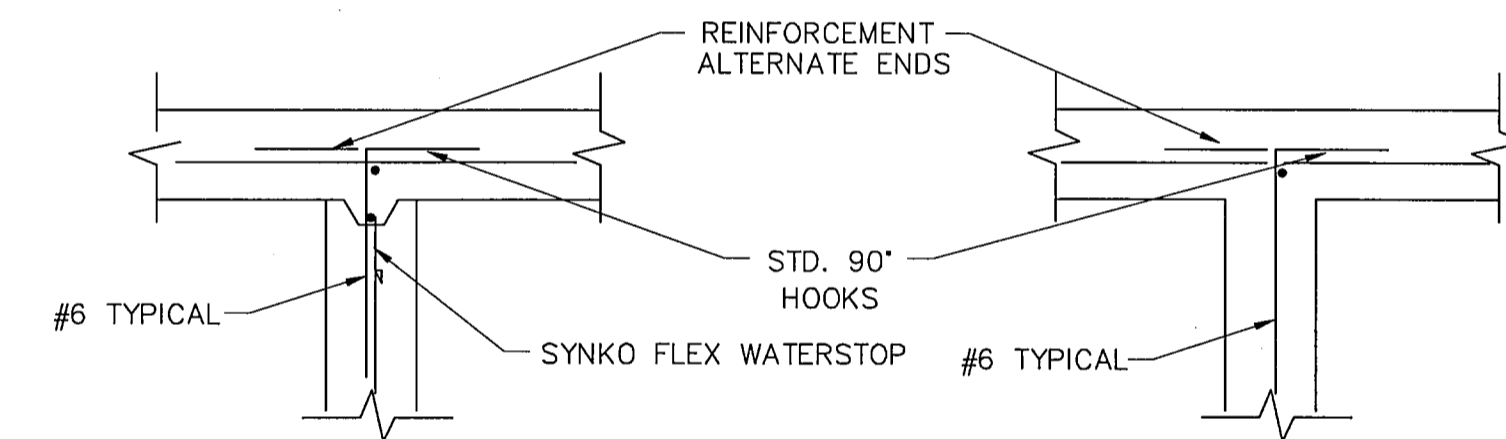


- NOTES:
1. REINFORCING AS INDICATED ON SECTION DETAIL
2. W=DIMENSION OF OPENING PERPENDICULAR TO BARS CUT.

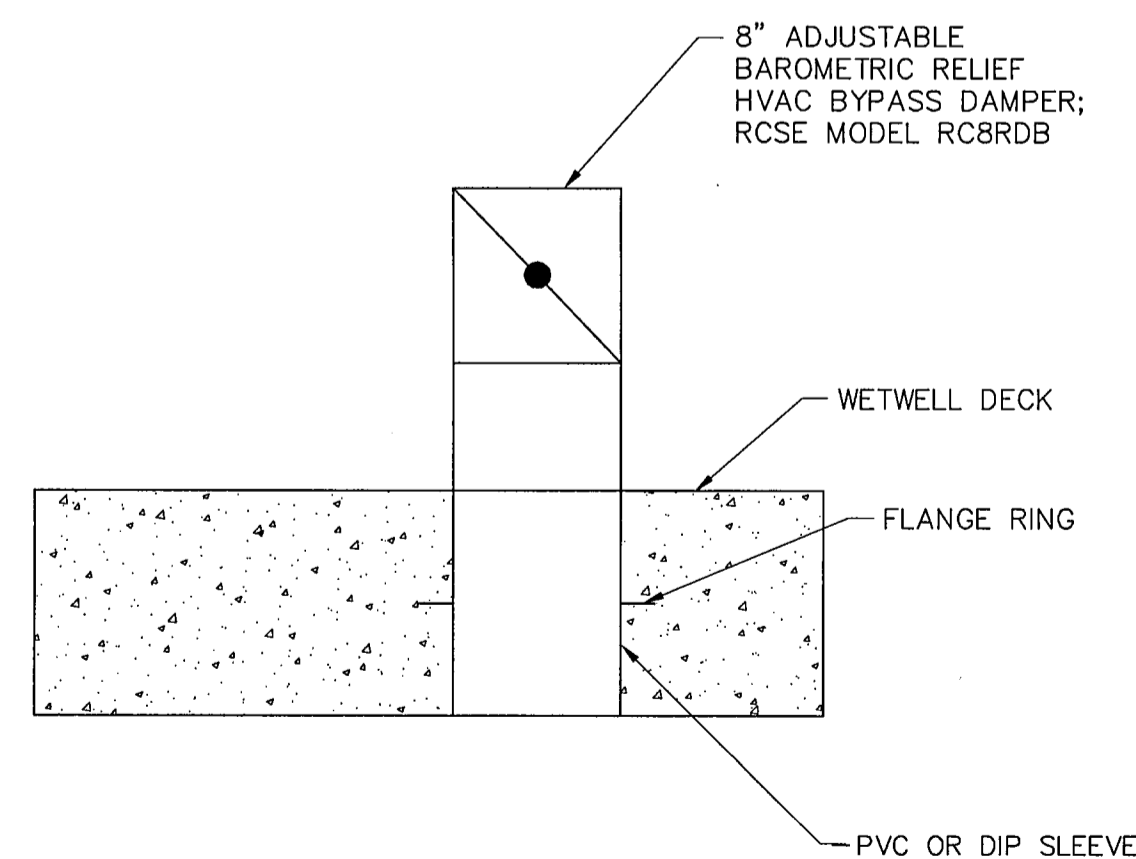
ADDITIONAL REINFORCING AROUND OPENINGS
NOT TO SCALE



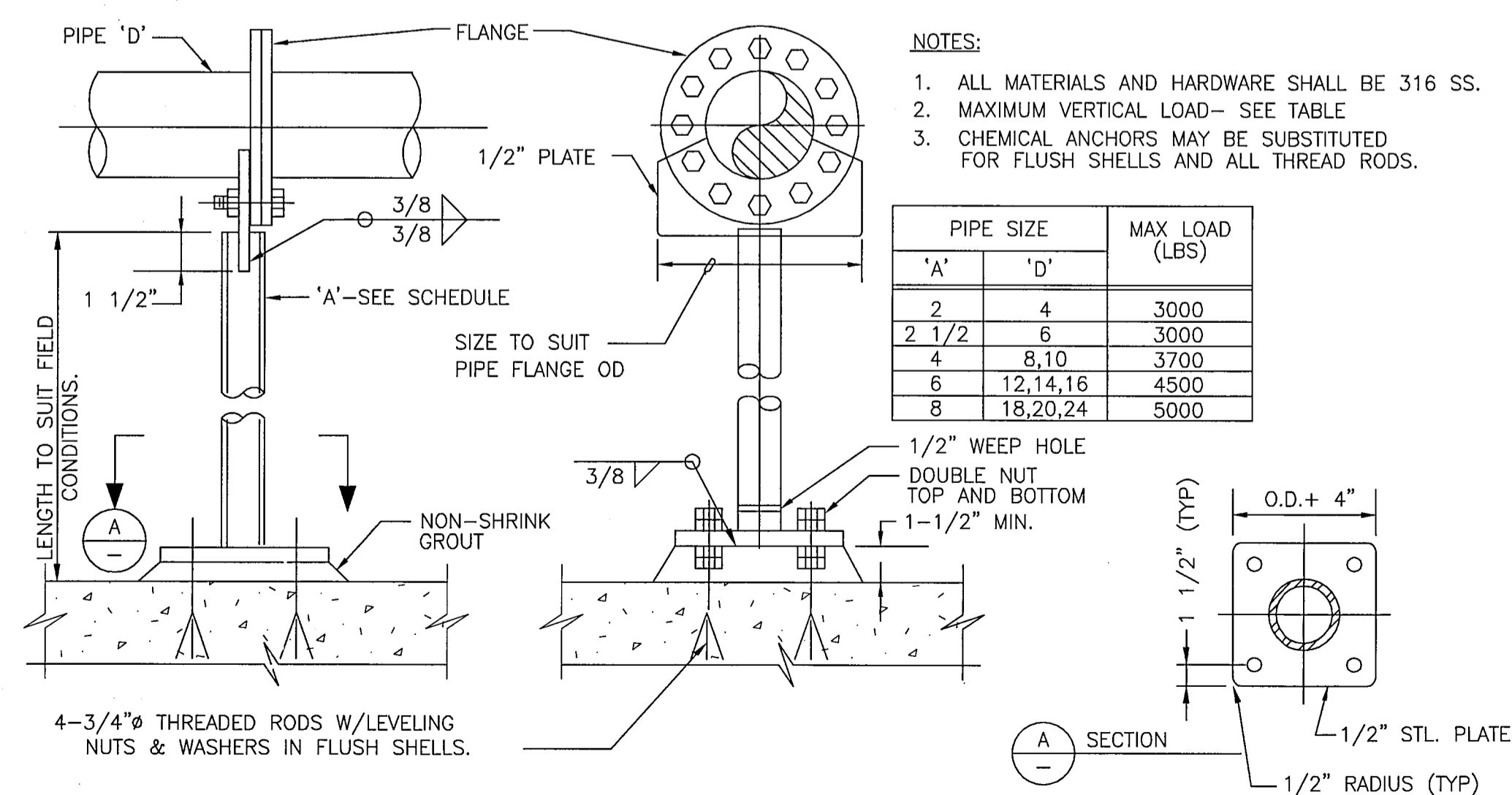
TYPICAL OFFSET PIPE SUPPORT
NOT TO SCALE



CORNER REINFORCEMENT DETAILS
NOT TO SCALE

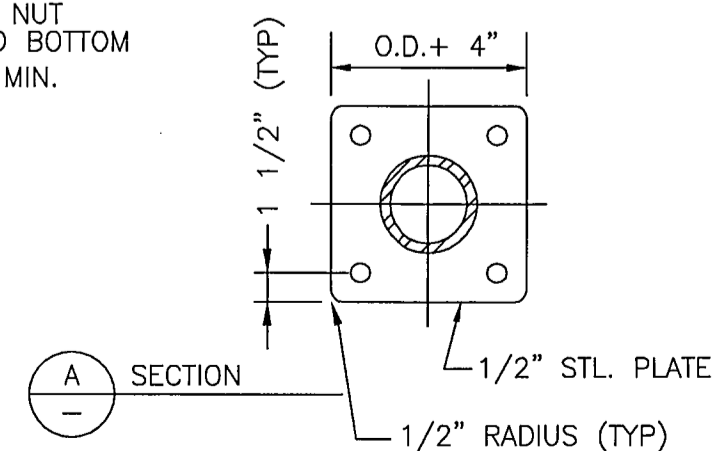


WETWELL VENT
NOT TO SCALE



- NOTES:
1. ALL MATERIALS AND HARDWARE SHALL BE 316 SS.
2. MAXIMUM VERTICAL LOAD- SEE TABLE
3. CHEMICAL ANCHORS MAY BE SUBSTITUTED FOR FLUSH SHELLS AND ALL THREAD RODS.

PIPE SIZE		MAX LOAD (LBS)
'A'	'D'	
2	4	3000
2 1/2	6	3000
4	8,10	3700
6	12,14,16	4500
8	18,20,24	5000



FLANGED PIPE SUPPORT
NOT TO SCALE

BAR IS ONE INCH IN LENGTH ON ORIGINAL DRAWING. CHECK SCALE AND ADJUST ACCORDINGLY.
ONE INCH

AS-BUILT APRIL 2014
INFORMATION PROVIDED BY CONTRACTORS
(NOT FIELD VERIFIED)

6/21/13
Professional Engineer Seal for Mark A. Perkins, State of Texas, Registration No. 60329.

PERKINS ENGINEERING CONSULTANTS, INC.
TEPE REGISTRATION NO. F-8699
DEVELOPMENT PLANS FOR
BREEZY HILL PHASE I
ROCKWALL, TEXAS

LIFT STATION DETAILS

DRAWN BY SRG	DESIGNED BY MAP	CHECKED BY MAP	SHEET NO.
JOB NUMBER COR 12-001	DATE JUNE 2013	SCALE NOTED	LS-4