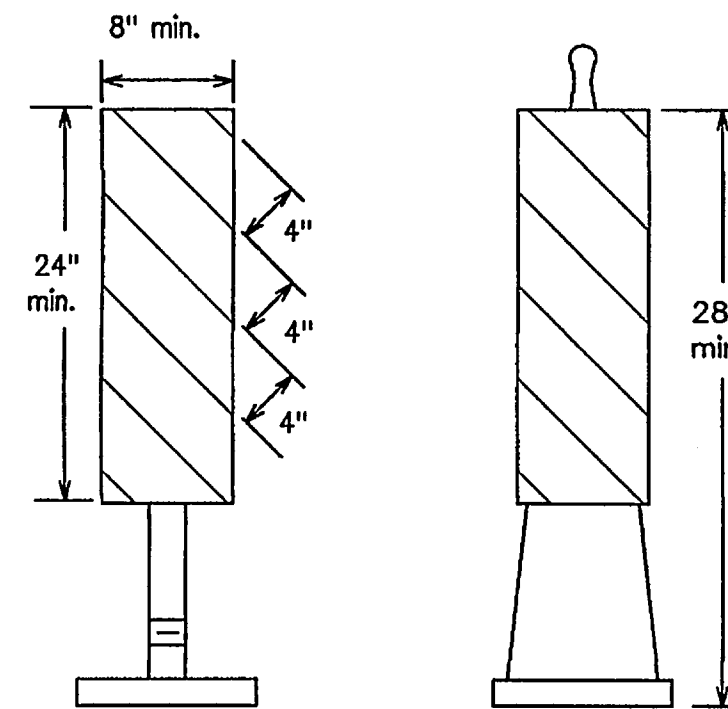
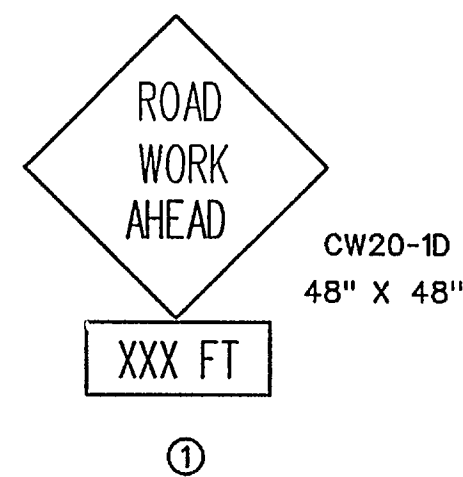
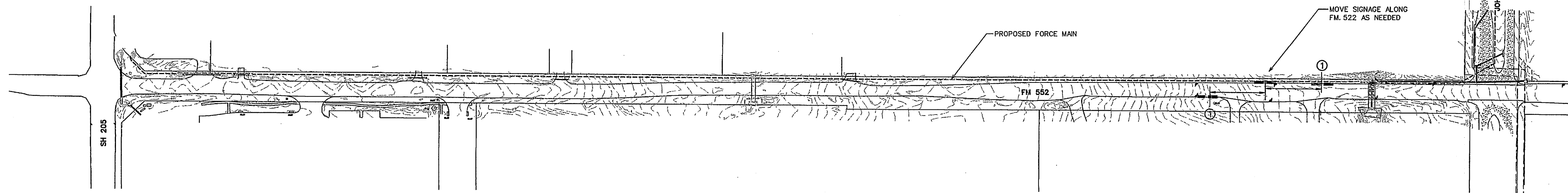


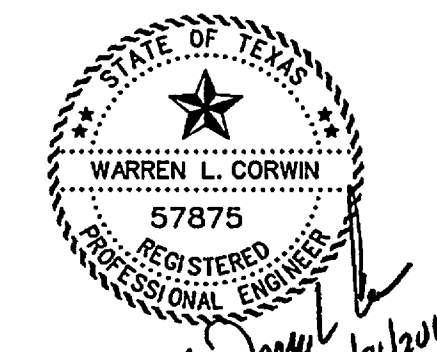


SCALE: 1" = 150'

NOTE:
FORCE MAIN INSTALLATION IN THE NORTH ROW OF
FM 552. CONTRACTOR SHALL PROVIDE TRAFFIC CONTROL
PER STATE DETAIL TPC(11-D)-12 IN THE AREA THAT CONSTRUCTION
IS ONGOING.




----- PORTABLE CHANNELIZING DEVICE
@ 15' SPACING



The seal appearing on
this document was
authorized by
Warren L. Corwin,
P.E. 57875, on
June 21, 2013

AS-BUILT APRIL 2014
INFORMATION PROVIDED BY CONTRACTORS
(NOT FIELD VERIFIED)

			
CORWIN ENGINEERING, INC. 200 W. BELMONT, SUITE E ALLEN, TEXAS 75013 (972)396-1200 TBPE FIRM #5951			
DEVELOPMENT PLANS FOR BREEZY HILL PHASE I ROCKWALL, TEXAS			
FM 552 TRAFFIC CONTROL PLAN			
DRAWN BY	DESIGNED BY	CHECKED BY	SHEET NO.
JOB NUMBER	DATE	SCALE:	1 OF 2
12003	APRIL 2013	1"=150'	