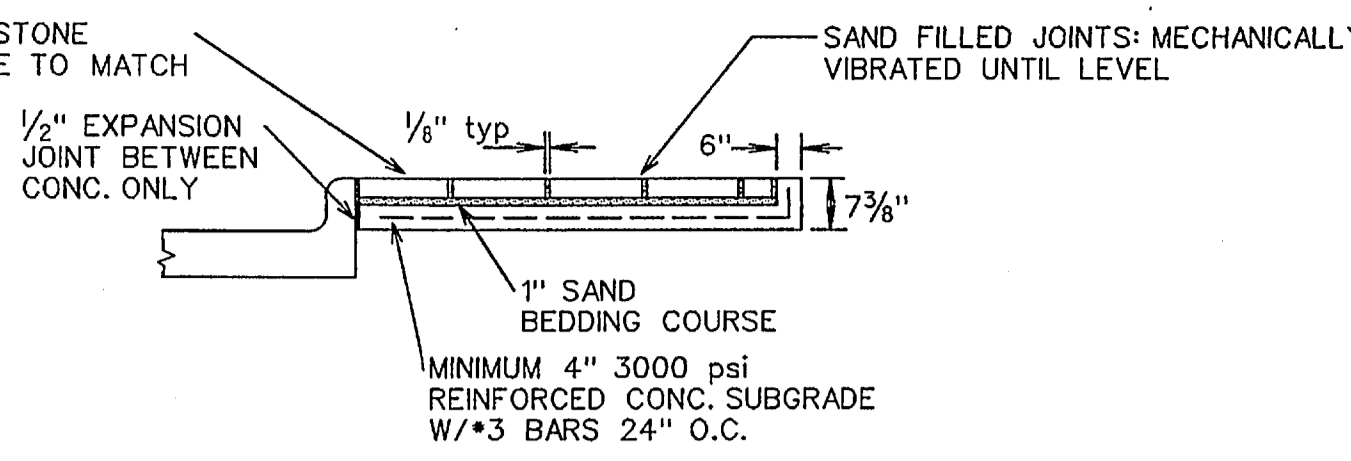
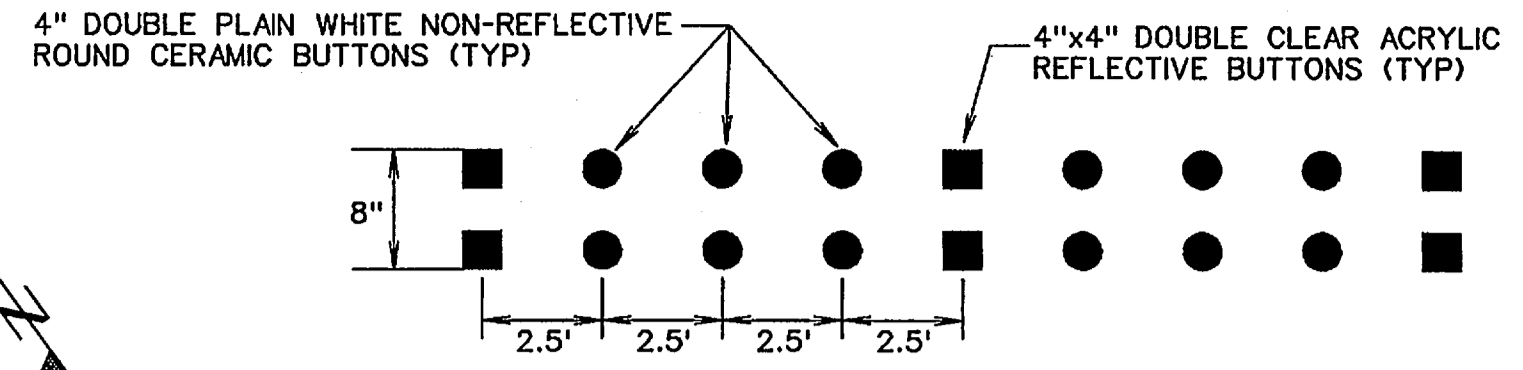


SCALE: 1" = 40'

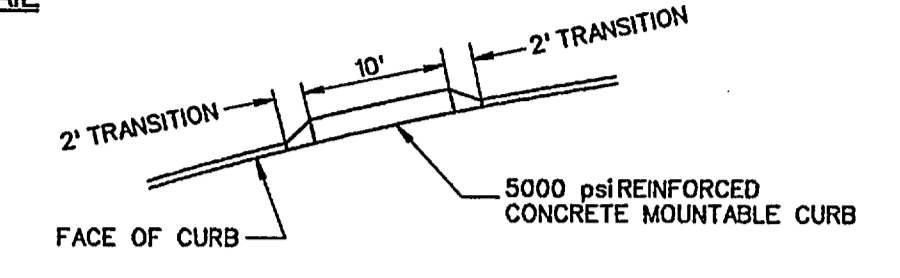
2-3/8" PAVING STONE  
FINISHED GRADE TO MATCH  
TOP OF CURB



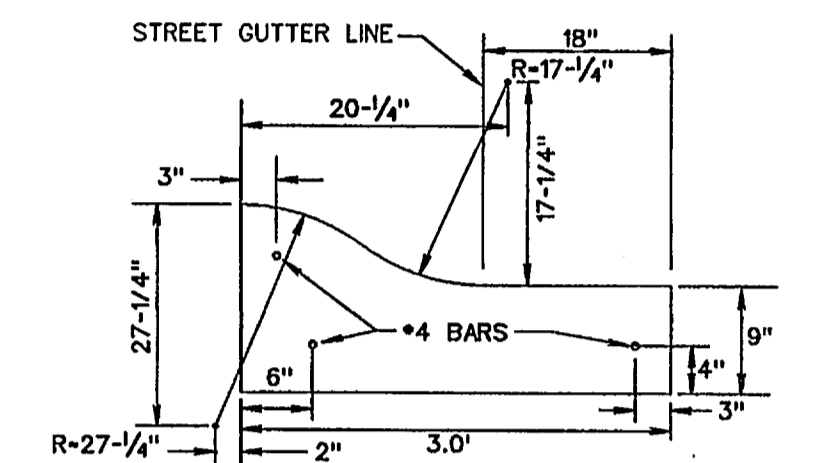
MEDIAN PAVING STONE DETAIL  
N.T.S.



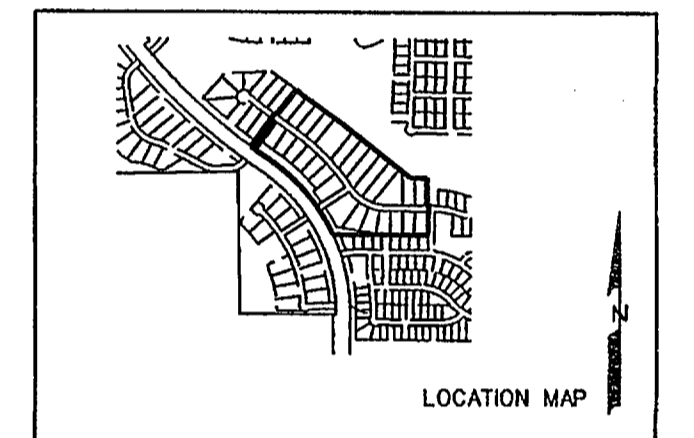
BUTTON TURN BAY LINE MARKING DETAIL  
N.T.S.



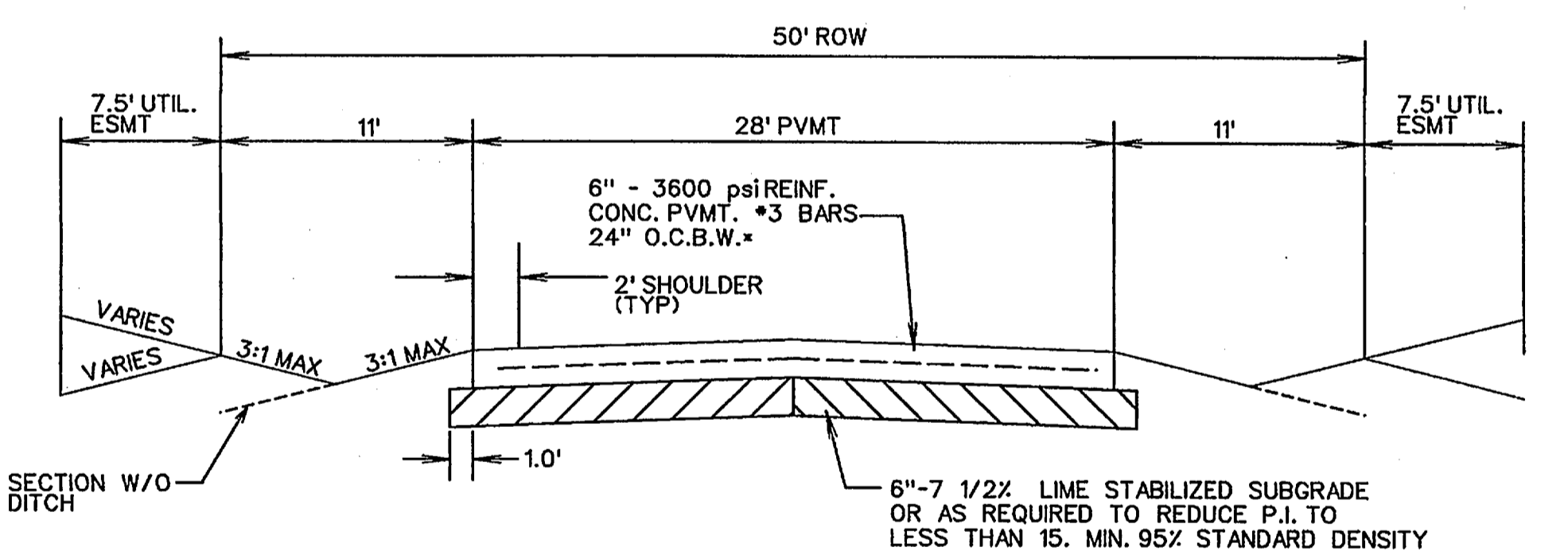
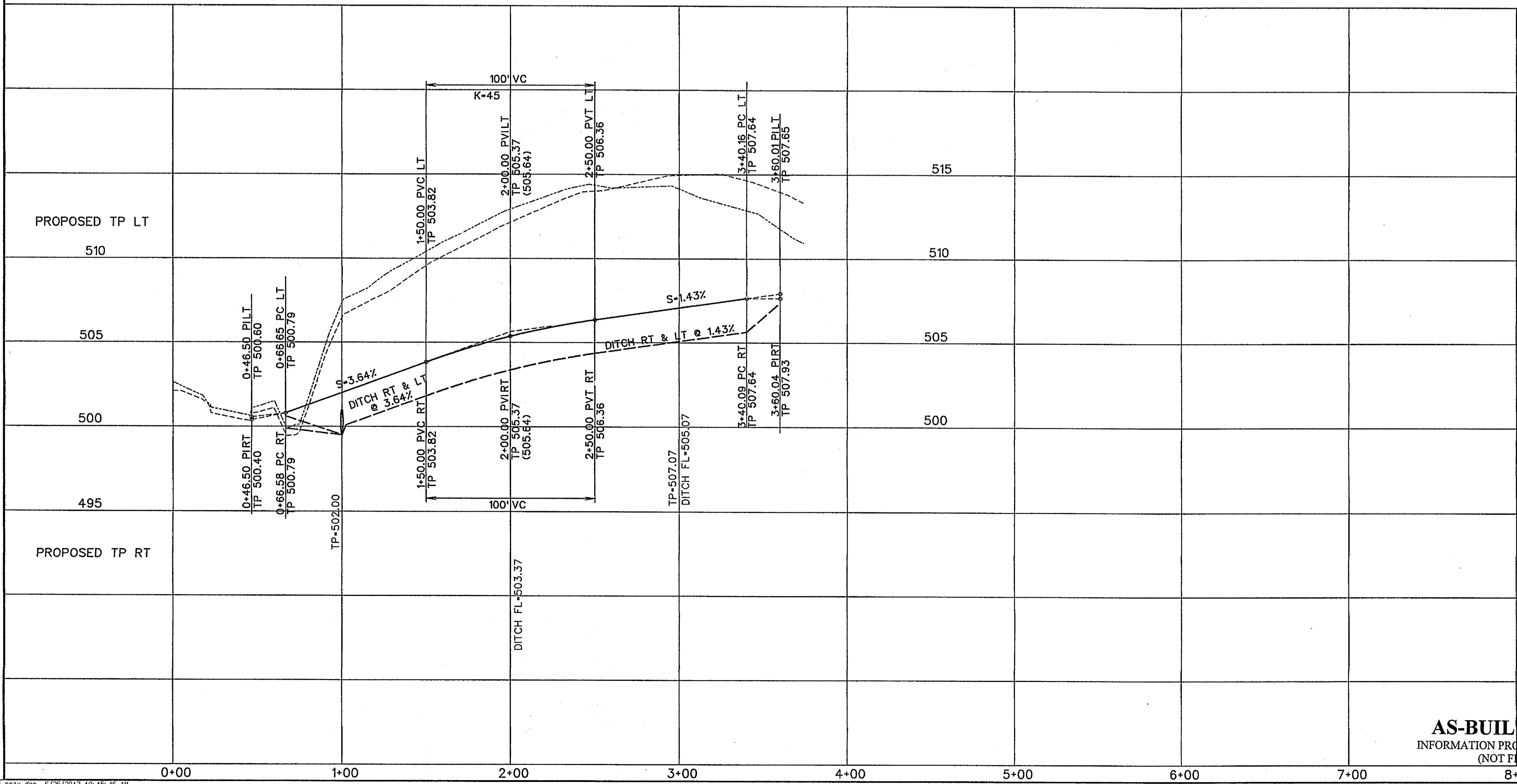
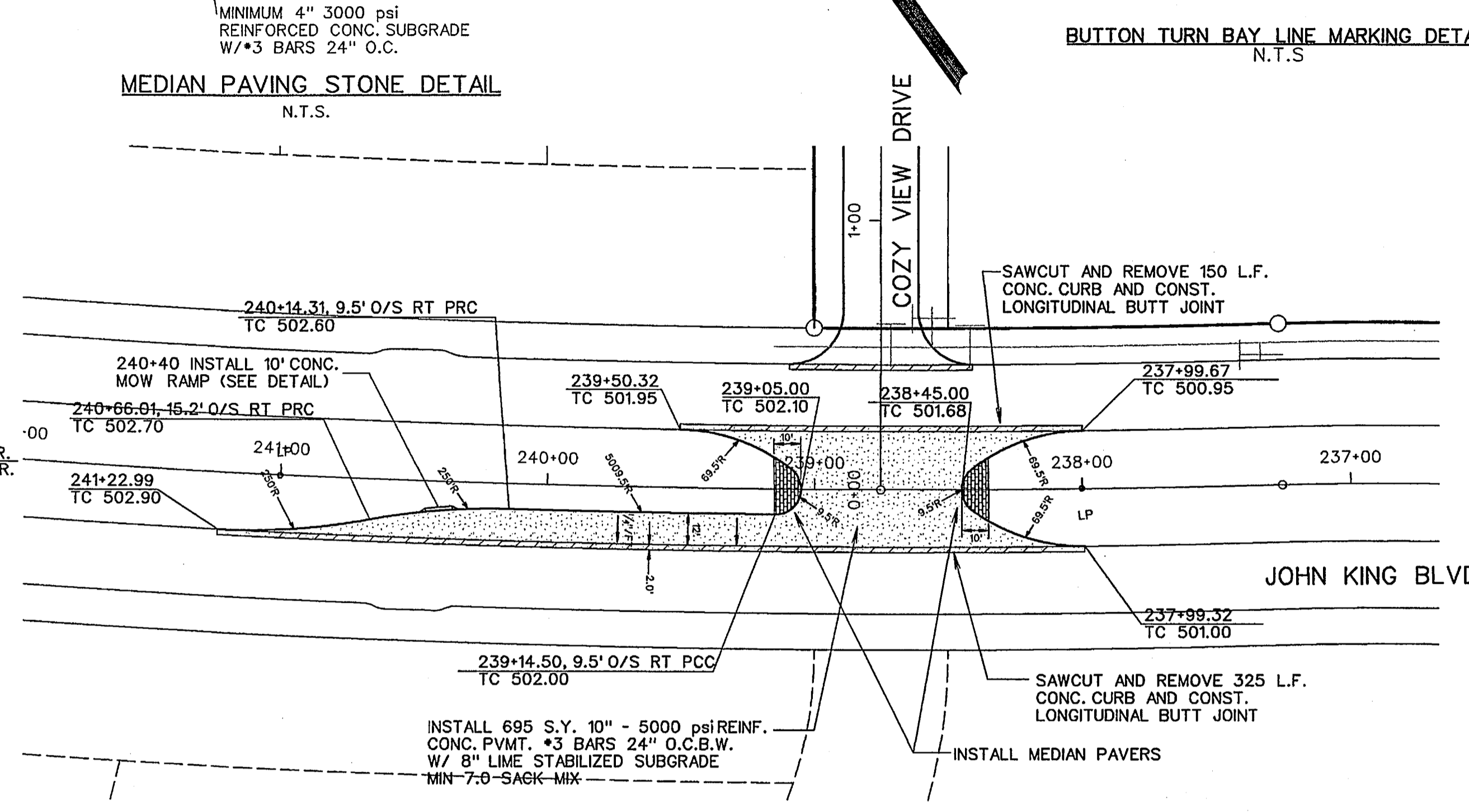
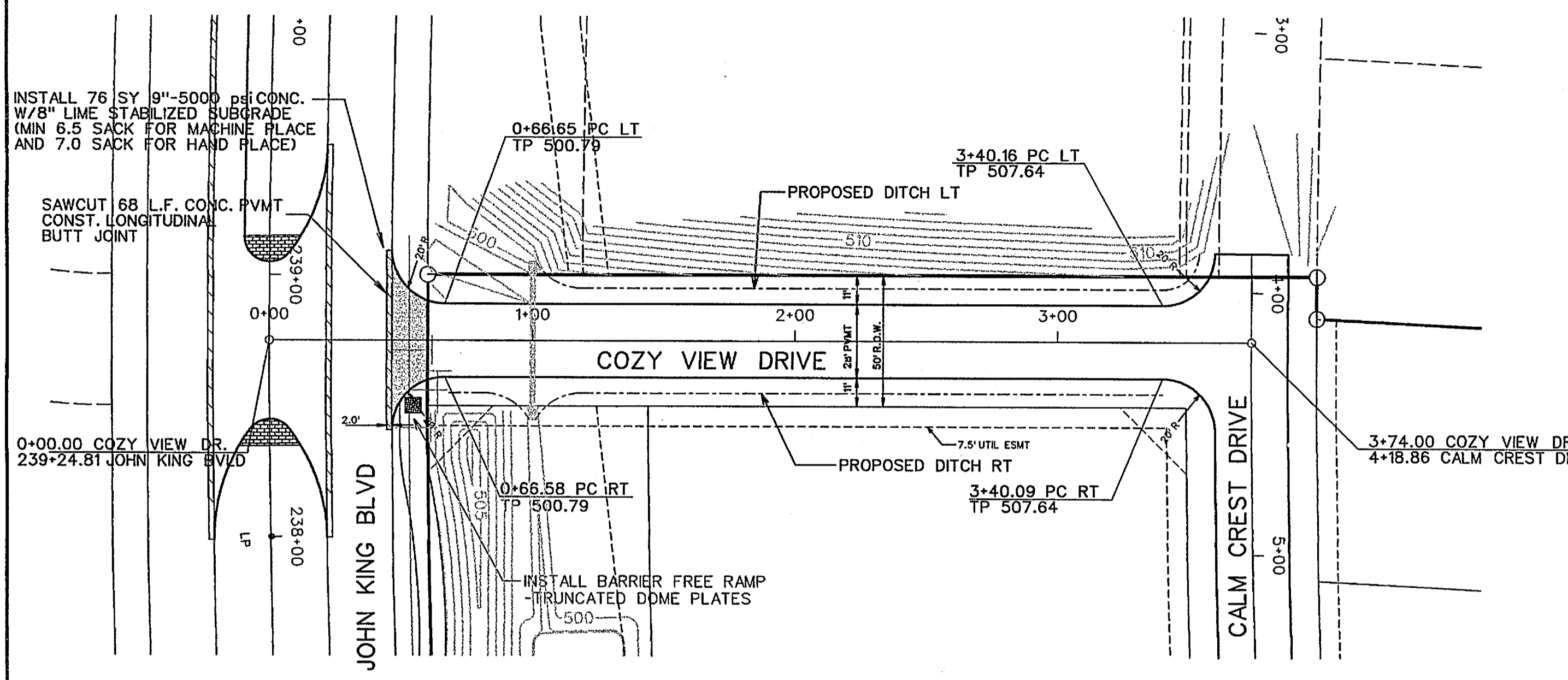
MOW RAMP



MOUNTABLE CURB SECTION



LOCATION MAP



TYPICAL PAVEMENT SECTION  
N.T.S.

\*MIN. 6.5 SACK MIX IF HAND PLACED  
6.0 SACK IF MACHINE PLACED



The seal appearing on this document was authorized by Warren L. Corwin, P.E. 57875, on June 25, 2013

AS-BUILT APRIL 2014  
INFORMATION PROVIDED BY CONTRACTORS  
(NOT FIELD VERIFIED)

CORWIN ENGINEERING, INC.  
200 W. BELMONT, SUITE E  
ALLEN, TEXAS 75013 (972)396-1200  
TBP E FIRM #5951

DEVELOPMENT PLANS FOR  
BREEZY HILL  
PHASE I  
ROCKWALL, TEXAS

COZY VIEW DRIVE

DRAWN BY	DESIGNED BY	CHECKED BY	SHEET NO.
J2003	OCTOBER 2012	SCALE: HOR: 1"=40' VER: 1"=4'	5 of 18