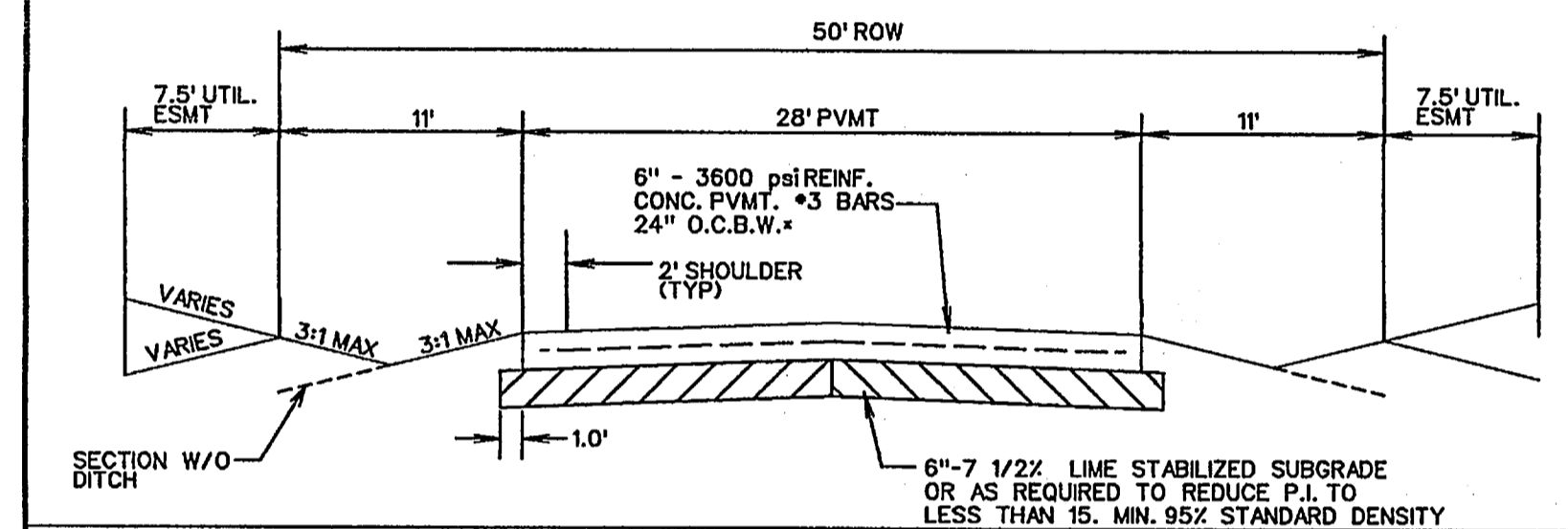
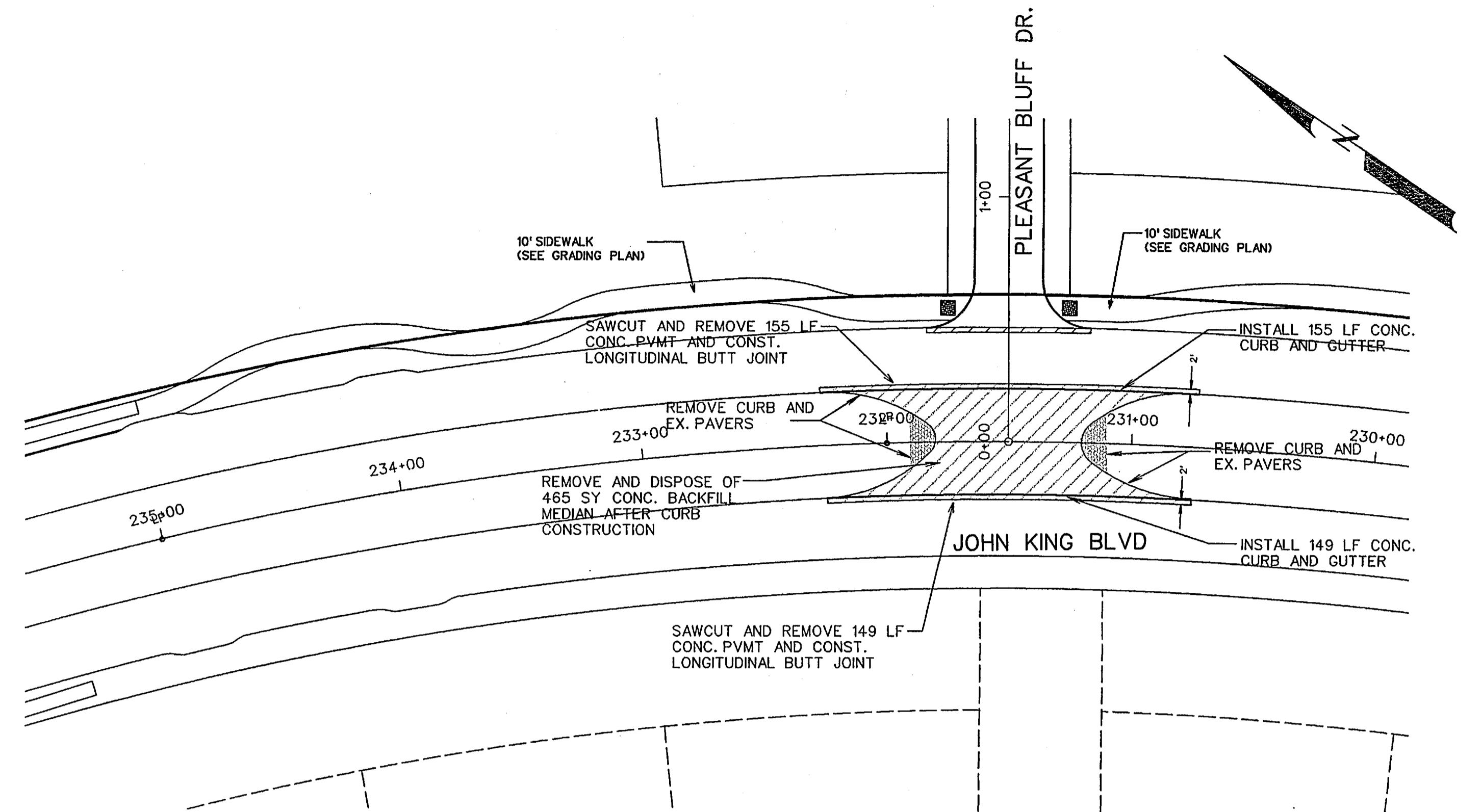
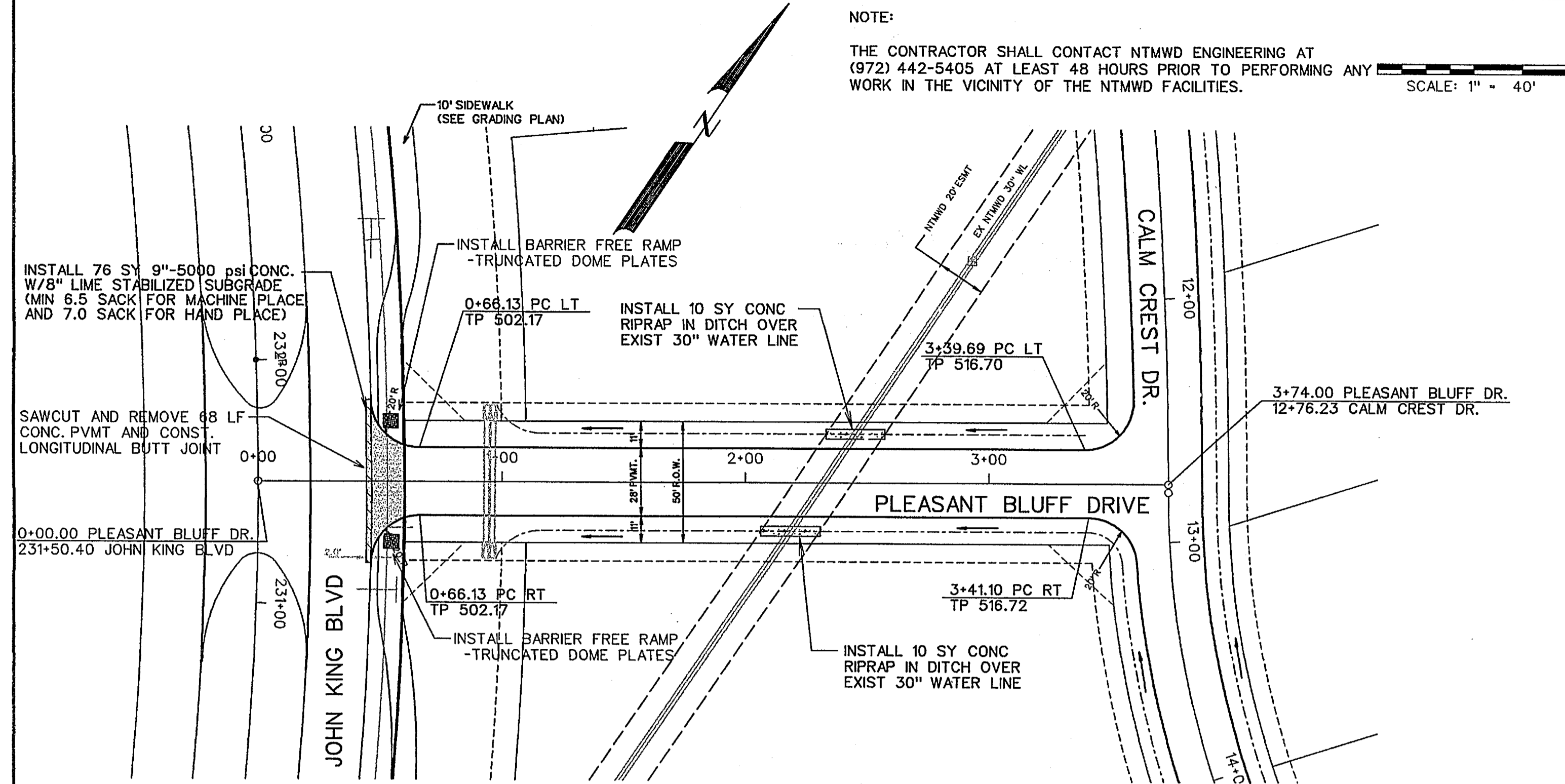
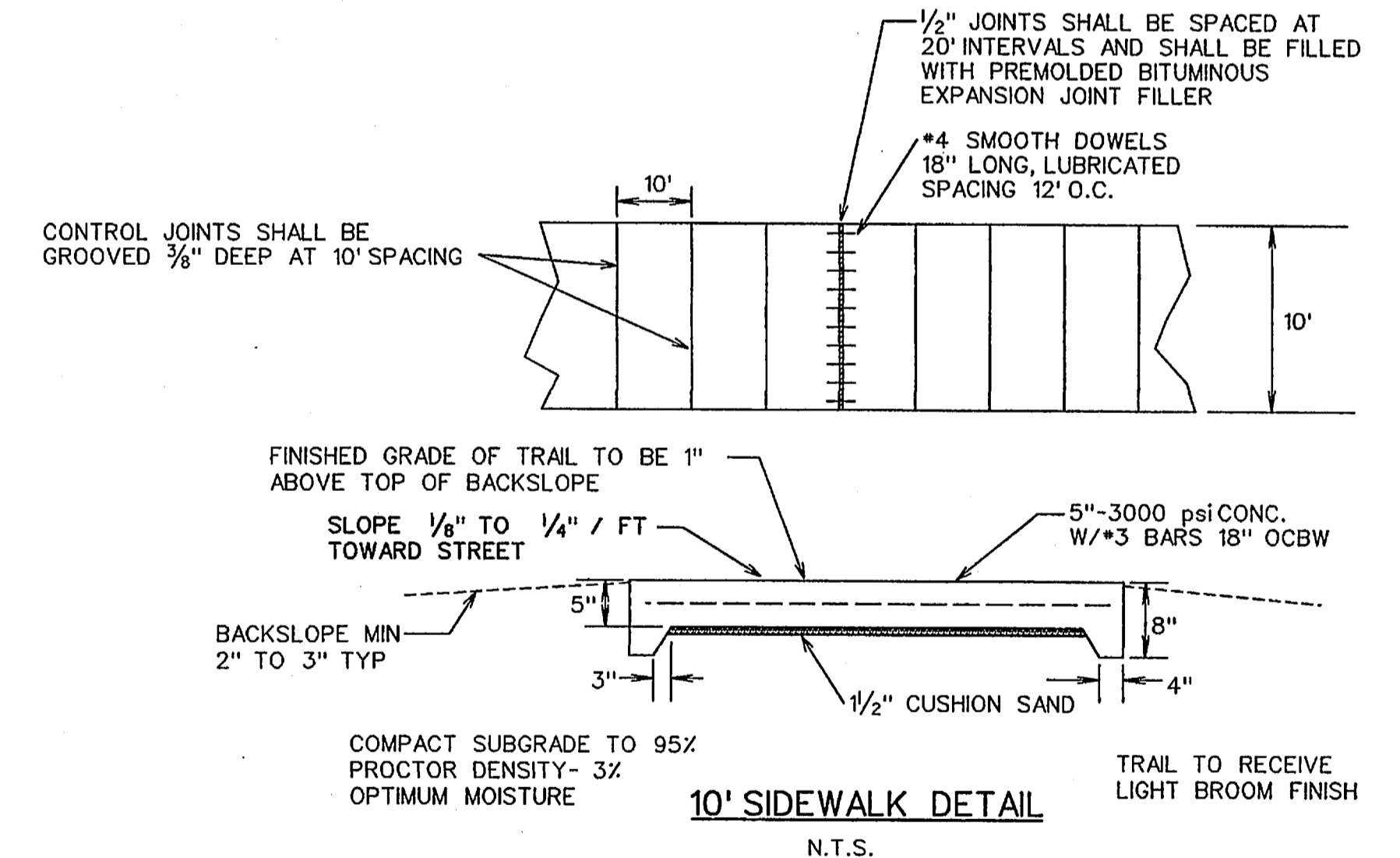
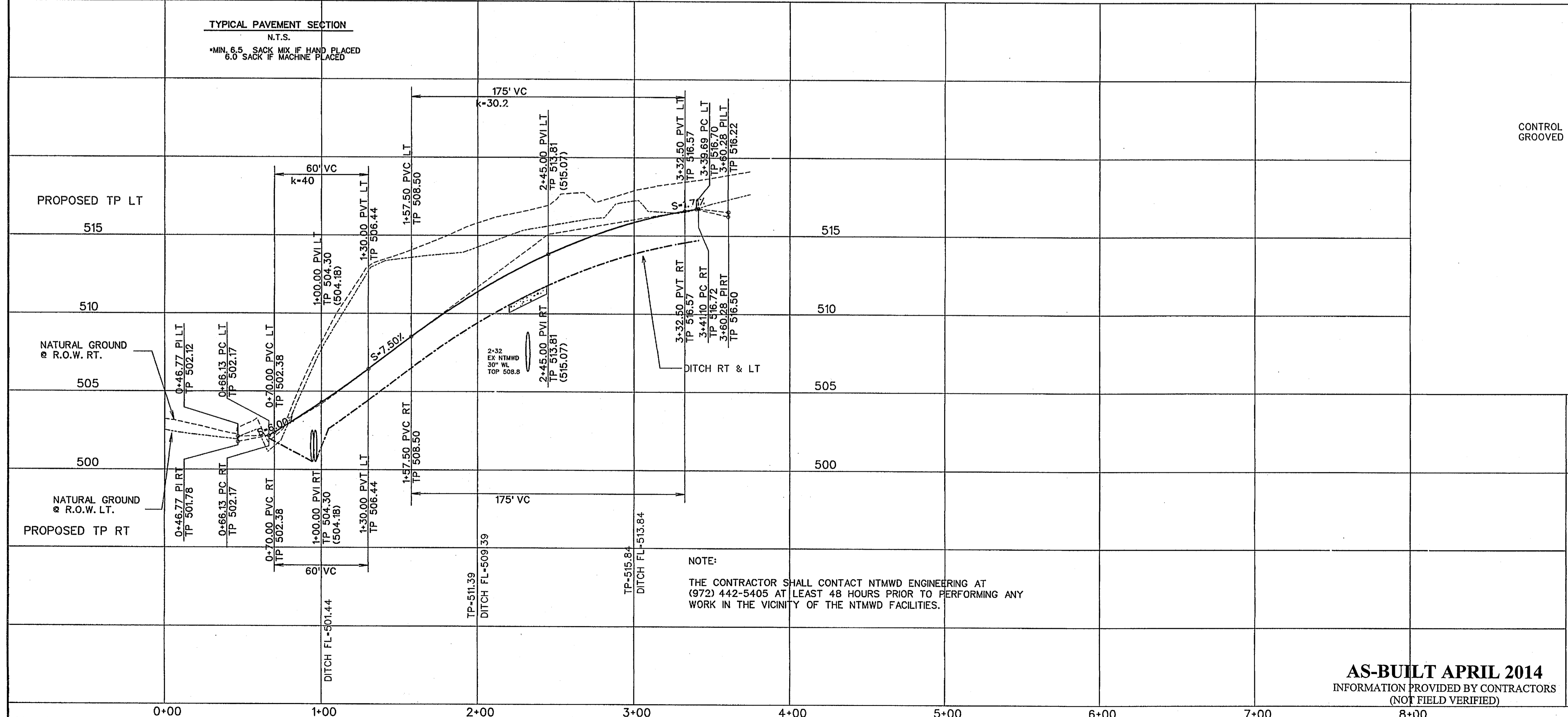
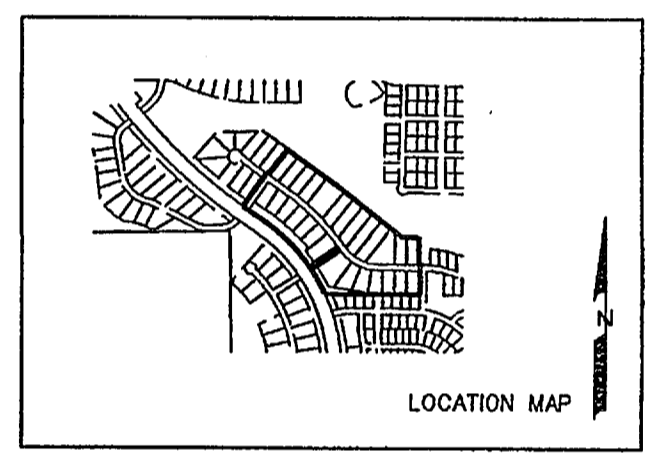


NOTE:
 THE CONTRACTOR SHALL CONTACT NTMWD ENGINEERING AT (972) 442-5405 AT LEAST 48 HOURS PRIOR TO PERFORMING ANY WORK IN THE VICINITY OF THE NTMWD FACILITIES.

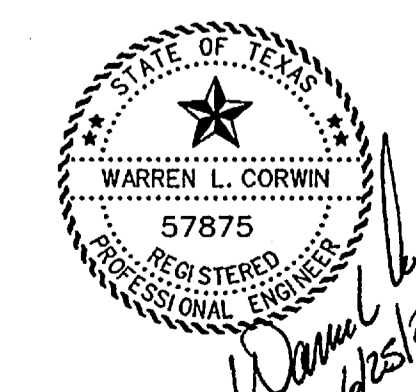
SCALE: 1" = 40'



NOTE:
 CONTRACTOR SHALL VERIFY ALL EXISTING UTILITIES PRIOR TO CONSTRUCTION. EXISTING UTILITY LOCATION AND ELEVATION ARE BASED ON AS-BUILT DRAWINGS AND MAY DIFFER IN ACTUAL LOCATION AND ELEVATION.



NOTE:
 THE CONTRACTOR SHALL CONTACT NTMWD ENGINEERING AT (972) 442-5405 AT LEAST 48 HOURS PRIOR TO PERFORMING ANY WORK IN THE VICINITY OF THE NTMWD FACILITIES.



The seal appearing on this document was authorized by Warren L. Corwin, P.E. 57875, on June 25, 2013

CORWIN ENGINEERING, INC.
 200 W. BELMONT, SUITE E
 ALLEN, TEXAS 75013 (972) 396-1200
 TYPE FIRM #5951

DEVELOPMENT PLANS FOR
BREEZY HILL
 PHASE I
 ROCKWALL, TEXAS

PLEASANT BLUFF DRIVE

AS-BUILT APRIL 2014
 INFORMATION PROVIDED BY CONTRACTORS
 (NOT FIELD VERIFIED)

DRAWN BY	DESIGNED BY	CHECKED BY	SHEET NO.
12003	OCTOBER 2012	SCALE: HOR: 1"=40' VER: 1"=4"	8 OF 18