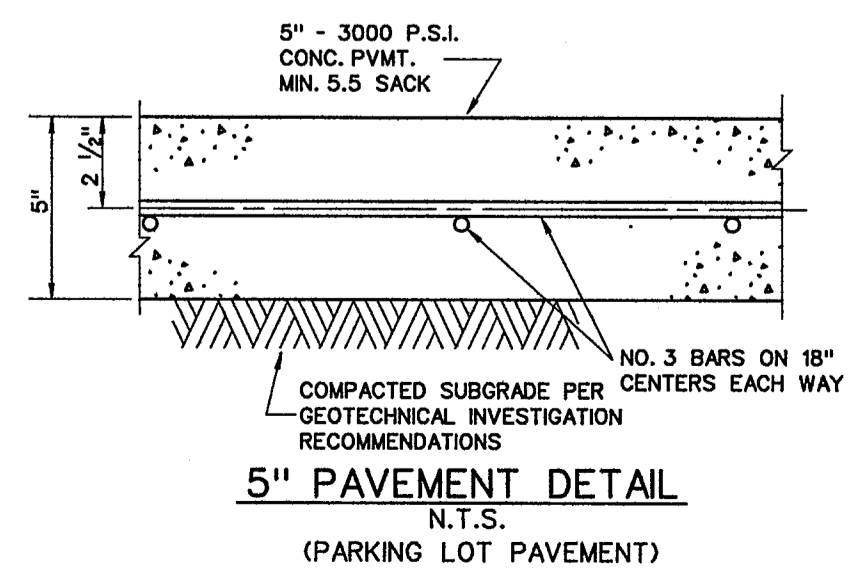
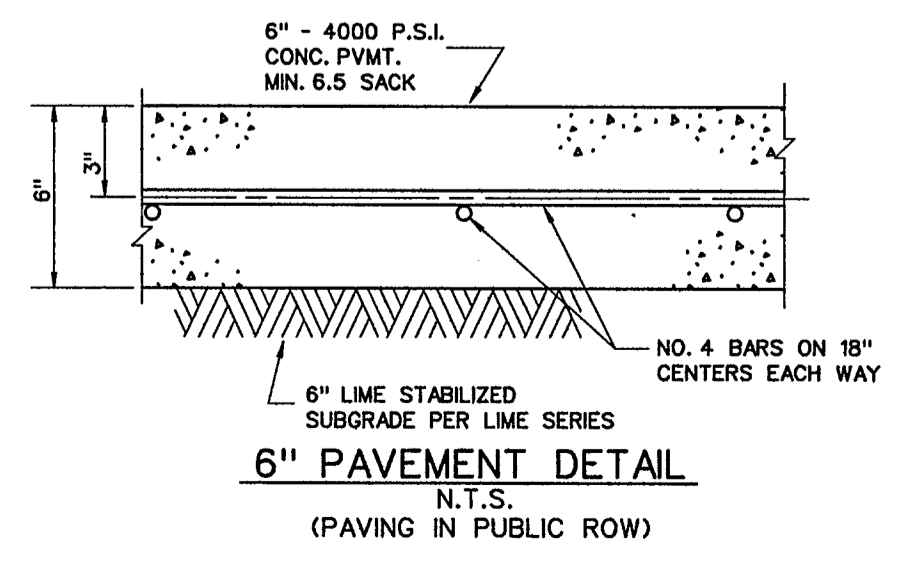
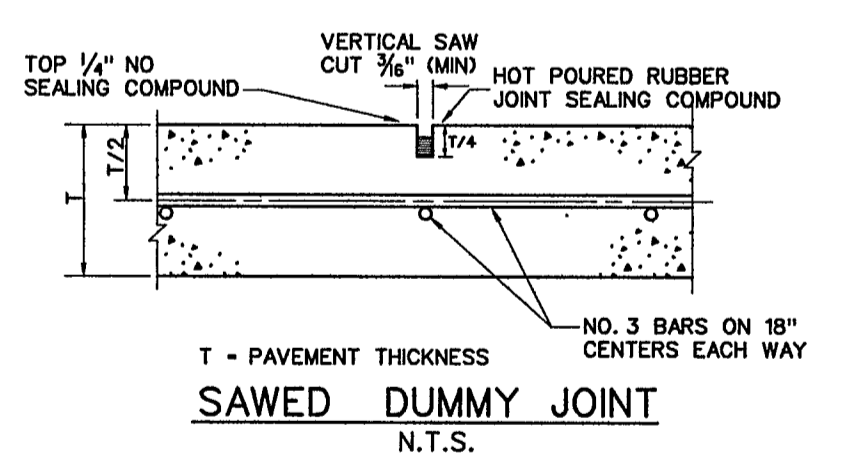
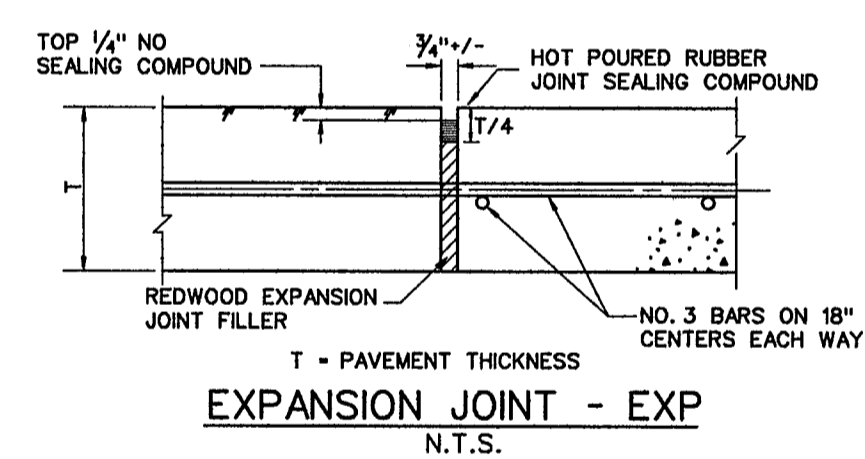
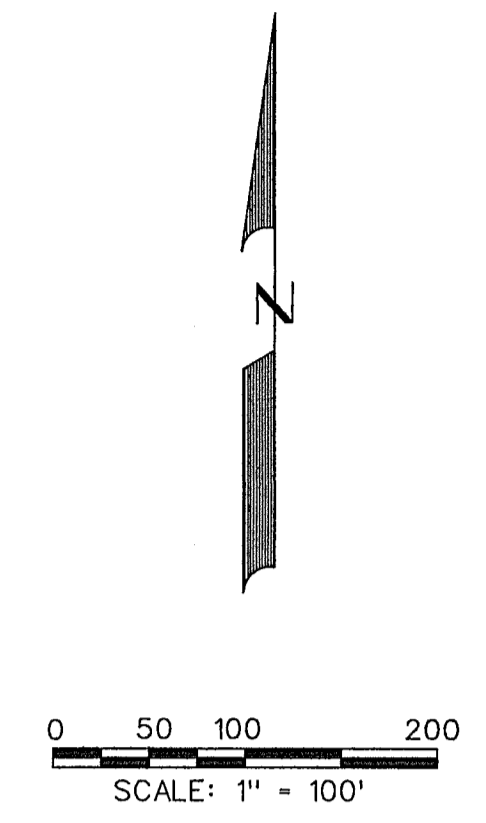
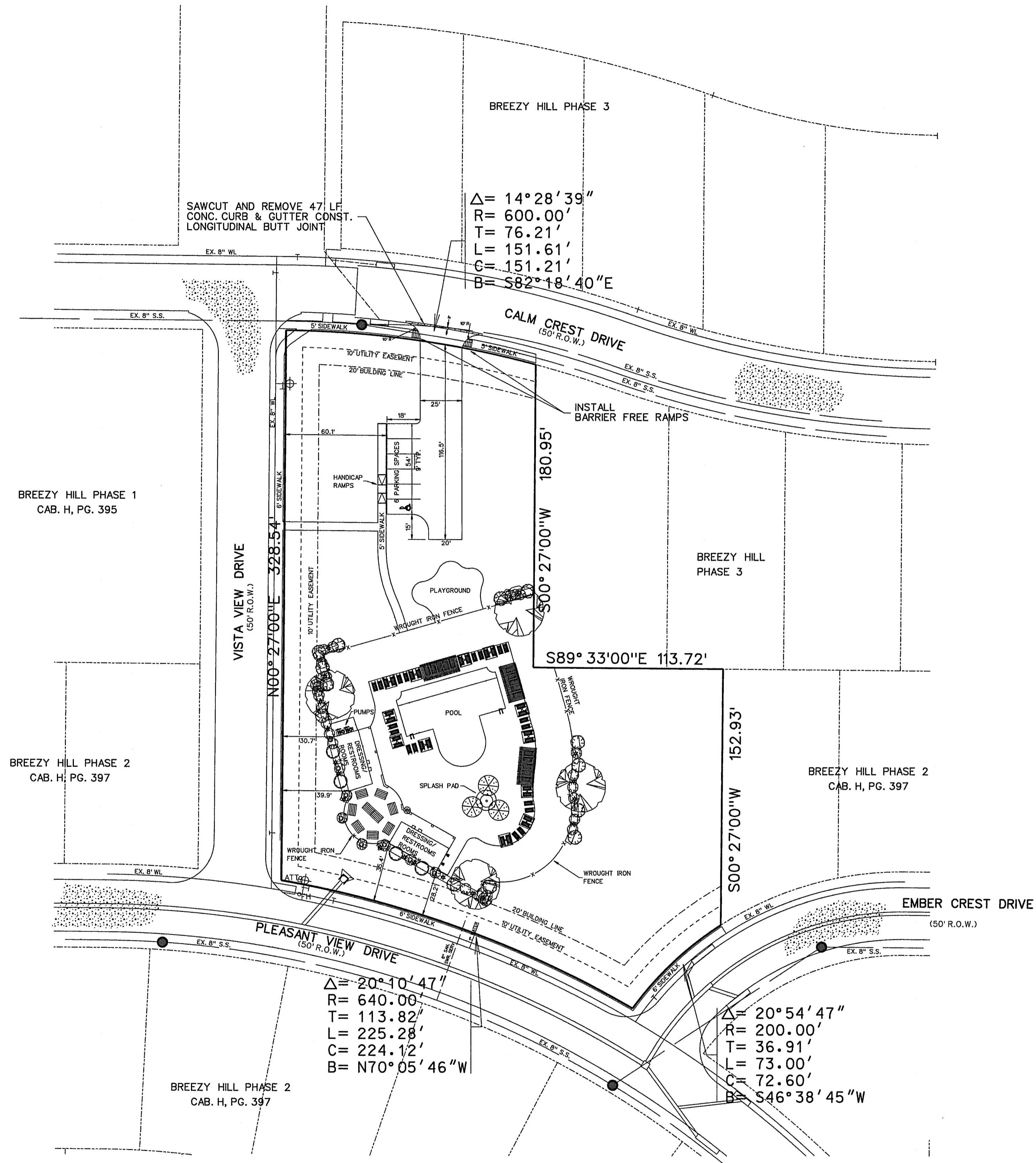
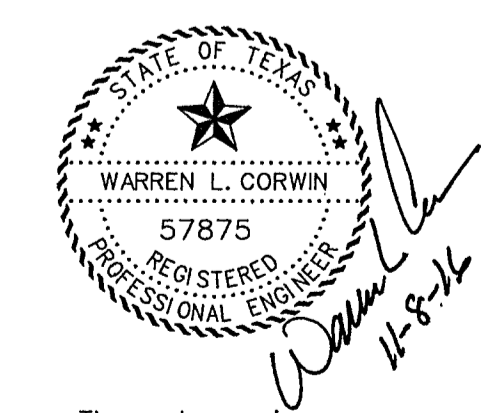


LOCATION MAP
N.T.S.



AS-BUILT NOVEMBER 2016
INFORMATION PROVIDED
BY CONTRACTORS
(NOT FIELD VERIFIED)



The seal appearing on this document was authorized by Warren L. Corwin, P.E. 57875, on November 8, 2016

TOTAL ACRES 1.648

CASE NO. SP2014-032

<p>CORWIN ENGINEERING, INC. 200 W. BELMONT, SUITE E ALLEN, TEXAS 75013 (972)396-1200 TBPE FIRM #5951</p>			
<p>DEVELOPMENT PLANS FOR BREEZY HILL AMENITY CENTER ROCKWALL, TEXAS</p>			
PAVING PLAN			
DRAWN BY	DESIGNED BY	CHECKED BY	SHEET NO.
JOB NUMBER 15008	DATE FEBRUARY 2015	SCALE:	4 OF 7