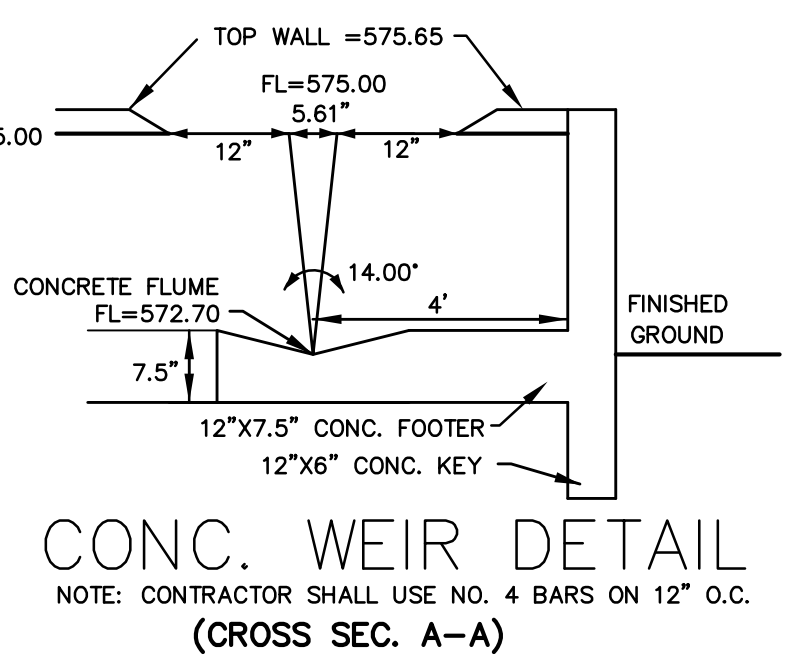


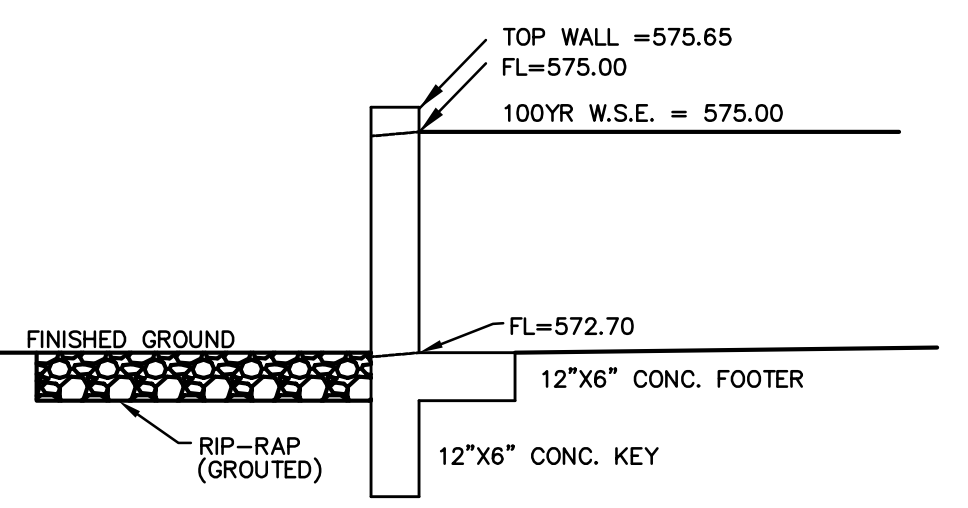
THE SEAL APPEARING ON THIS DOCUMENT WAS AUTHORIZED BY W.L. DOUPHRATE II TEXAS P.E. NO. 60102 ON

**DOUPHRATE & ASSOCIATES, INC.**  
ENGINEERING - PROJECT MANAGEMENT - SURVEYING  
22535 RIDGE RD., # 200 ROCKWALL, TEXAS 75087  
PHONE: (972)771-9004 FAX: (972)771-9005

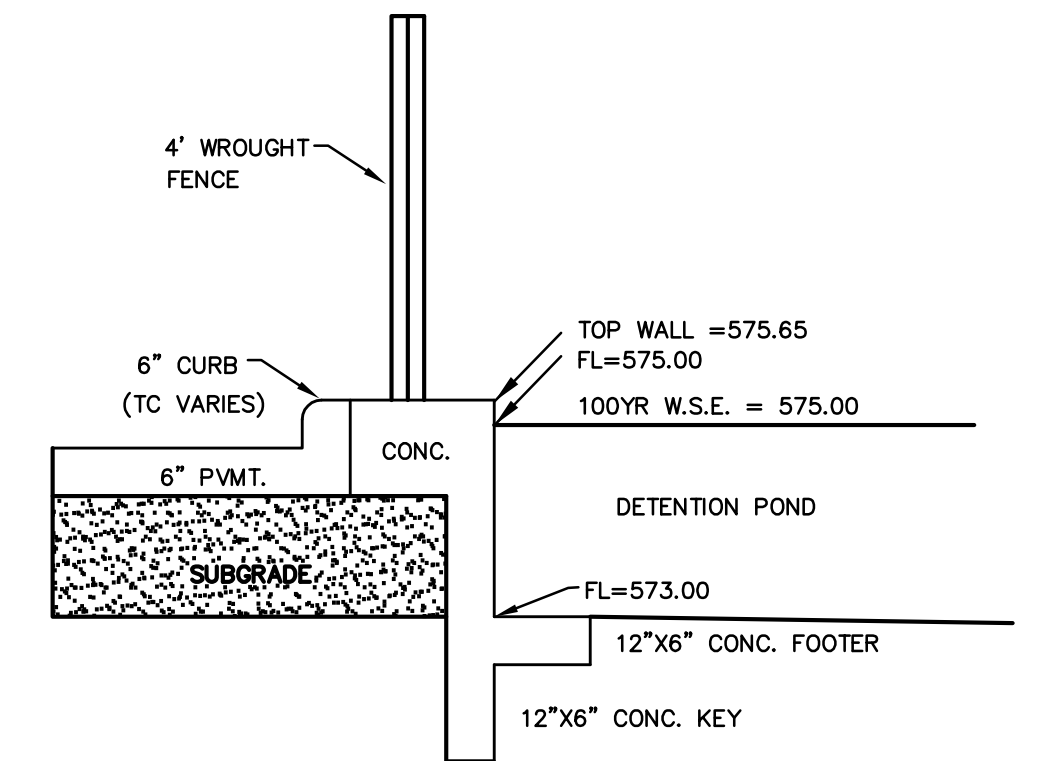
**GRADING PLAN**  
**BIN 303 RESTAURANT**  
CITY OF ROCKWALL, ROCKWALL COUNTY, TEXAS



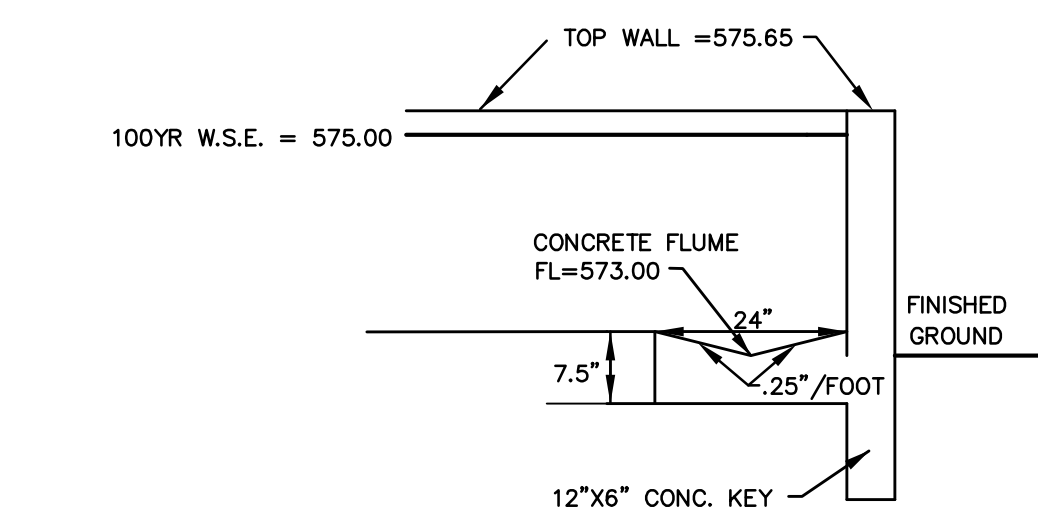
**CONC. WEIR DETAIL**  
NOTE: CONTRACTOR SHALL USE NO. 4 BARS ON 12" O.C.  
(CROSS SEC. A-A)  
CONTRACTOR MAY USE A RETAINING WALL EQUAL TO OR BETTER THAN THE ONE DETAILED



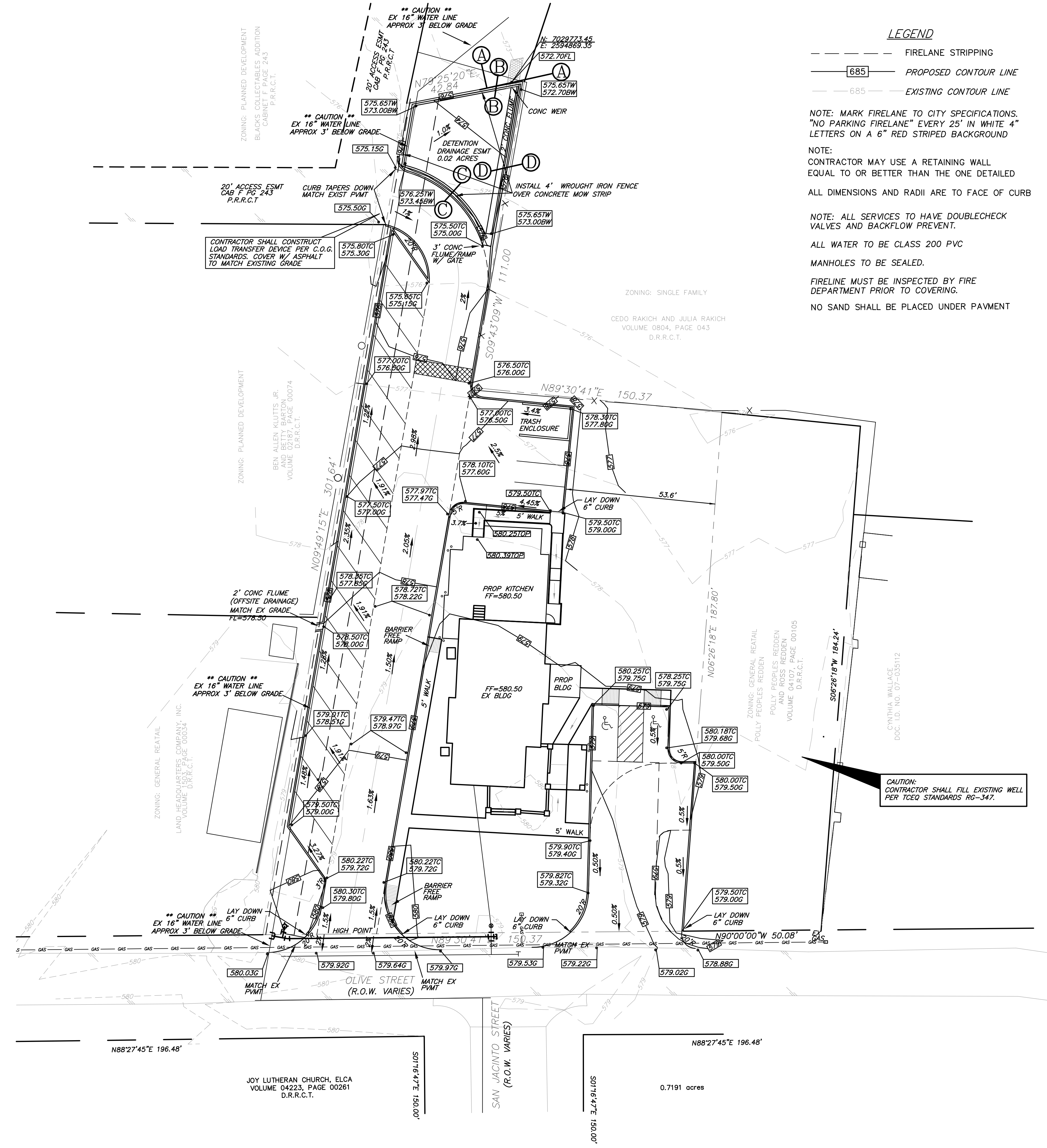
**CONC. WEIR DETAIL**  
NOTE: CONTRACTOR SHALL USE NO. 4 BARS ON 12" O.C.  
(CROSS SEC. B-B)  
CONTRACTOR MAY USE A RETAINING WALL EQUAL TO OR BETTER THAN THE ONE DETAILED



**CONC. WEIR DETAIL**  
NOTE: CONTRACTOR SHALL USE NO. 4 BARS ON 12" O.C.  
(CROSS SEC. C-C)  
CONTRACTOR MAY USE A RETAINING WALL EQUAL TO OR BETTER THAN THE ONE DETAILED



**CONC. FLUME DETAIL**  
NOTE: CONTRACTOR SHALL USE NO. 4 BARS ON 12" O.C.  
(CROSS SEC. D-D)  
CONTRACTOR MAY USE A RETAINING WALL EQUAL TO OR BETTER THAN THE ONE DETAILED



**LEGEND**  
--- FIRELANE STRIPPING  
--- 685 --- PROPOSED CONTOUR LINE  
--- 685 --- EXISTING CONTOUR LINE

NOTE: MARK FIRELANE TO CITY SPECIFICATIONS. "NO PARKING FIRELANE" EVERY 25' IN WHITE 4" LETTERS ON A 6" RED STRIPED BACKGROUND

NOTE: CONTRACTOR MAY USE A RETAINING WALL EQUAL TO OR BETTER THAN THE ONE DETAILED

ALL DIMENSIONS AND RADII ARE TO FACE OF CURB

NOTE: ALL SERVICES TO HAVE DOUBLECHECK VALVES AND BACKFLOW PREVENT.

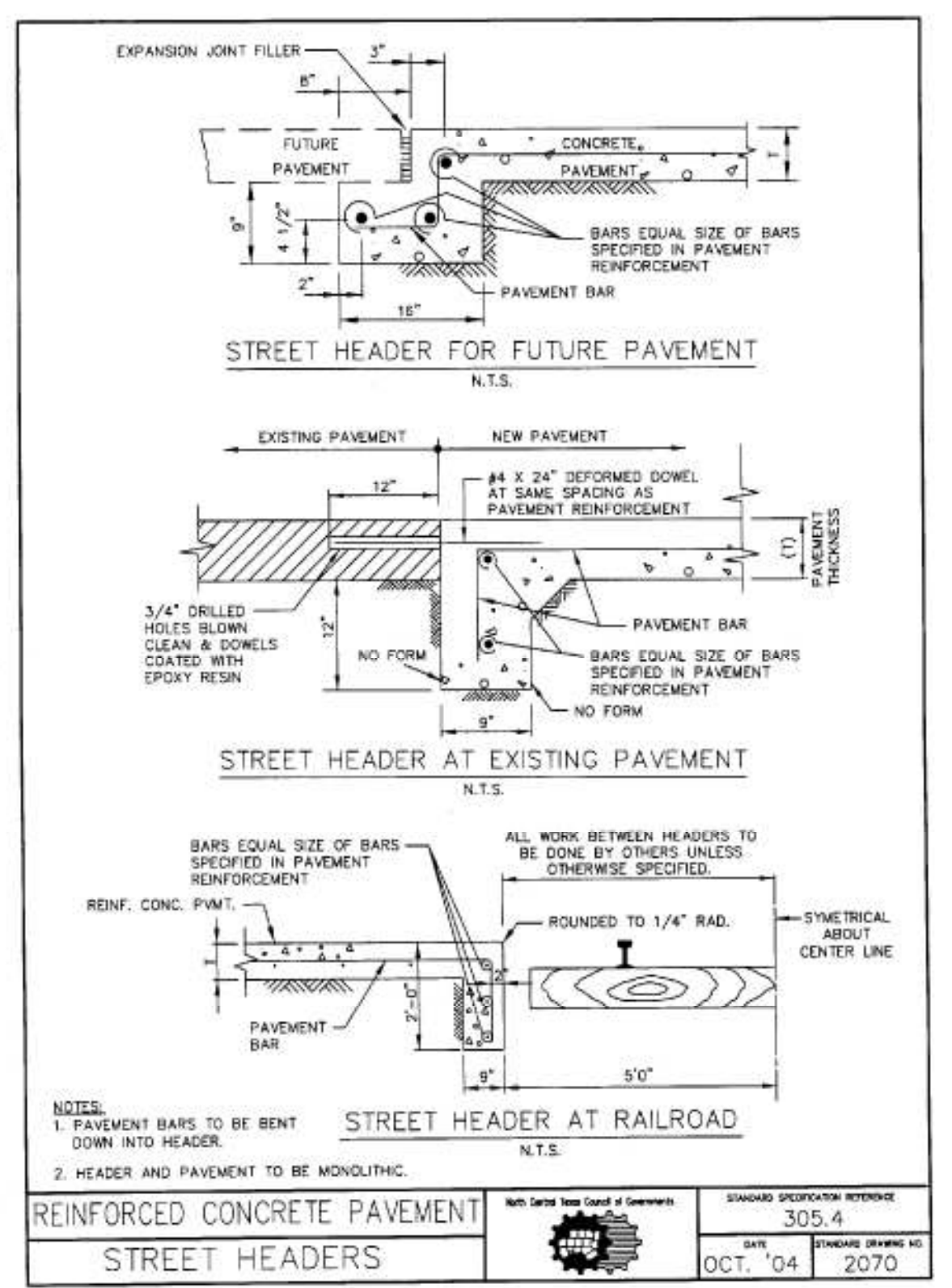
ALL WATER TO BE CLASS 200 PVC

MANHOLES TO BE SEALED.

FIRELINE MUST BE INSPECTED BY FIRE DEPARTMENT PRIOR TO COVERING.

NO SAND SHALL BE PLACED UNDER PAVEMENT

**LOAD TRANSFER DEVICE / STREET HEADER**



REINFORCED CONCRETE PAVEMENT	DATE: OCT. '04	REVISION: 305.4
STREET HEADERS	DATE: 2070	REVISION:

**RECORD DRAWING**

THIS DRAWING HAS BEEN REVISED TO REFLECT CONSTRUCTION RECORDS MAINTAINED AND PROVIDED BY THE CONTRACTOR FOR THIS PROJECT.

CONTRACTOR = DEAN CATHY  
DATE REVISED = 5-14-09

REVISION	W.L.D.
CHECKED	D.A.C.
DRAWN	09/08
DATE	0808 GRADE
PROJECT	