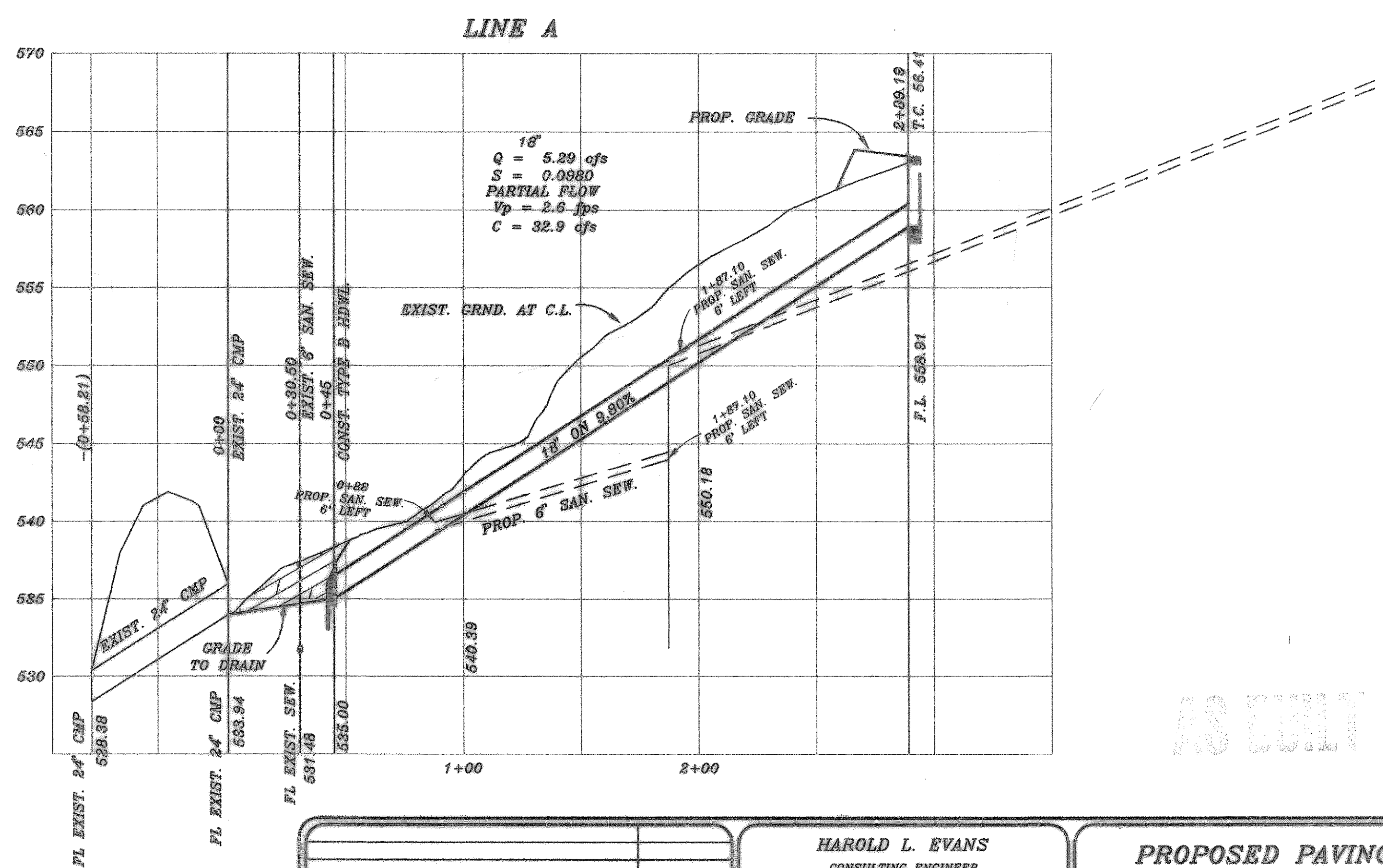
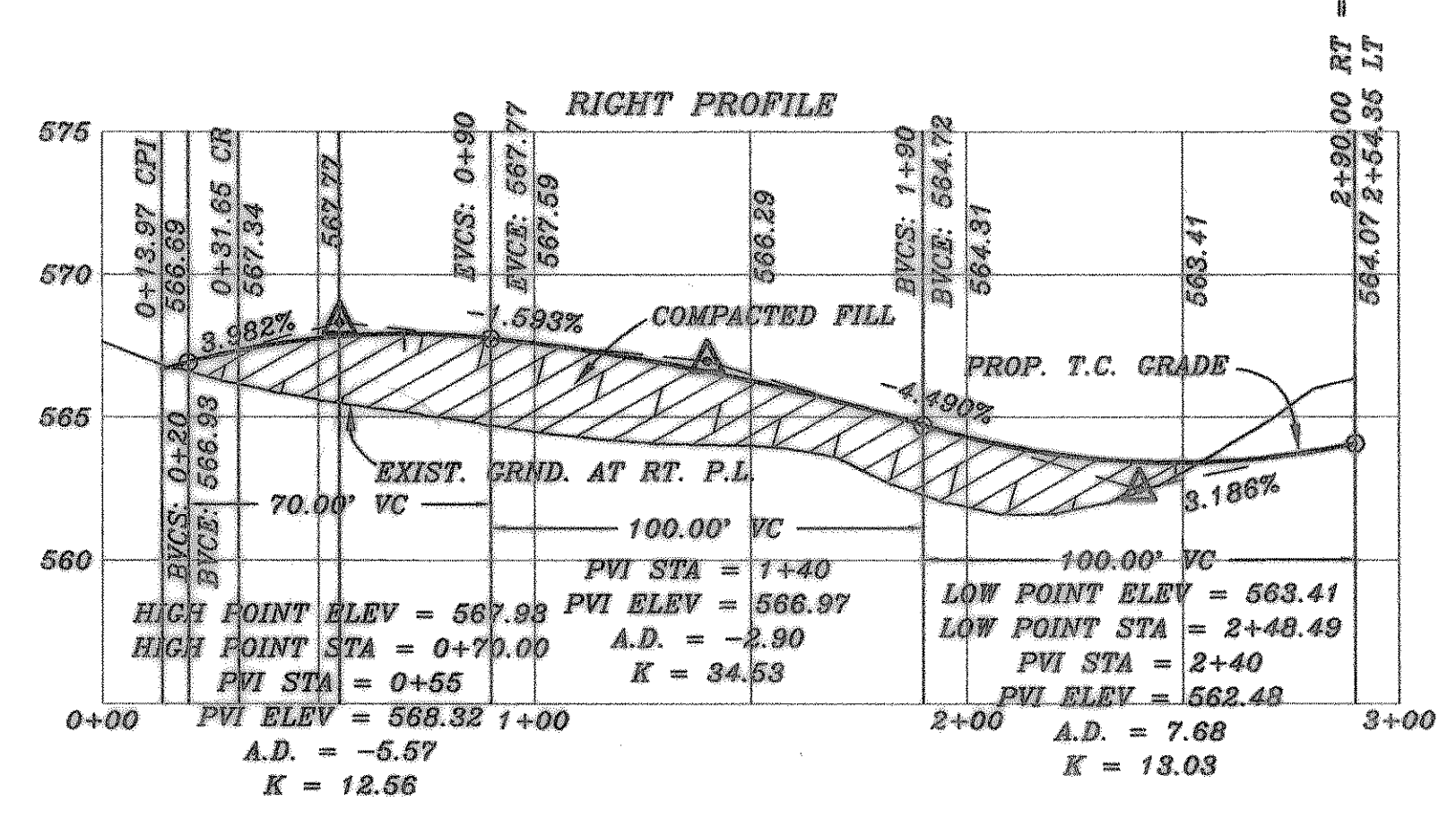
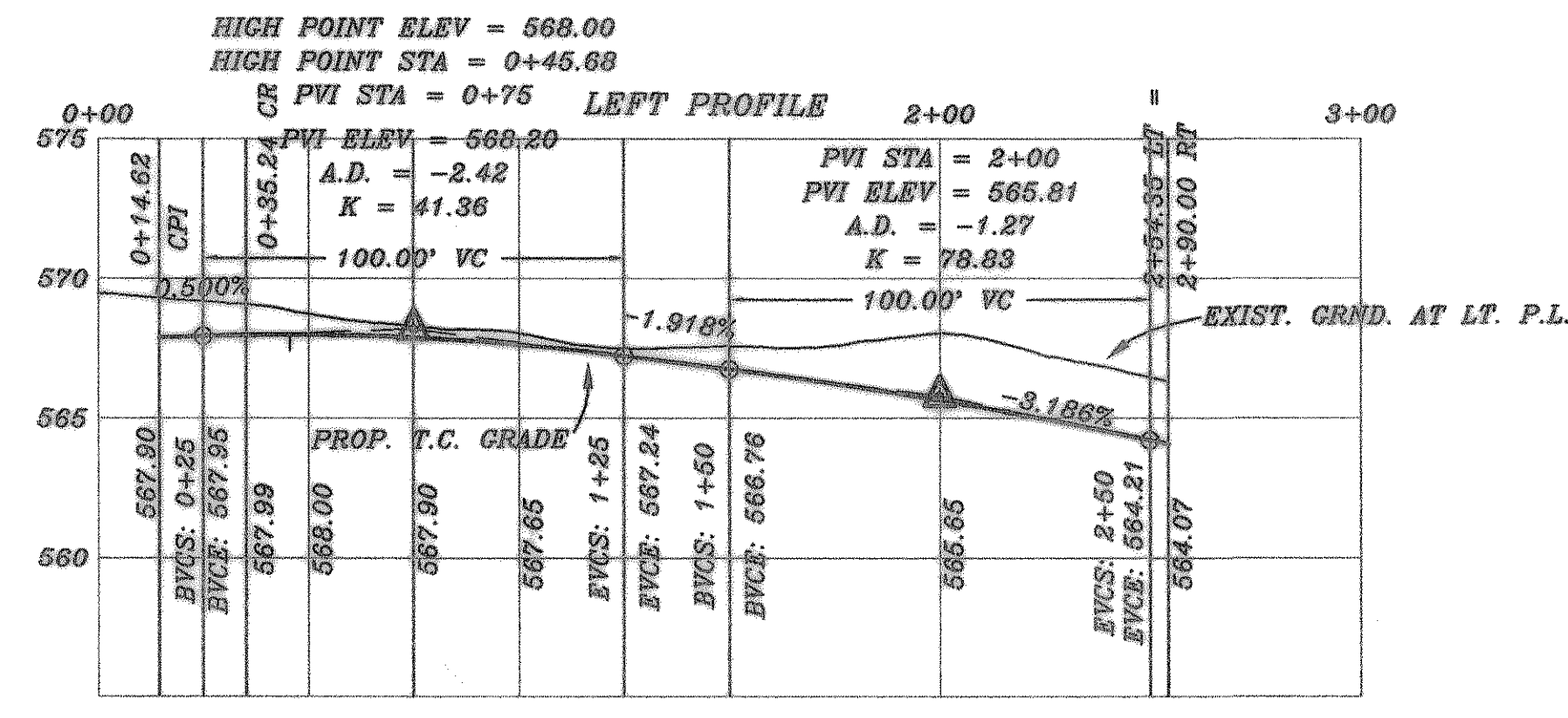
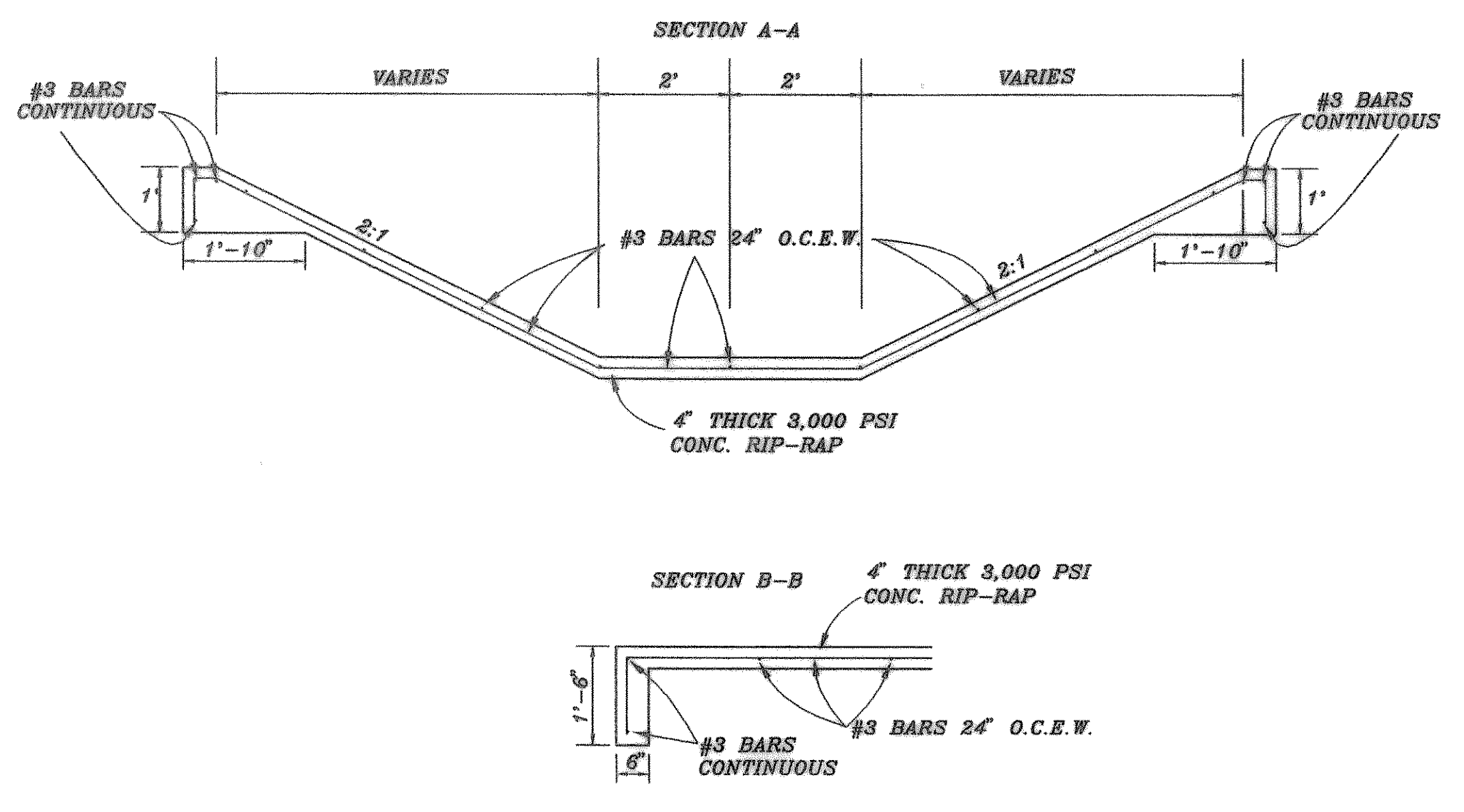
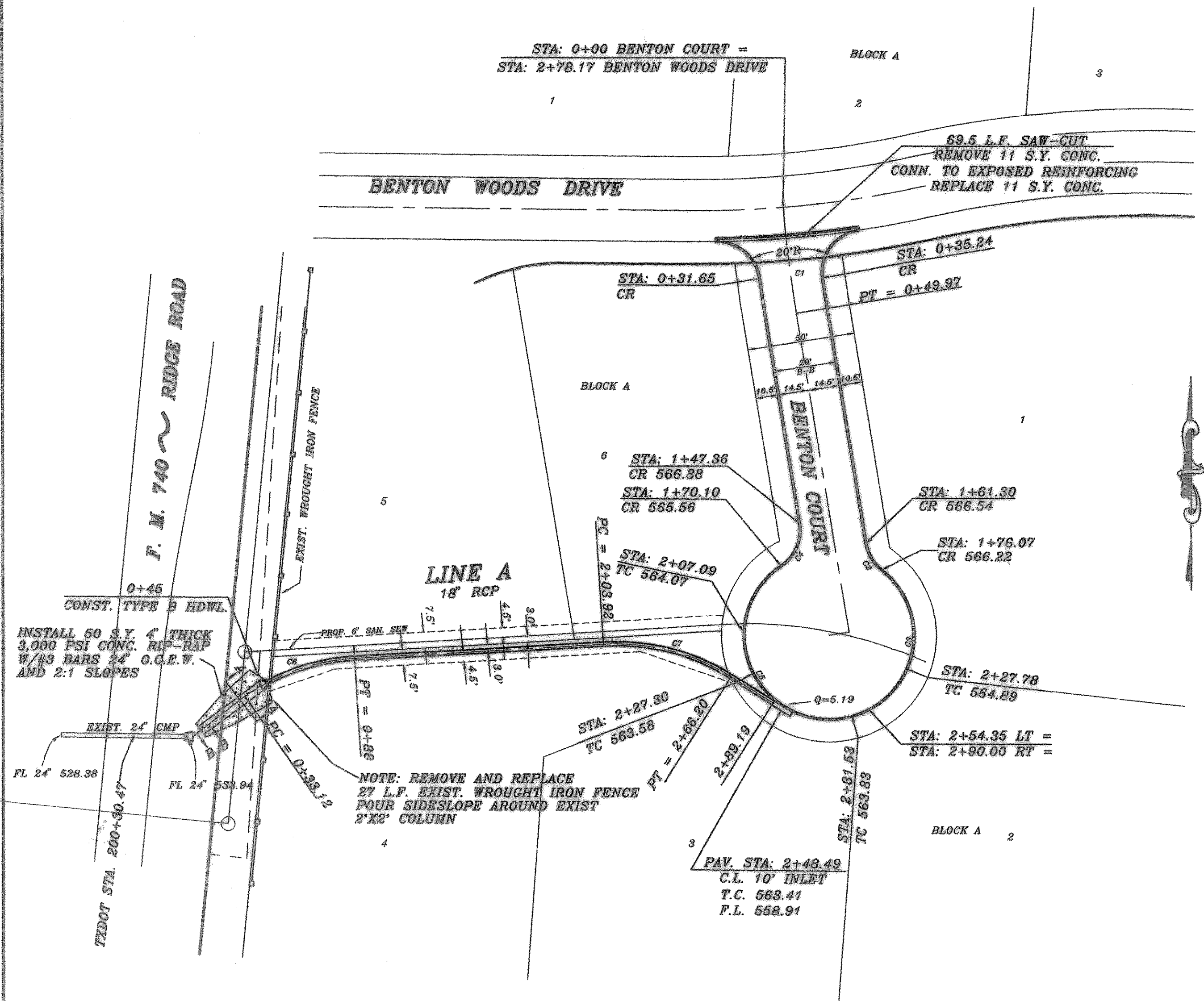


CURVE	RADIUS	LENGTH	TANGENT	CHORD	BEARING	DELTA
C1	622.78'	49.97'	25.00'	49.96'	S06°55'40" E	04°36'51"
C2	20.00'	14.77'	7.74'	14.44'	S30°22'57" E	42°18'41"
C3	39.50'	78.28'	60.31'	66.09'	S05°14'14" W	115°33'04"
C4	20.00'	22.74'	12.78'	21.54'	S23°21'03" W	65°09'17"
C5	39.50'	119.00'	743.20'	78.89'	S31°01'48" E	173°54'55"
C6	100.00'	54.88'	28.15'	54.20'	N70°49'01" E	31°28'42"
C7	100.00'	62.28'	32.19'	61.28'	N75°37'05" W	36°41'05"



REVISION DESCRIPTION REV. PER CITY REVIEW NO. 2 REV. PER CITY REVIEW NO. 1	DATE	SCALE	DESIGN	DRAWN	HAROLD L. EVANS CONSULTING ENGINEER 2331 GUS THOMASSON ROAD, SUITE 102 DALLAS, TEXAS 75228, (214) 328-8193	PROPOSED PAVING & DRAINAGE BENTON COURT BENTON COURT CITY OF ROCKWALL	SHEET NO.
	4/22/98	1" = 40'	H.L.E.				4
	9/19/97	1" = 6'					6
							JOB NO.
							9747

