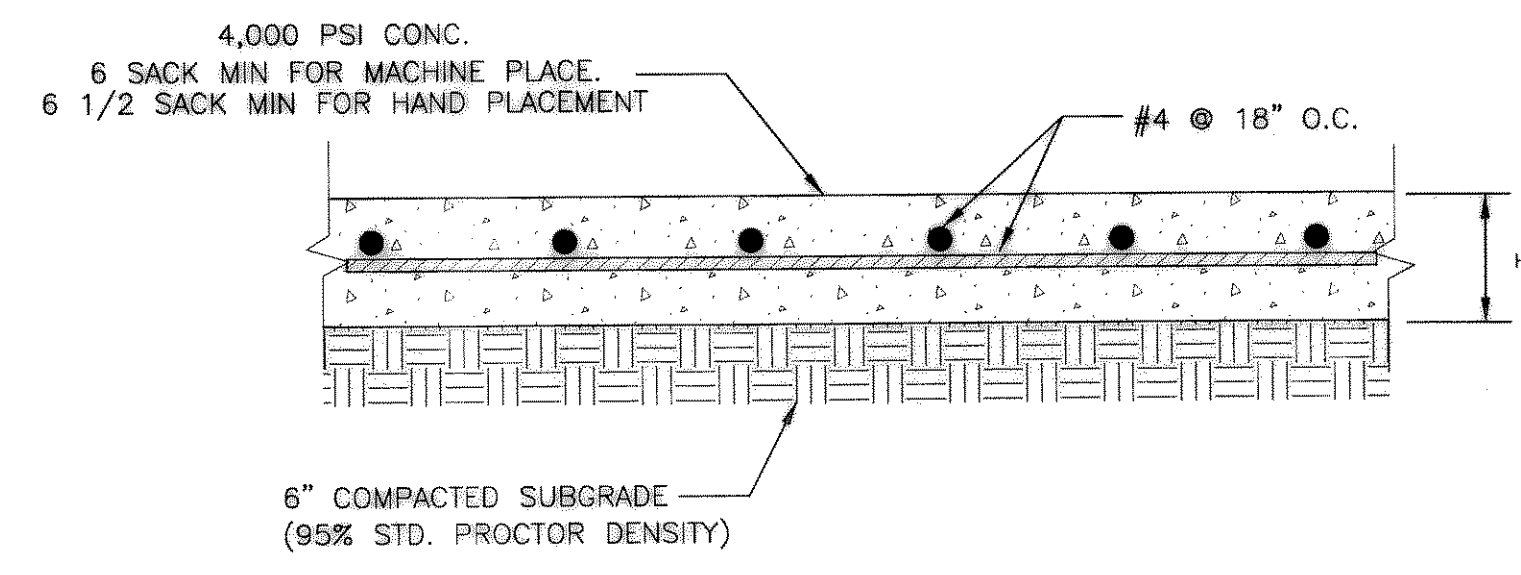


LEGEND:

- ==== E ==== EXPANSION JOINT
- T — TIE-IN JOINT
- C — CONSTRUCTION JOINT
- CONTRACTION JOINT
- ==== # ==== HEADER JOINT

- 8" ~ 3,600 PSI REINF PVMT ON 8" COMPACTED SUBGRADE (95% STD. PROCTOR DENSITY)
- 6" ~ 3,600 PSI REINF PVMT ON 8" COMPACTED SUBGRADE (95% STD. PROCTOR DENSITY)
- EXISTING DRIVEWAY

NOTE:
 ALL JOINT DETAILS PLEASE SEE CITY OF ROCKWALL PROVISIONS TO THE NORTH CENTRAL TEXAS STANDARD SPECIFICATION FOR PUBLIC WORKS CONSTRUCTION 3RD EDITION



TYPICAL CONC. SLAB
 NTS

AS BUILT

THIS IS TO CERTIFY THAT CHANGES AND CORRECTIONS HAVE BEEN MADE TO CONFORM TO THE CONTRACTOR'S RECORD OF THIS PROJECT.



REVISION NO.	DESCRIPTION	DATE	BY
PAVING PLAN			
LOT 7, BLOCK C			
HORIZON RIDGE MEDICAL PARK			
ARBOR HOUSE ASSISTED LIVING			
2401 TEE CIRCLE, SUITE 103, NORMAN, OK 73069 (405) 801-2879			
PSA ENGINEERING			
17819 DAVENPORT ROAD, SUITE 215 DALLAS, TX 75252 (972) 248-9851			
DESIGN	DRAWN	DATE	SCALE
PSA	PSA	06/15/09	AS SHOWN
CHECK	FILE	NO.	
PSS	2745.AHR	C-5	