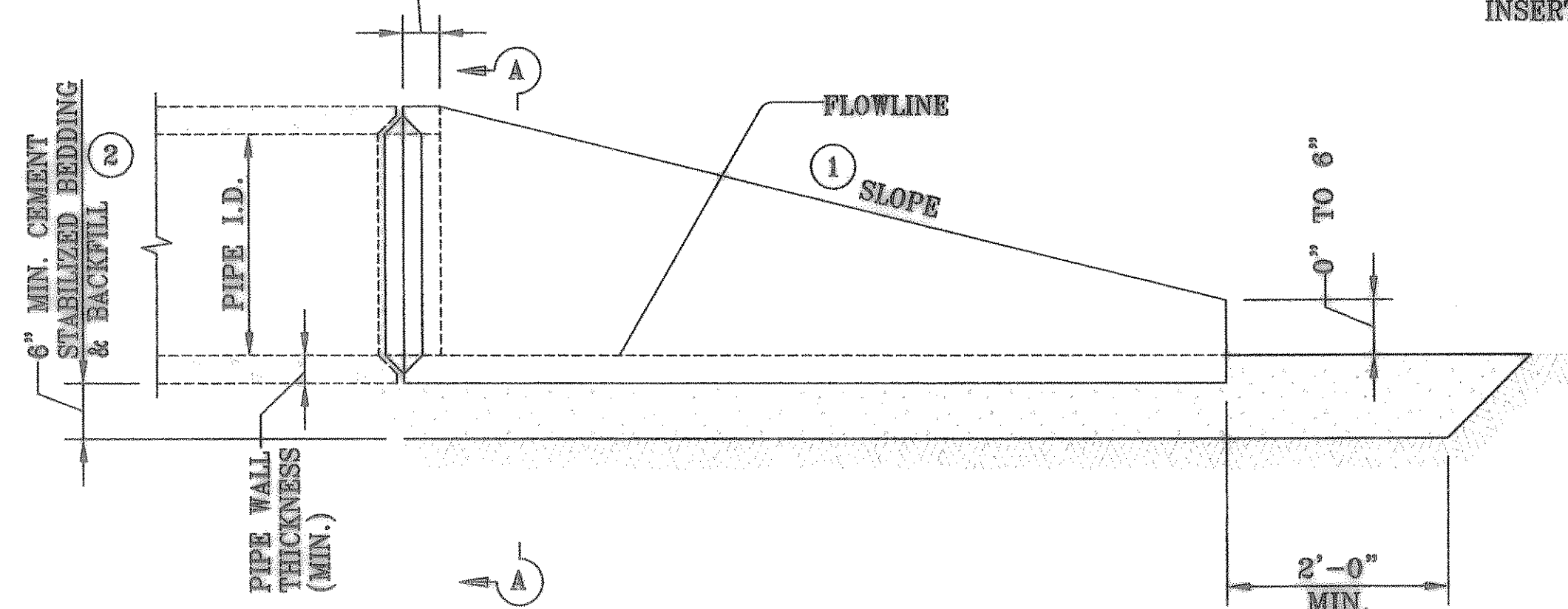
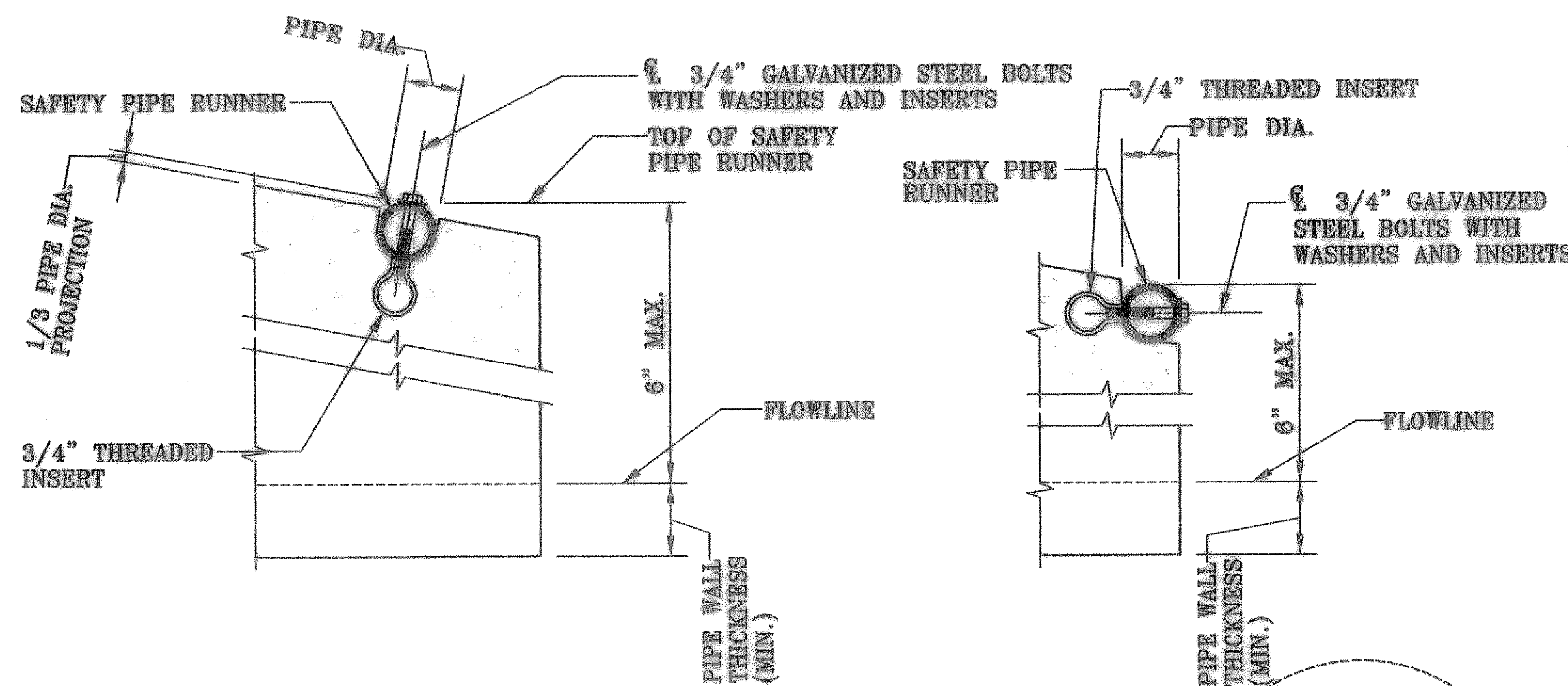


PLAN VIEW - 12" THRU 24"



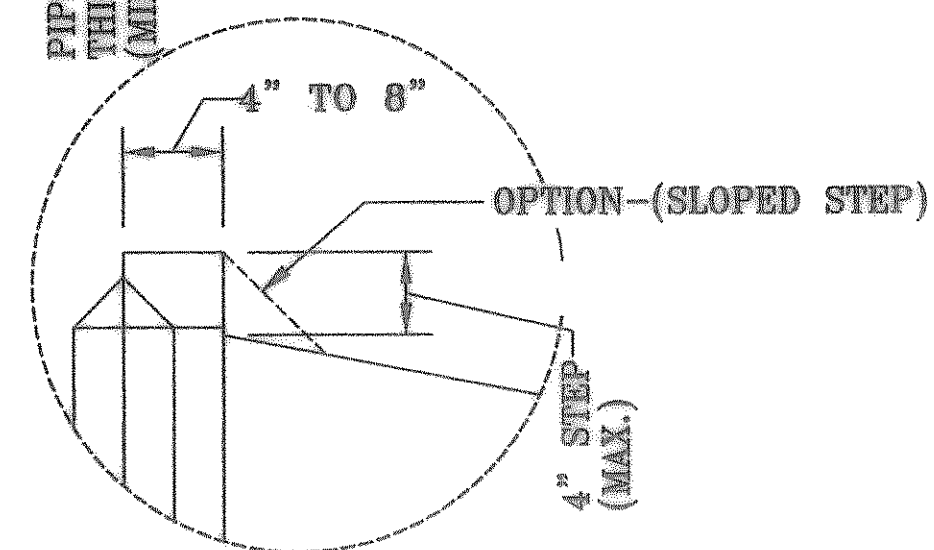
LONGITUDINAL ELEVATION - 12" THRU 24"



END DETAILS FOR INSTALLATION OF SAFETY PIPE RUNNERS

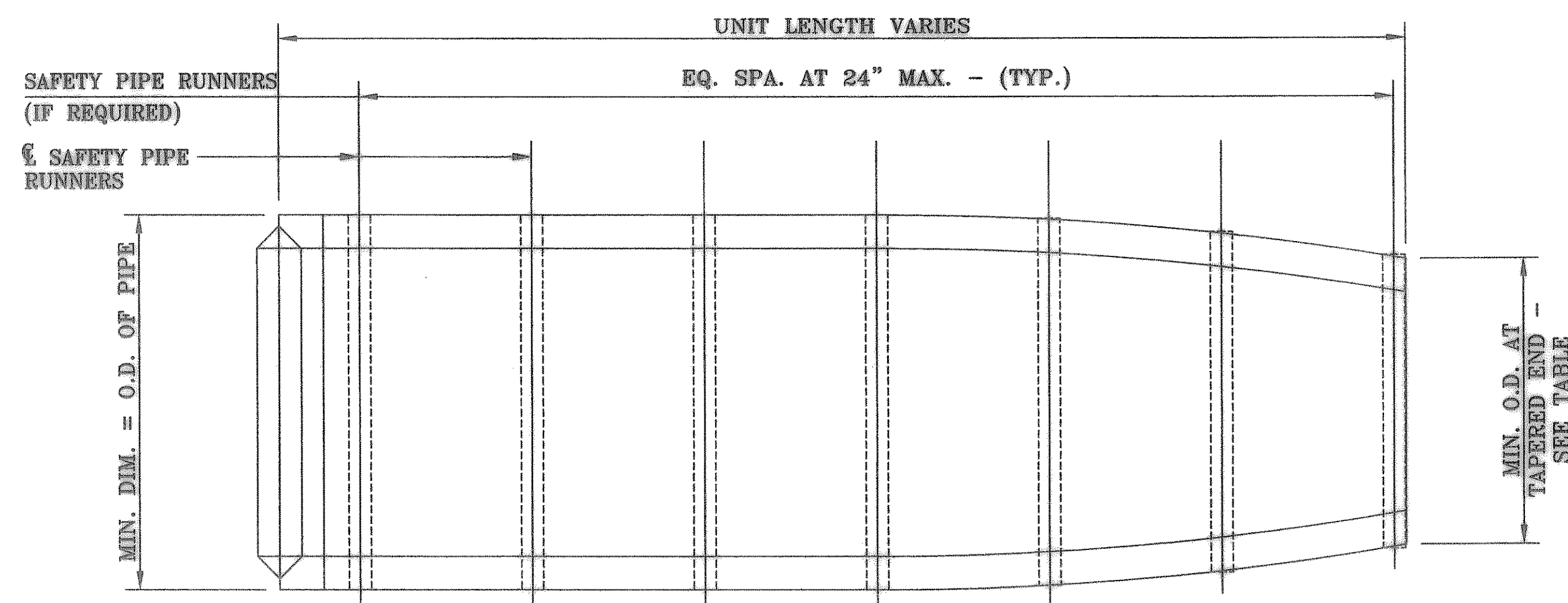
(IF REQUIRED)

- ① SLOPE AS SHOWN ELSEWHERE IN THE PLANS. SLOPE OF 6:1 OR FLATTER IS REQUIRED FOR VEHICLE SAFETY.
- ② CEMENT STABILIZED BEDDING AND BACKFILL SHALL BE IN ACCORDANCE WITH THE ITEM, "EXCAVATION AND BACKFILL FOR STRUCTURES". BEDDING AND BACKFILL SHALL BE CONSIDERED SUBSIDIARY TO THE ITEM "SAFETY END TREATMENT". WHEN CONCRETE RIPRAP IS SPECIFIED AROUND THE SAFETY END TREATMENT BACKFILL SHALL BE AS DIRECTED BY ENGINEER.

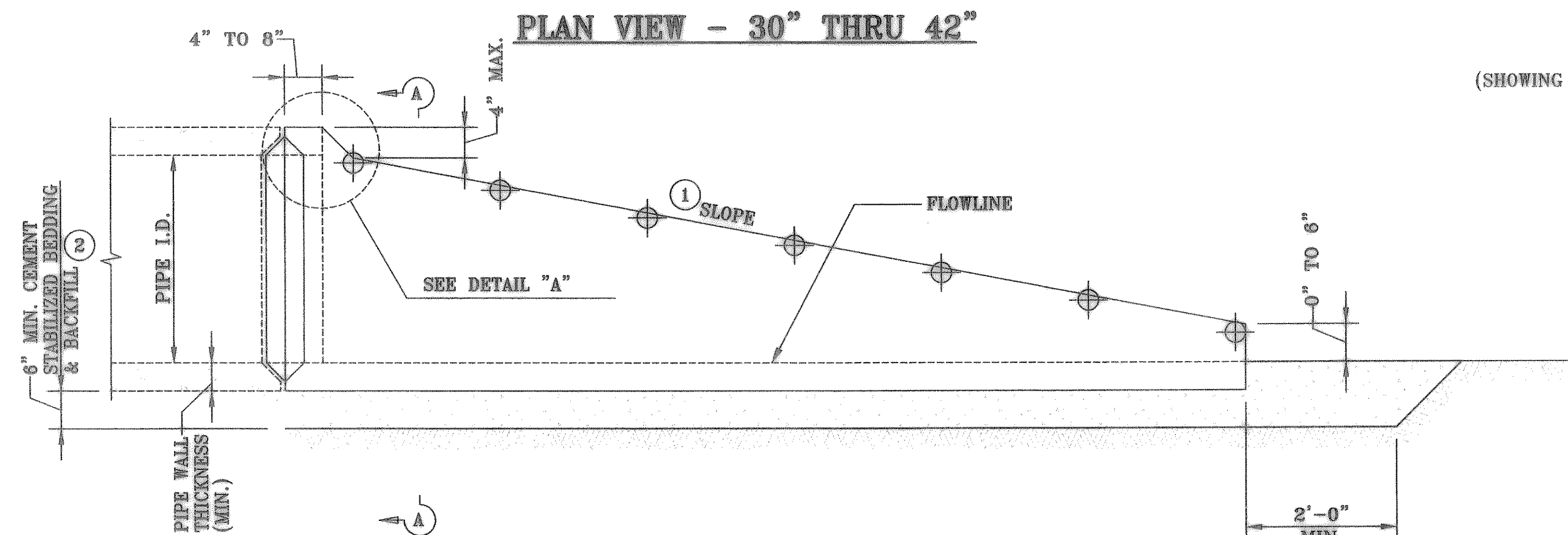


DETAIL "A"

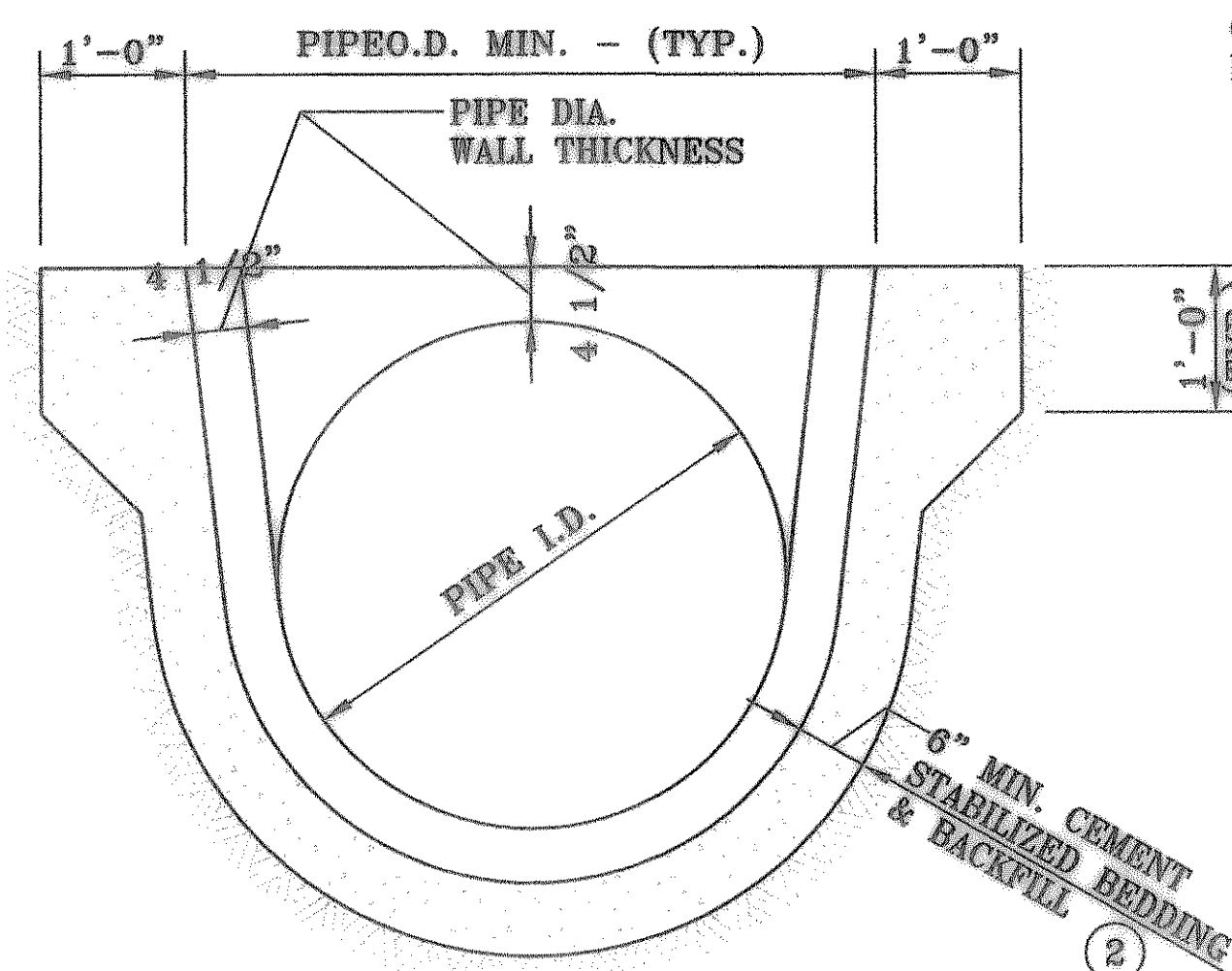
THE TOP 4" OF VOID BETWEEN PRECAST END TREATMENTS SHALL BE FILLED WITH CL "B" CONCRETE RIPRAP AND SHALL BE CONSIDERED SUBSIDIARY TO SAFETY END TREATMENT.



PLAN VIEW - 30" THRU 42"

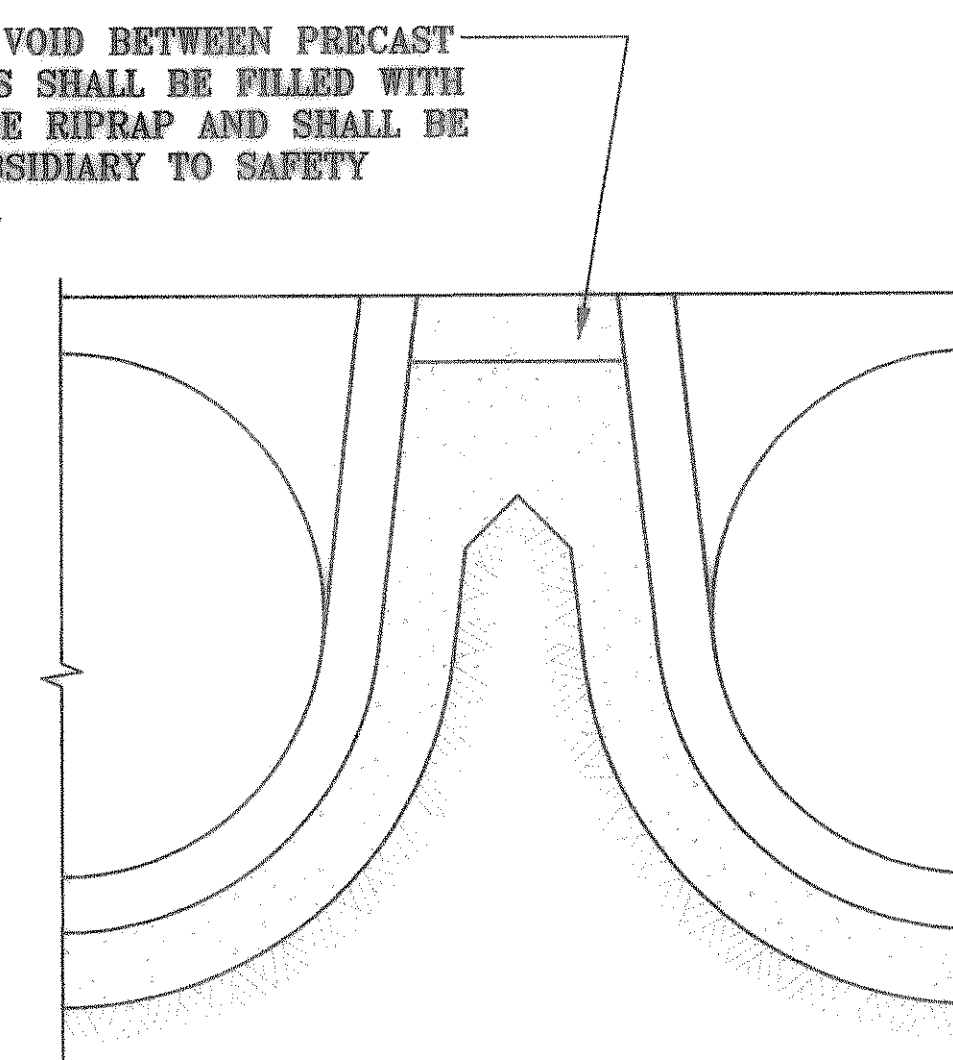


LONGITUDINAL ELEVATION - 30" THRU 42"



SECTION A-A

(SHOWING SINGLE PIPE INSTALLATION)



MULTIPLE PIPE INSTALLATION

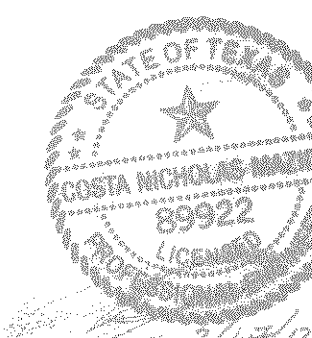
American Title/  
Chakmakjian Office Complex  
Ridge Road, Rockwall, Texas

**Mazidi Group**

Civil Engineering & Environmental Consulting  
11105 Fernald Avenue,  
Dallas, Texas 75218  
(214)349-7334

AS-BUILT SAFETY END TREATMENT

DATE: February 09, 2003  
DATE: October 11, 2001  
DWG: Chakmakjian / AmTitle  
PROJECT NO. MG205  
ISSUE LOG:  
1.  
2.  
3.



Sheet No.

C8

Sheet 8 of 9