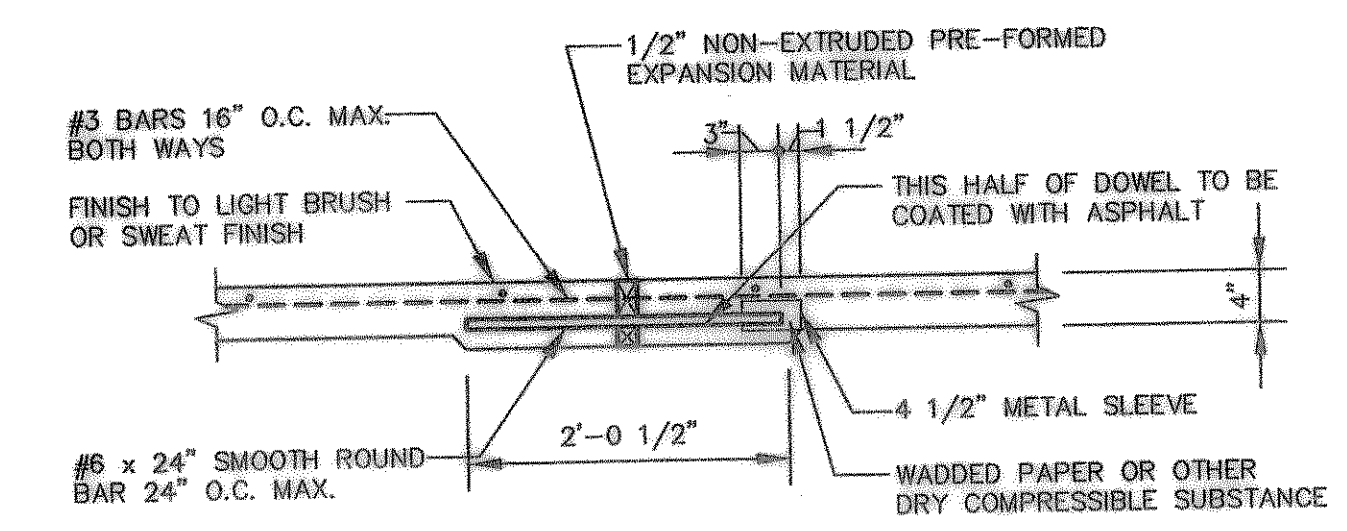
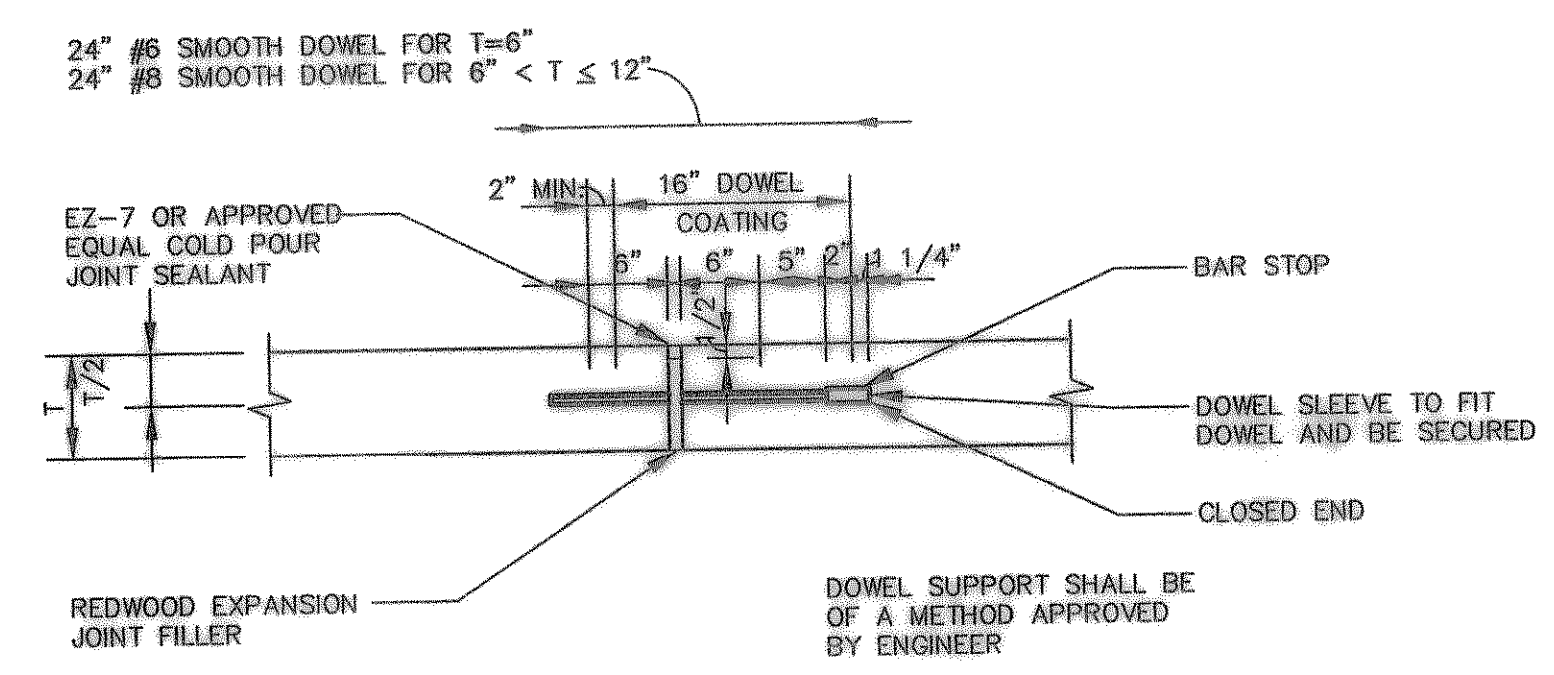


- NOTES:**
1. ALL HONEYCOMBS IN BACK OF CURB TO BE TROWEL - PLASTERED BEFORE POURING SIDEWALK.
 2. LUG MAY BE FORMED BY SHAPING SUBGRADE TO APPROXIMATE DIMENSIONS SHOWN.
 3. FOR SIDEWALKS AGAINST EXISTING CURB, KEYWAY SHALL BE REPLACED WITH 6" LONG #3 BARS DRILLED 4" INTO EXISTING BACK CURB AND EPOXY GROUTED ON 24" CENTERS.
 4. PAYMENT FOR EXCAVATION, BORROW, SUBGRADE STABILIZATION, AND COMPACTION IS SUBSIDIARY TO CONCRETE SIDEWALK PAY ITEM.
 5. BACKFILL FOR SIDEWALK SUBGRADE SHALL BE LIME STABILIZED SOIL OR SELECT BORROW MATERIAL HAVING A P.I. NOT LESS THAN 10 NOR GREATER THAN 18.
 6. SIDEWALK BACKFILL AND SUBGRADE SHALL BE COMPACTED IN LIFTS NOT TO EXCEED 6" TO 95% OF ASTM D698 DENSITY WITH A MOISTURE WITHIN -2% TO -4% OF OPTIMUM MOISTURE.
 7. NO MORE THAN 1-1/2" SAND IS UNDER SIDEWALK.

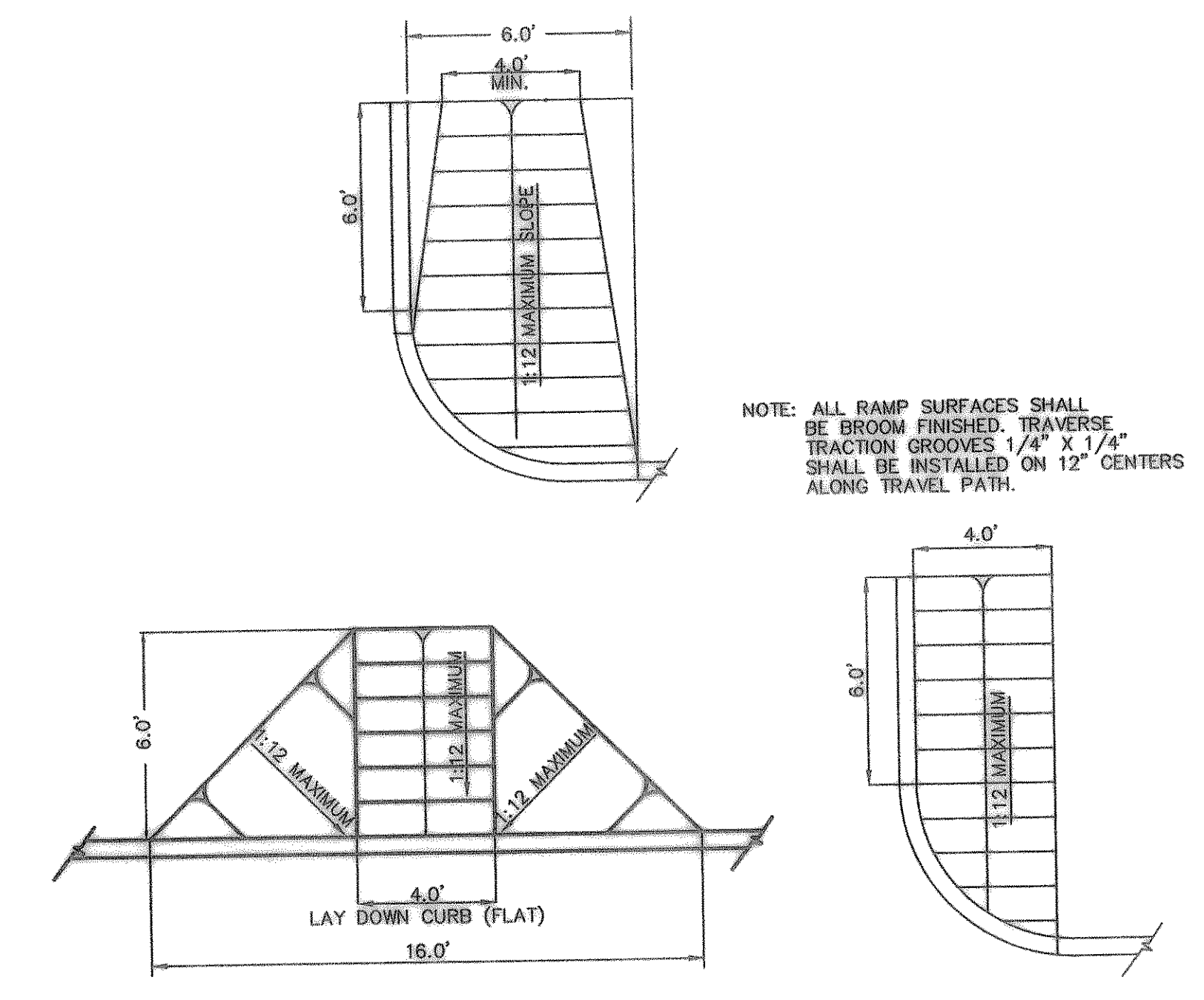
1 JOINT DETAIL FOR SIDEWALK ADJACENT TO CURB
NO SCALE



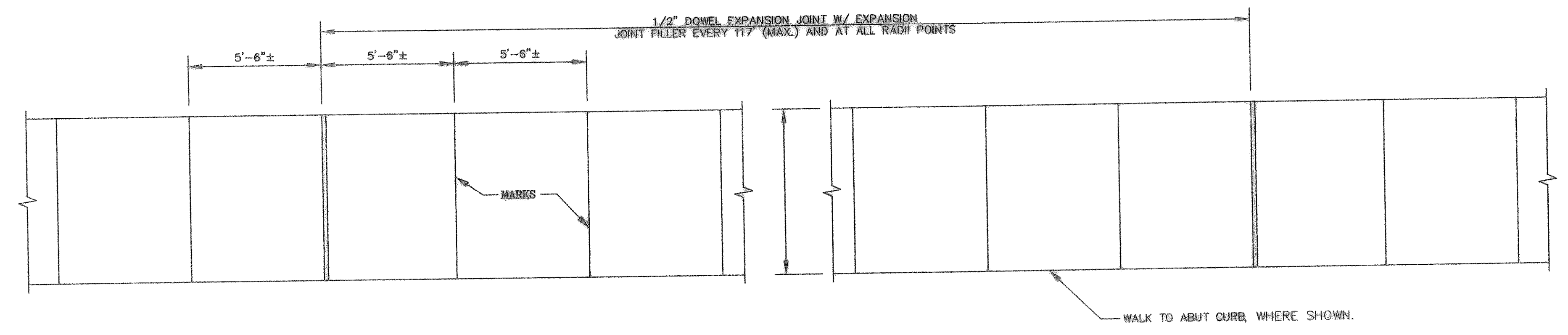
2 EXPANSION JOINT DETAIL
NO SCALE



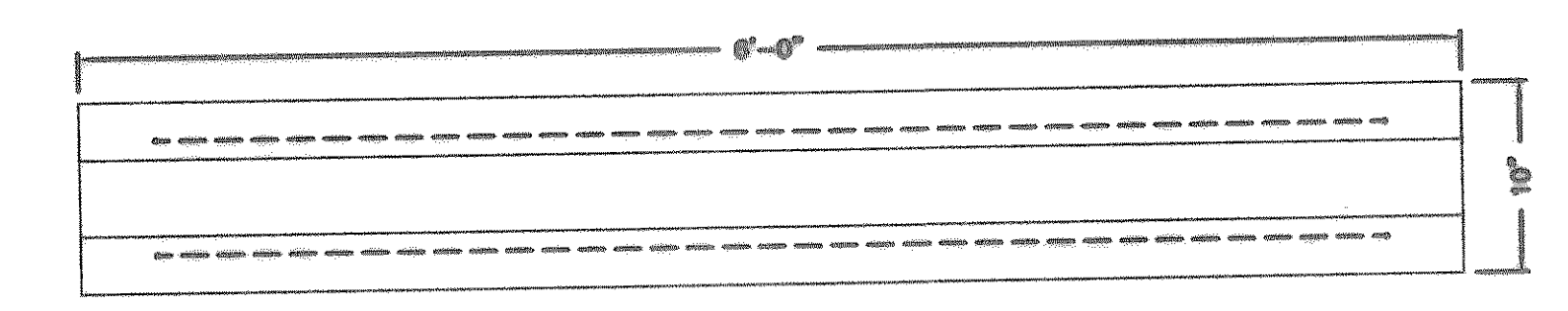
4 TRANSVERSE EXPANSION JOINT
NO SCALE
IDENTICAL FOR STREETS AND ALLEYS



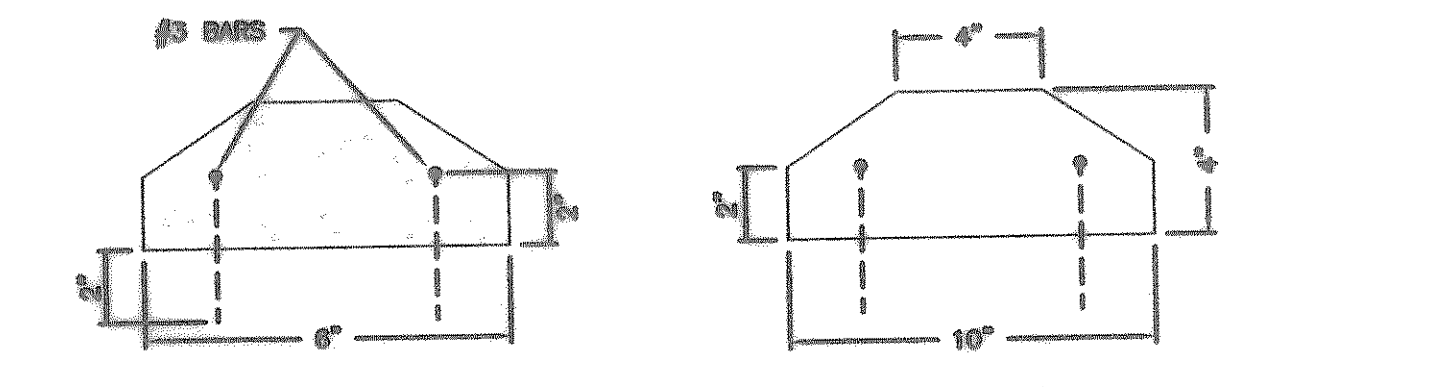
PEDESTRIAN RAMP
N.T.S.



3 REINFORCED CONCRETE SIDEWALK
NO SCALE



PLAN
SHOWING DIMENSIONS



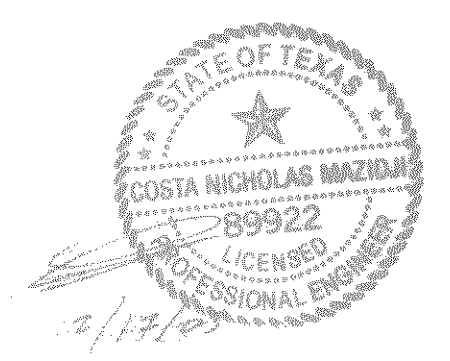
CROSS SECTION
SHOWING STEEL

END VIEW
SHOWING DIMENSIONS



LONGITUDINAL SECTION
SHOWING STEEL

PARKING LOT BUMPER CURB
N.T.S.



**American Title/
Chakmakjian Office Complex**
Ridge Road, Rockwall, Texas

Muzidji Group
Civil Engineering & Environmental Consulting
11105 Fernald Avenue,
Dallas, Texas 75218
(214)349-7334

AS-BUILT DETAILS
DATE: February 09, 2003
DATE: October 11, 2001
DWG: Chakmakjian / AmTitle
PROJECT NO. MG205
ISSUE LOG:
1.
2.
3.

Sheet No.
C9
Sheet 9 of 9