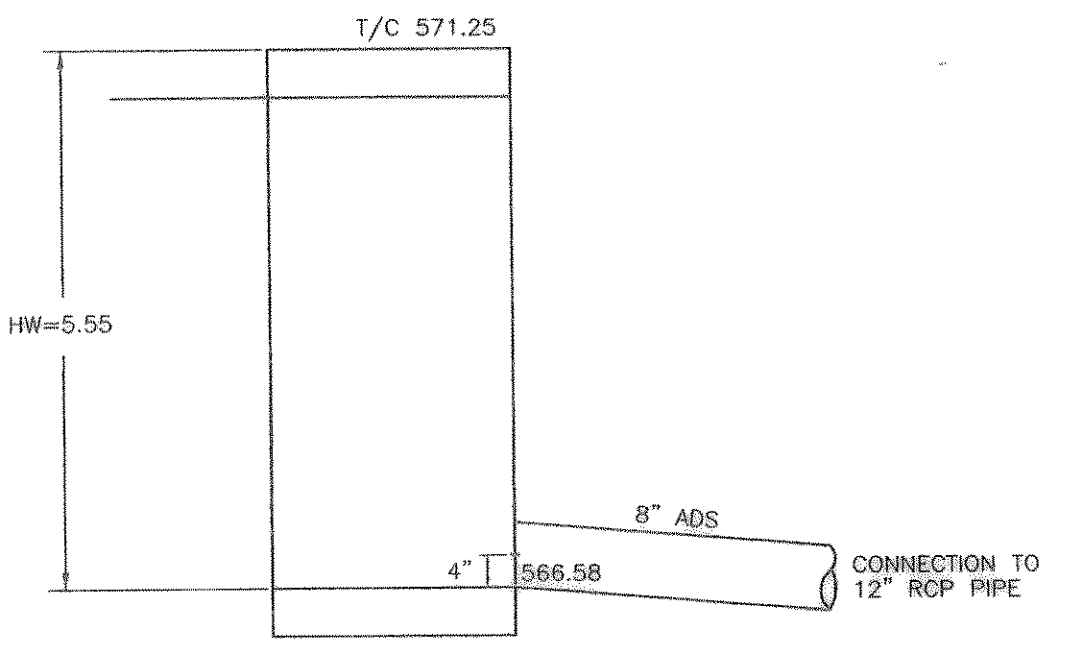
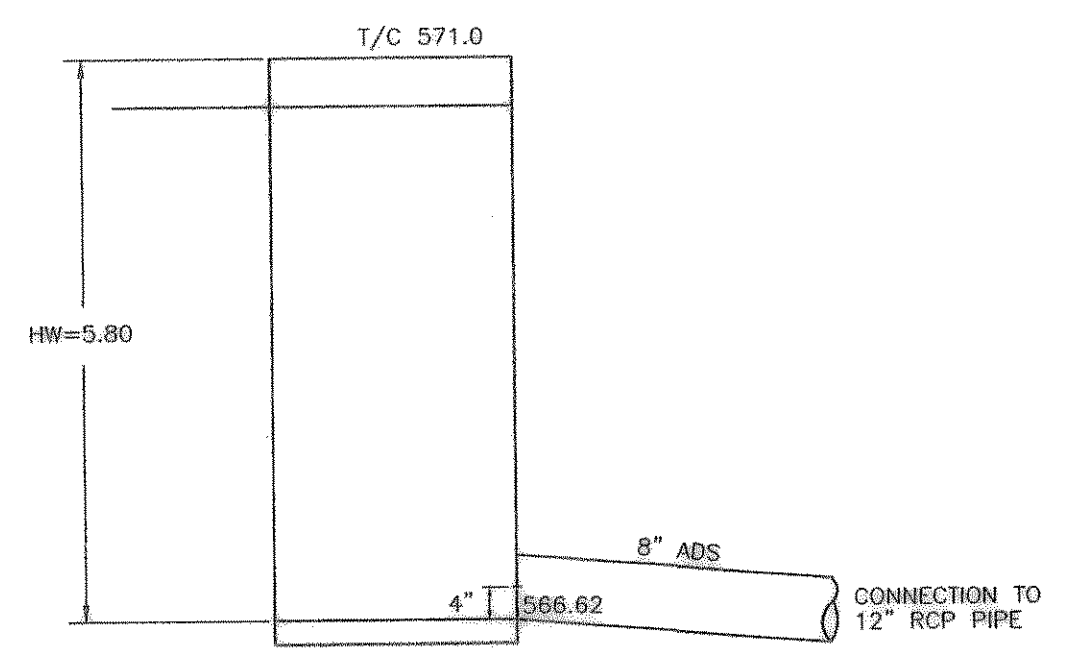


SCREENING WALL DETAILS  
Scale: Not To Scale

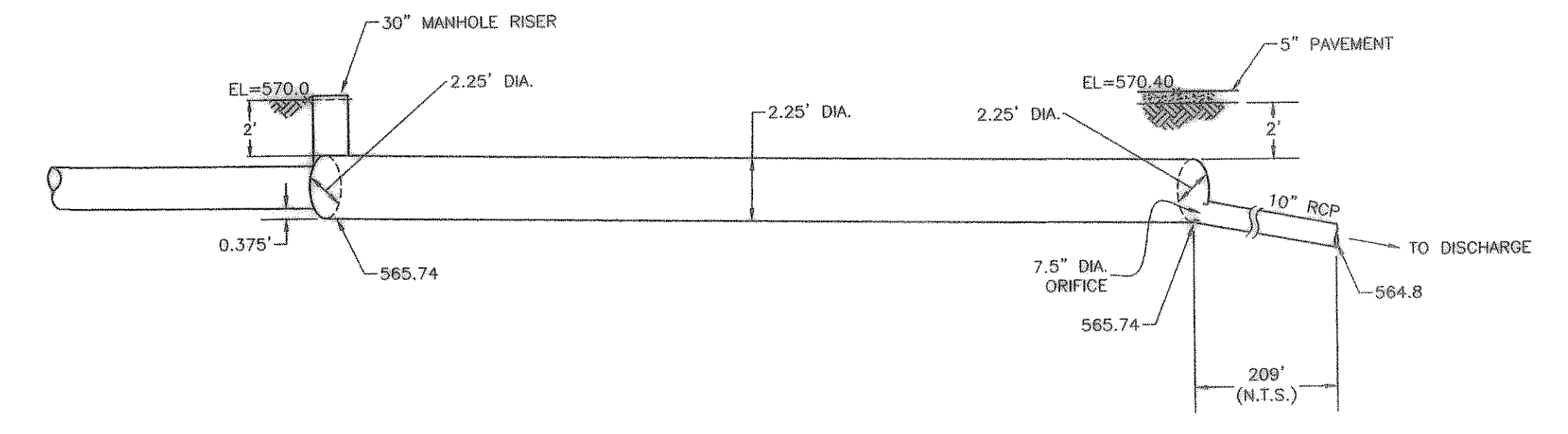


CROSS SECTION  
5' ORIFICE CURB INLET NO. 1  
Scale: 1"=2'

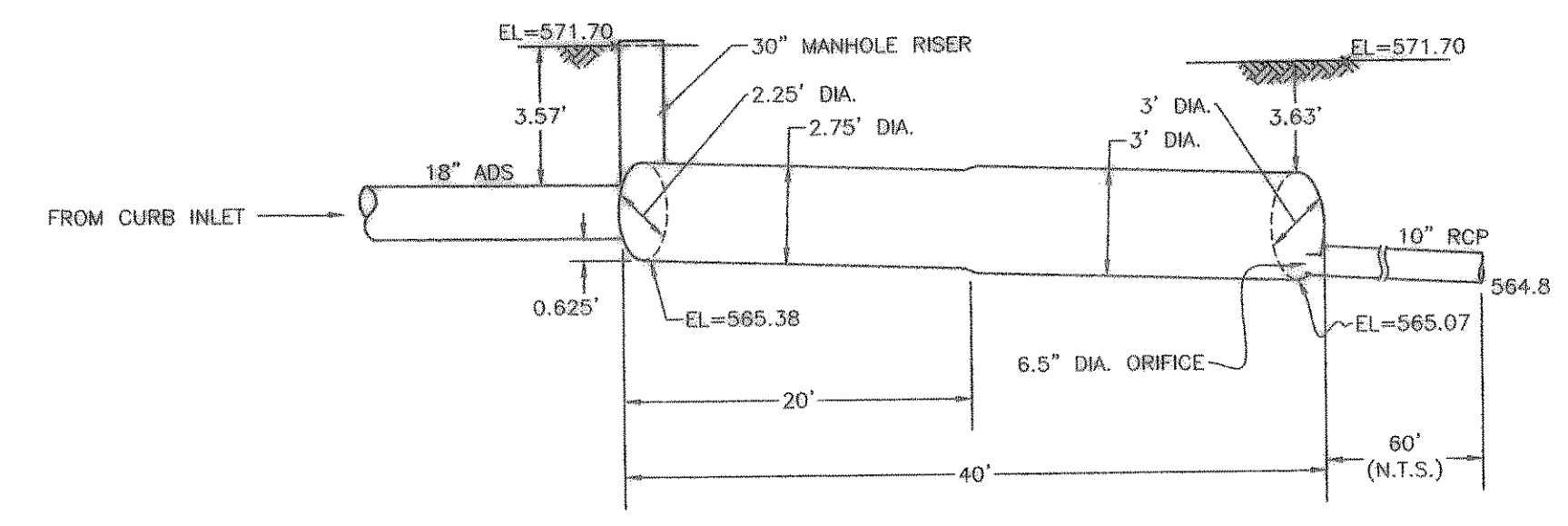
ORIFICE SIZE FOR CURB INLETS  
NO. 1 & NO. 2  
Scale: 1"=1'



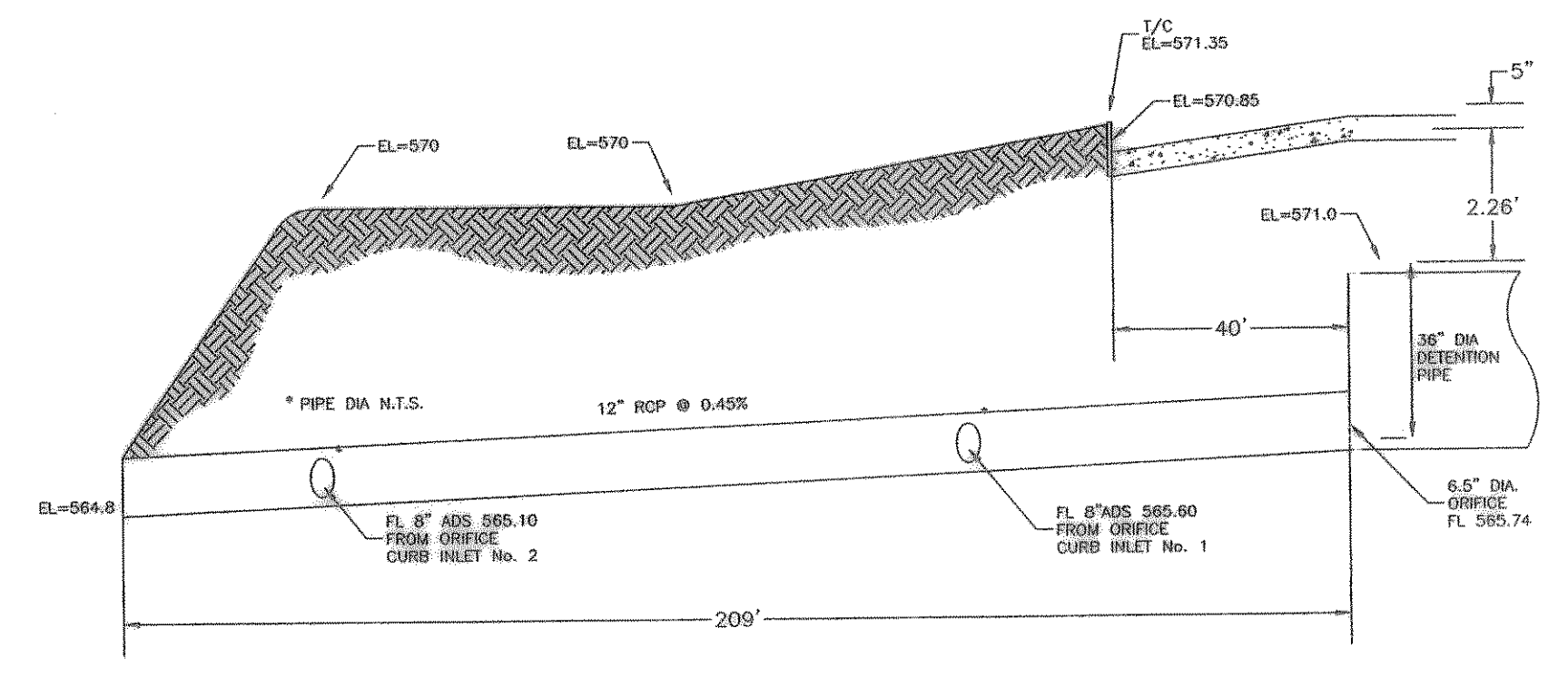
CROSS SECTION  
5' ORIFICE CURB INLET NO. 2  
Scale: 1"=2'



CROSS SECTION OF DETENTION PIPES FOR PIPE AREA 1  
Scale:  
1" = 10' Horizontal  
1" = 5' Vertical



CROSS SECTION OF DETENTION PIPES FOR PIPE AREA 2  
Scale:  
1" = 10' Horizontal  
1" = 5' Vertical



HORIZONTAL SCALE: 1" = 40'  
VERTICAL SCALE: 1" = 3'  
PIPING CONNECTED TO DETENTION PIPE IN AREA 1

American Title/  
Chakmakjian Office Complex  
Ridge Road, Rockwall, Texas

**Mazidji Group**  
Civil Engineering &  
Environmental Consulting  
11105 Fernald Avenue,  
Dallas, Texas 75218  
(214)349-7334

AS-BUILT DETAILS  
DATE: February 09, 2003  
DATE: October 11, 2001  
DWG: Chakmakjian / AmTitle  
PROJECT NO. MG205  
ISSUE LOG:  
1.  
2.  
3.

Sheet No.  
**C6**  
Sheet 6 of 9

