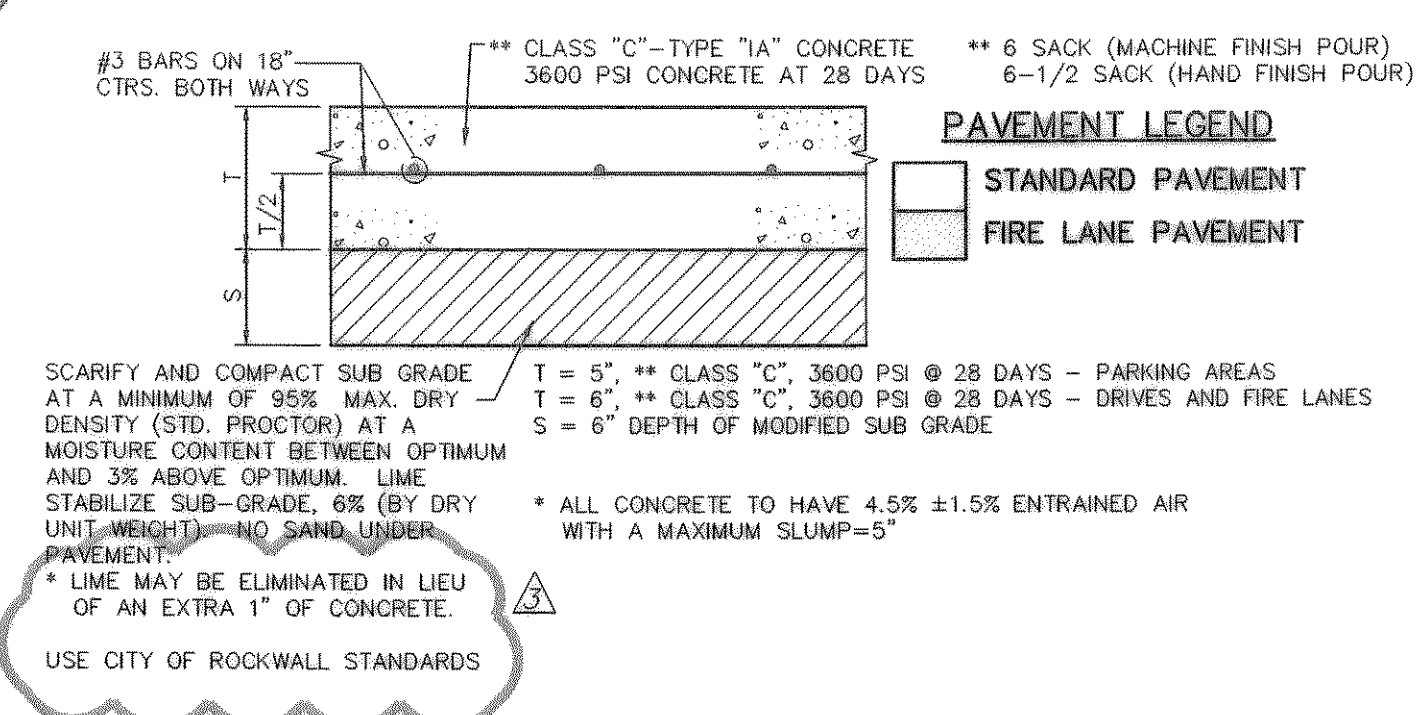
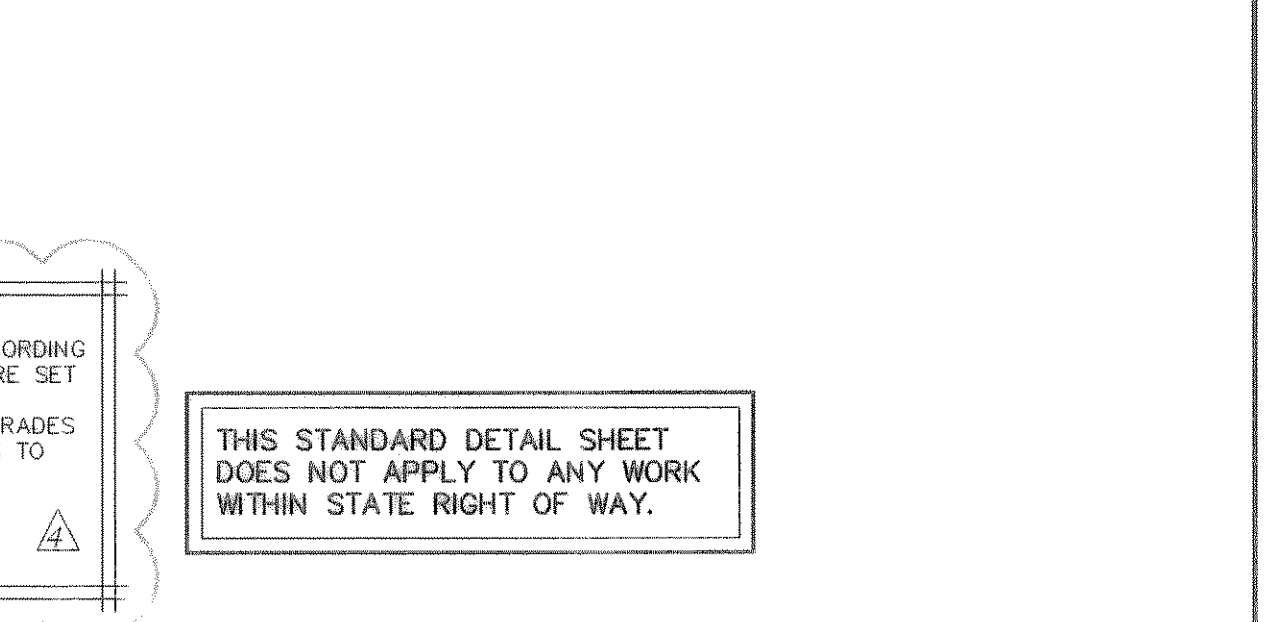
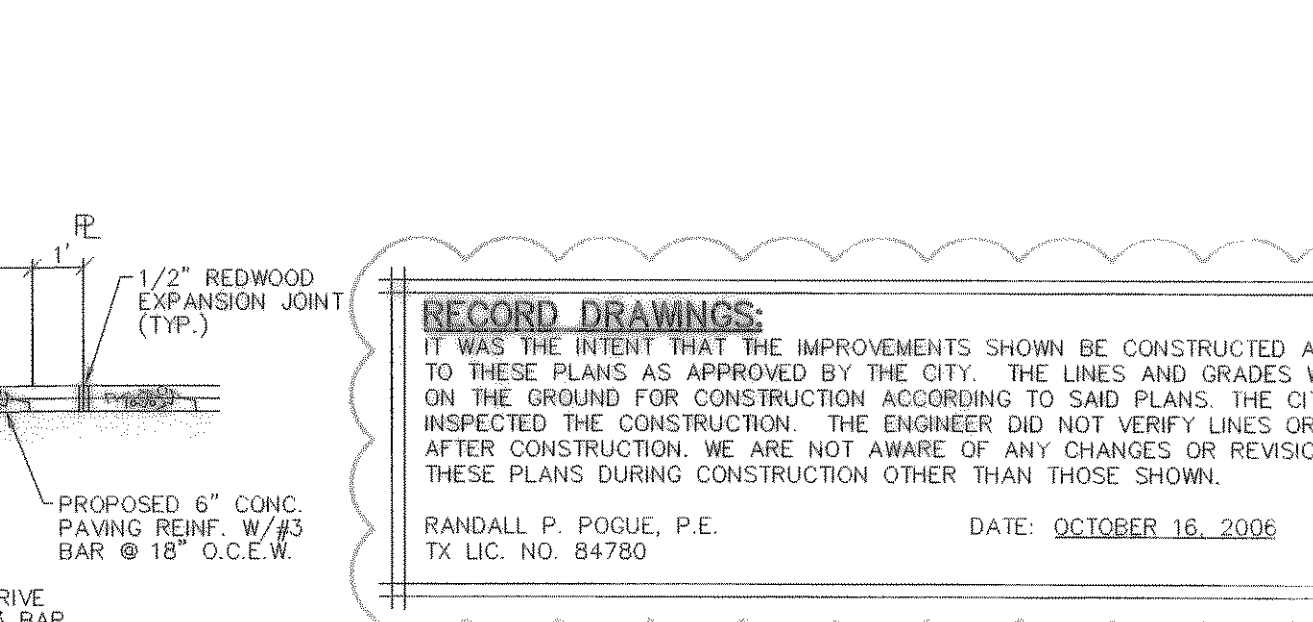
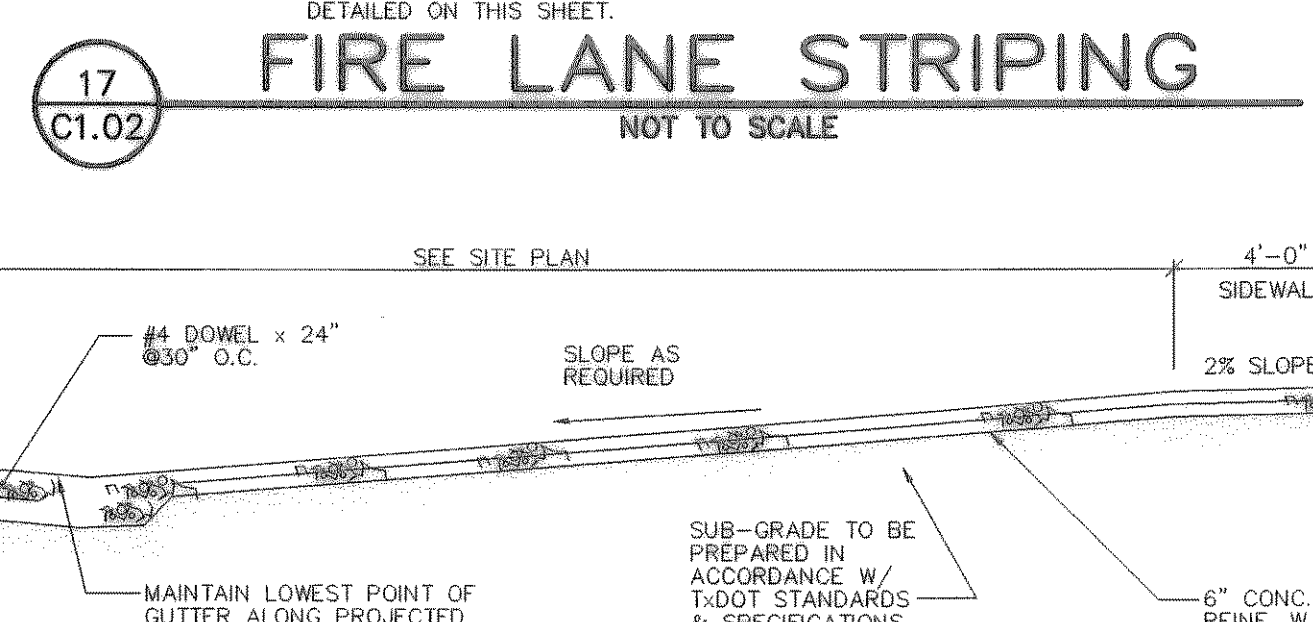
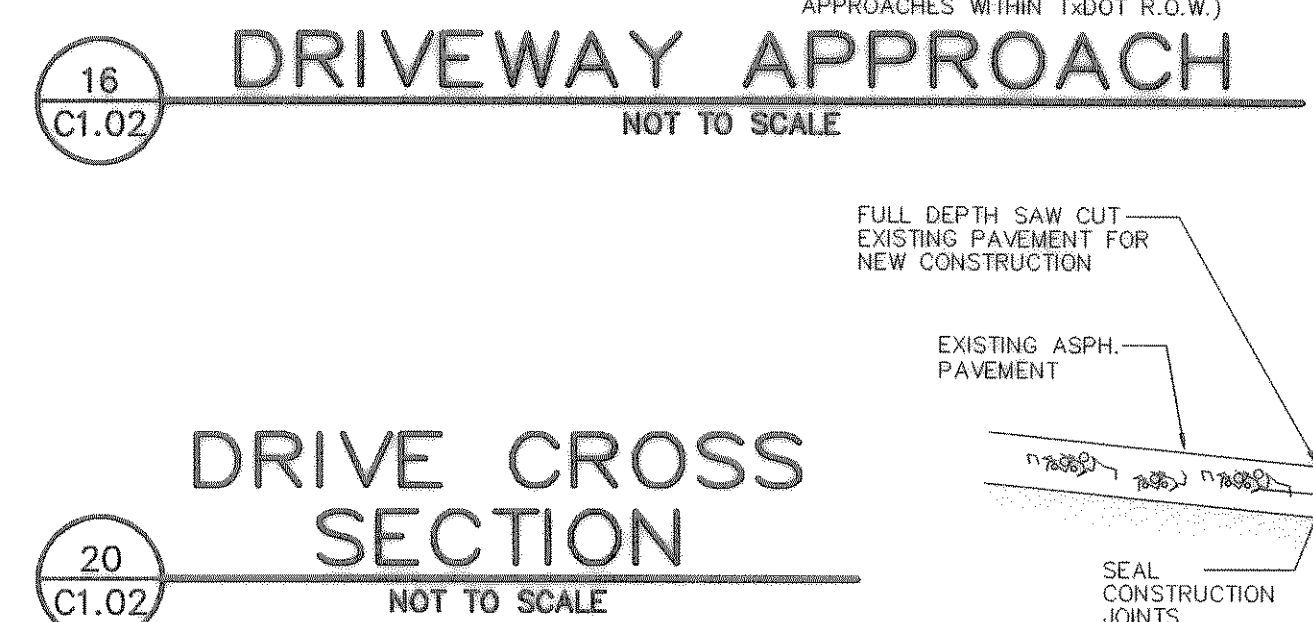
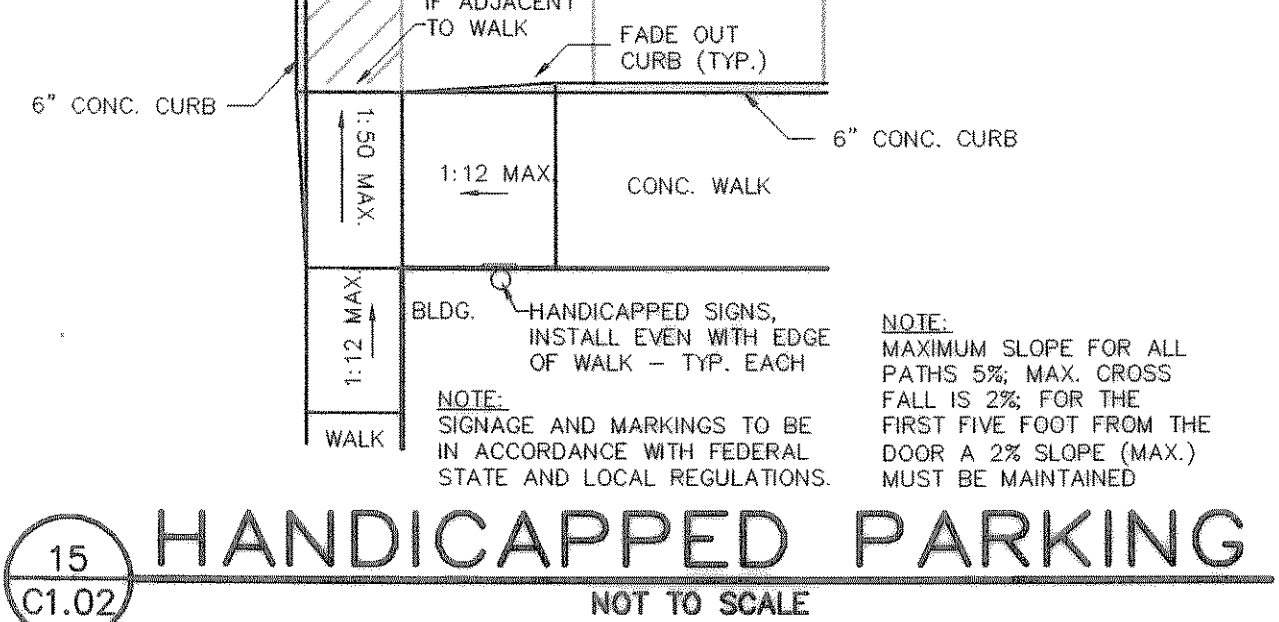
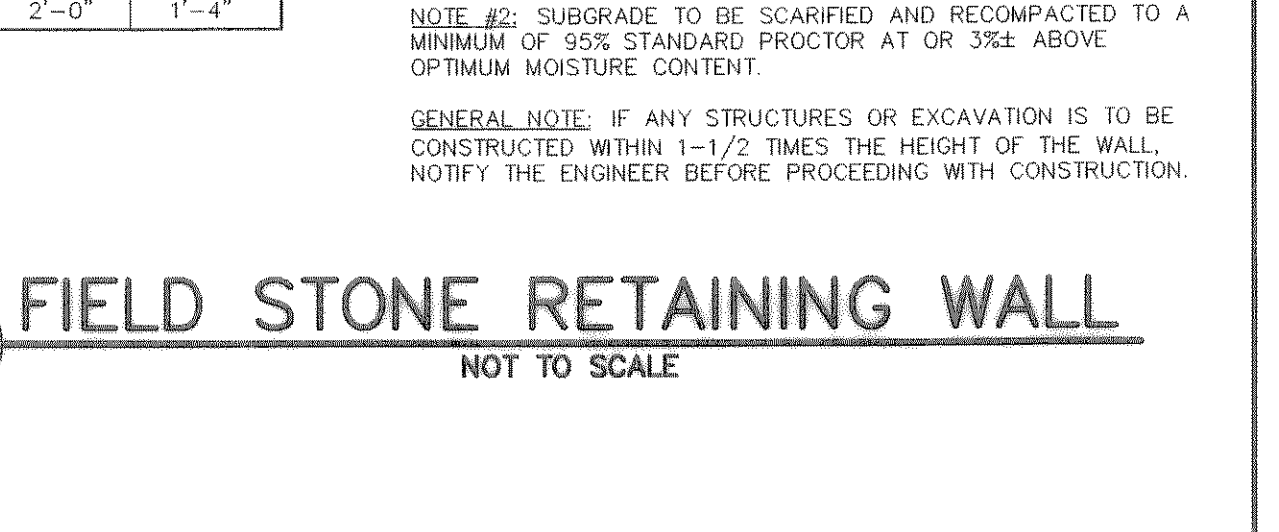
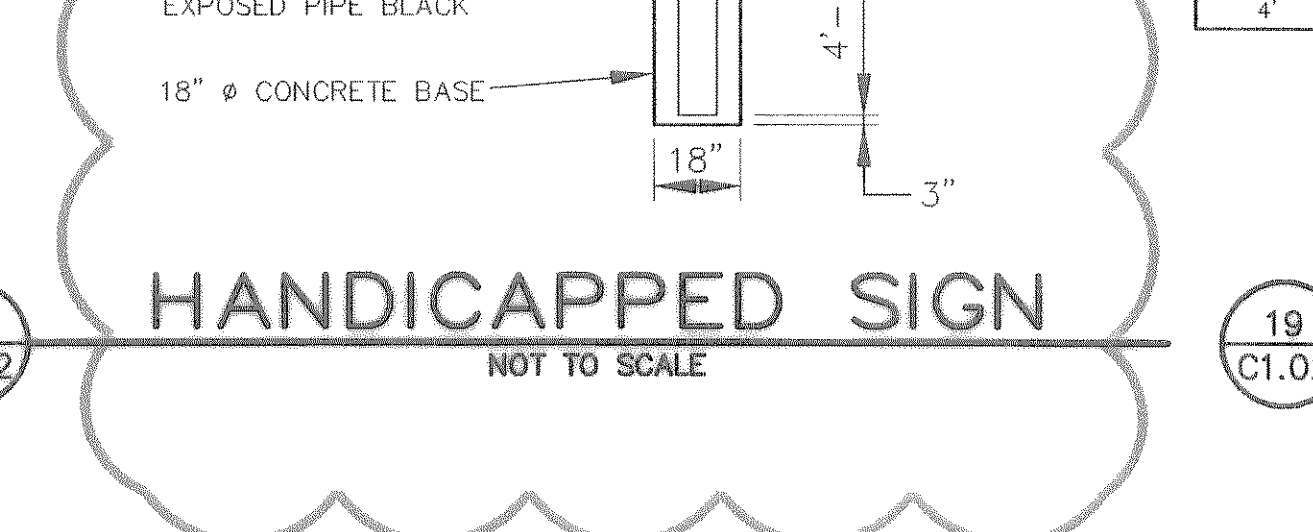
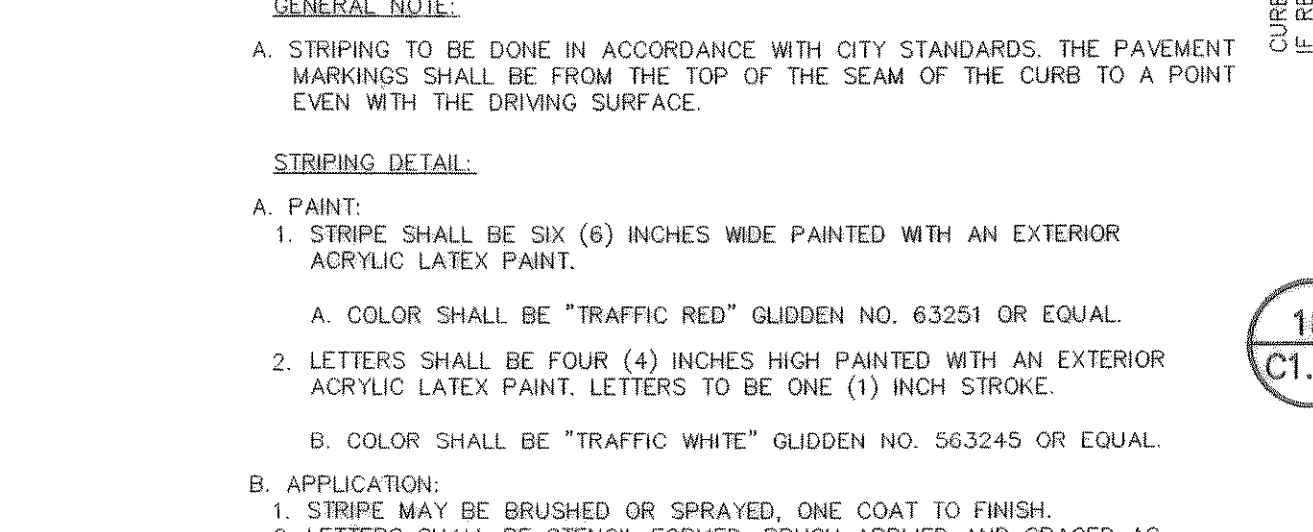
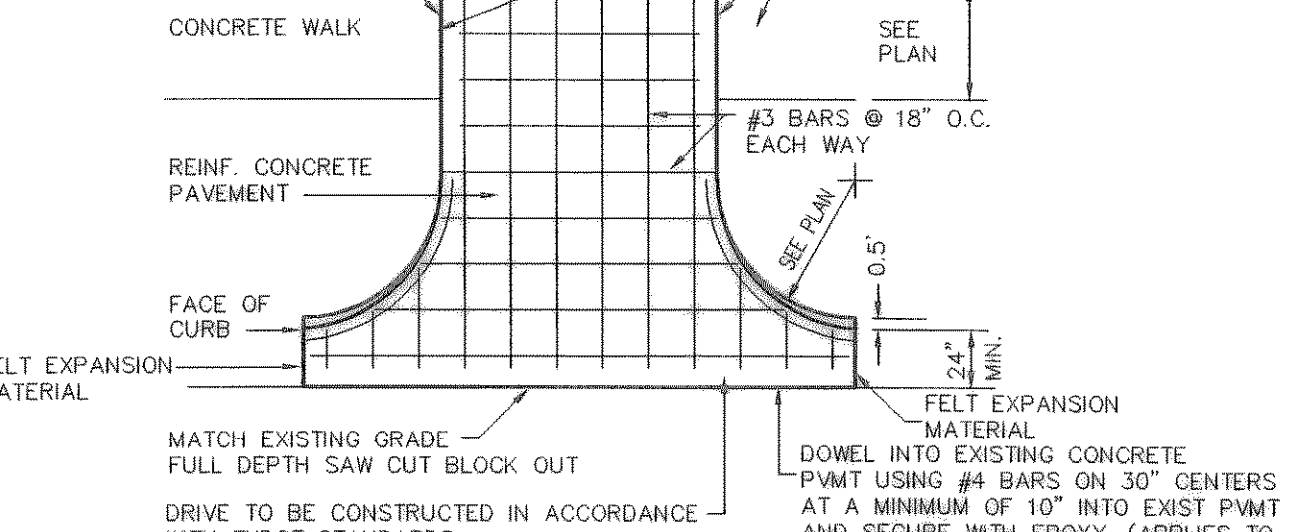
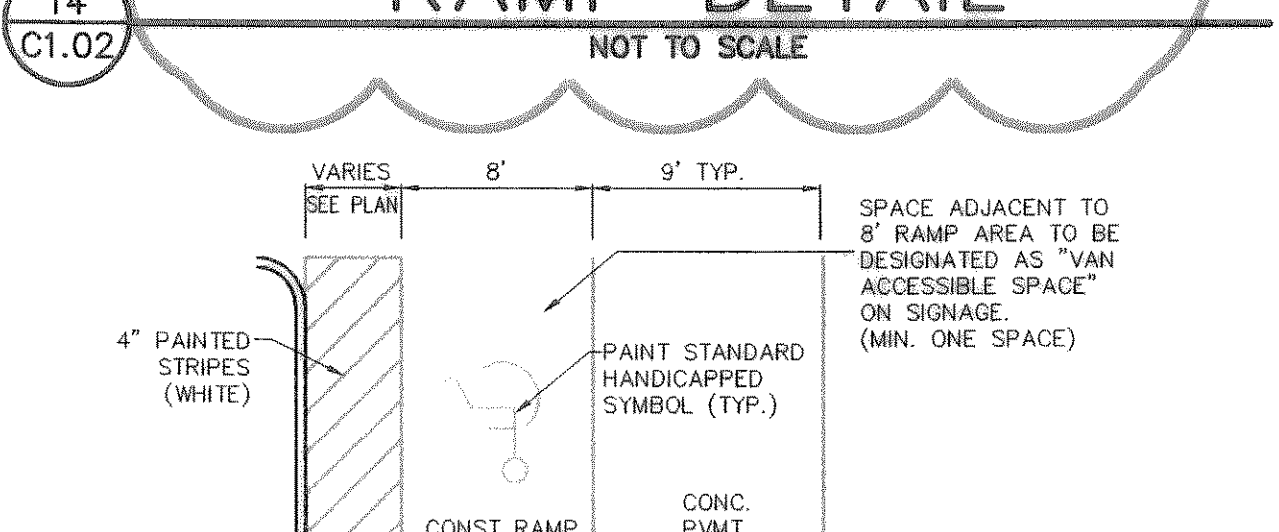
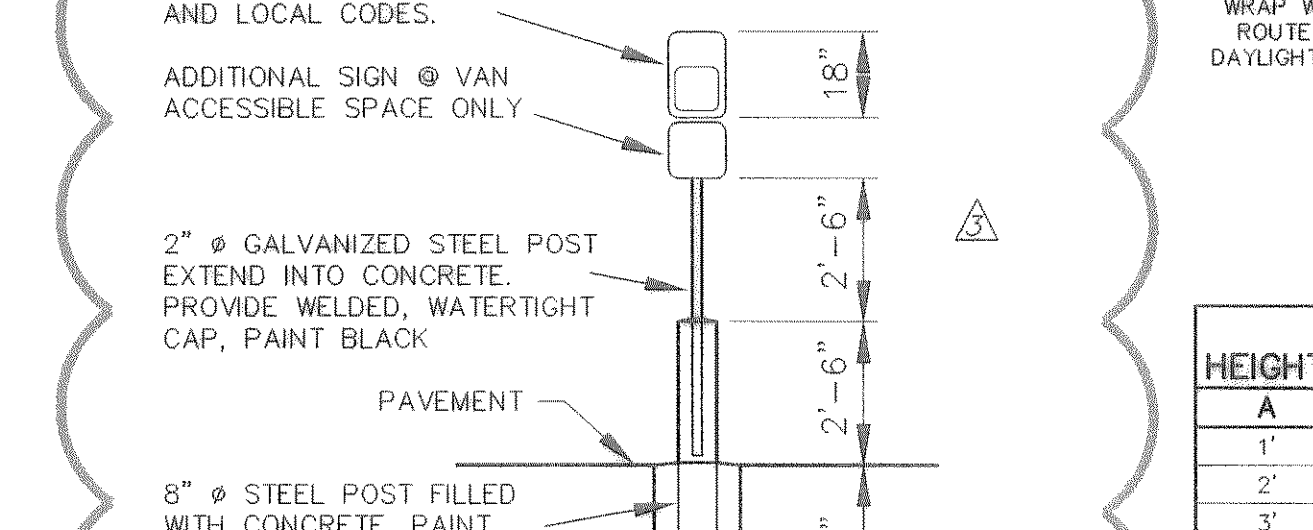
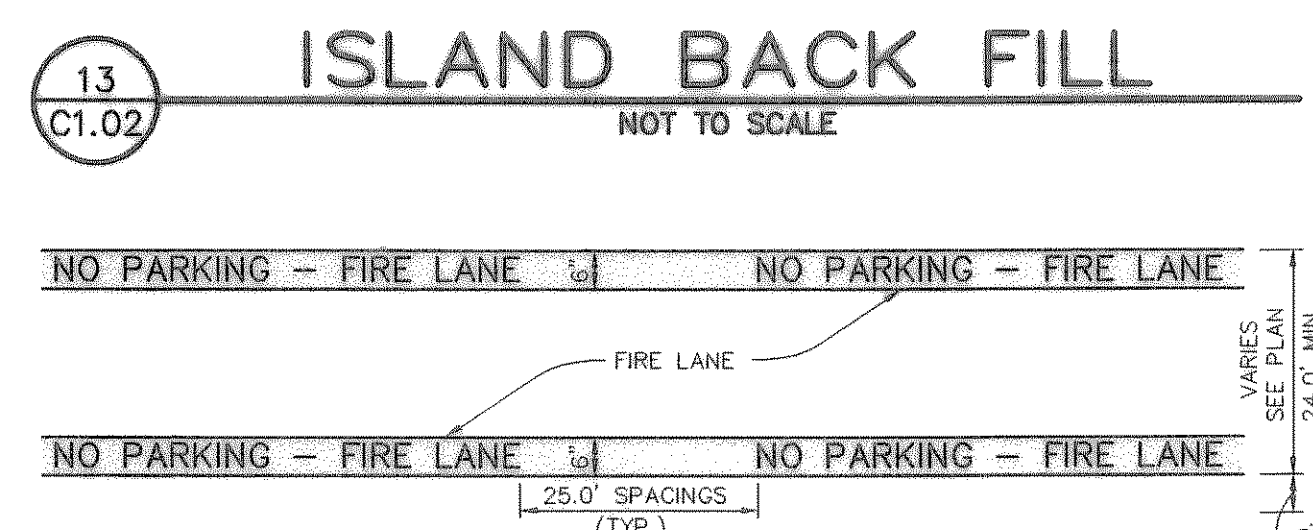
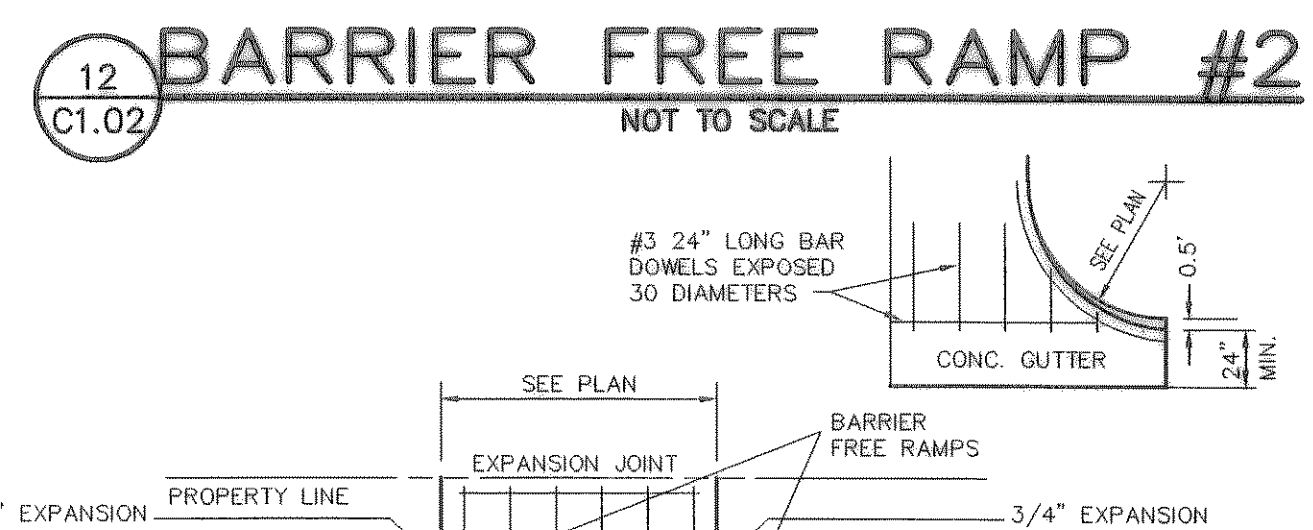
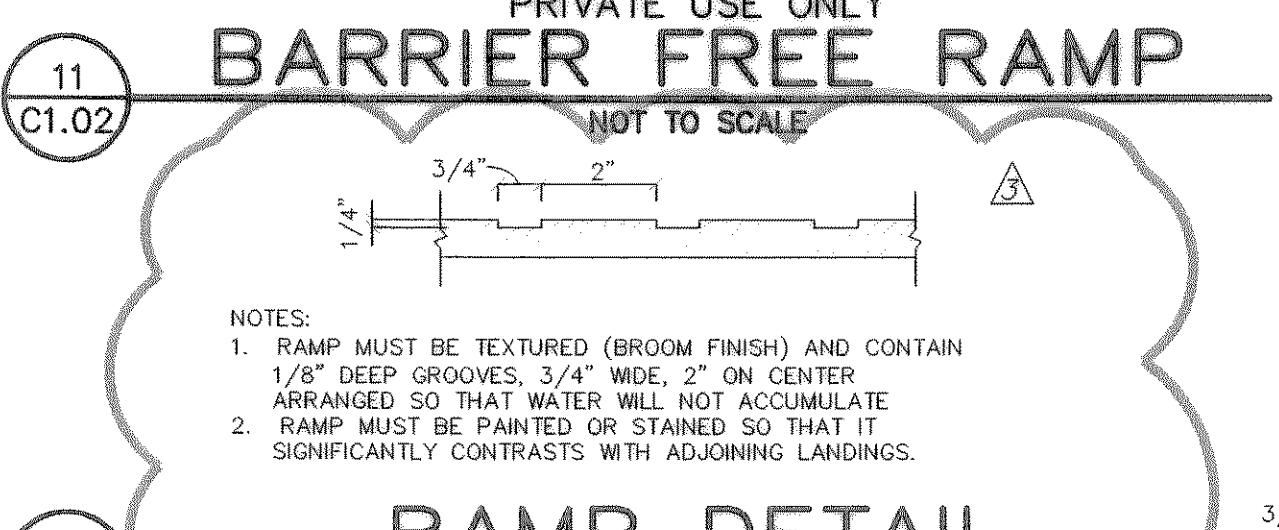
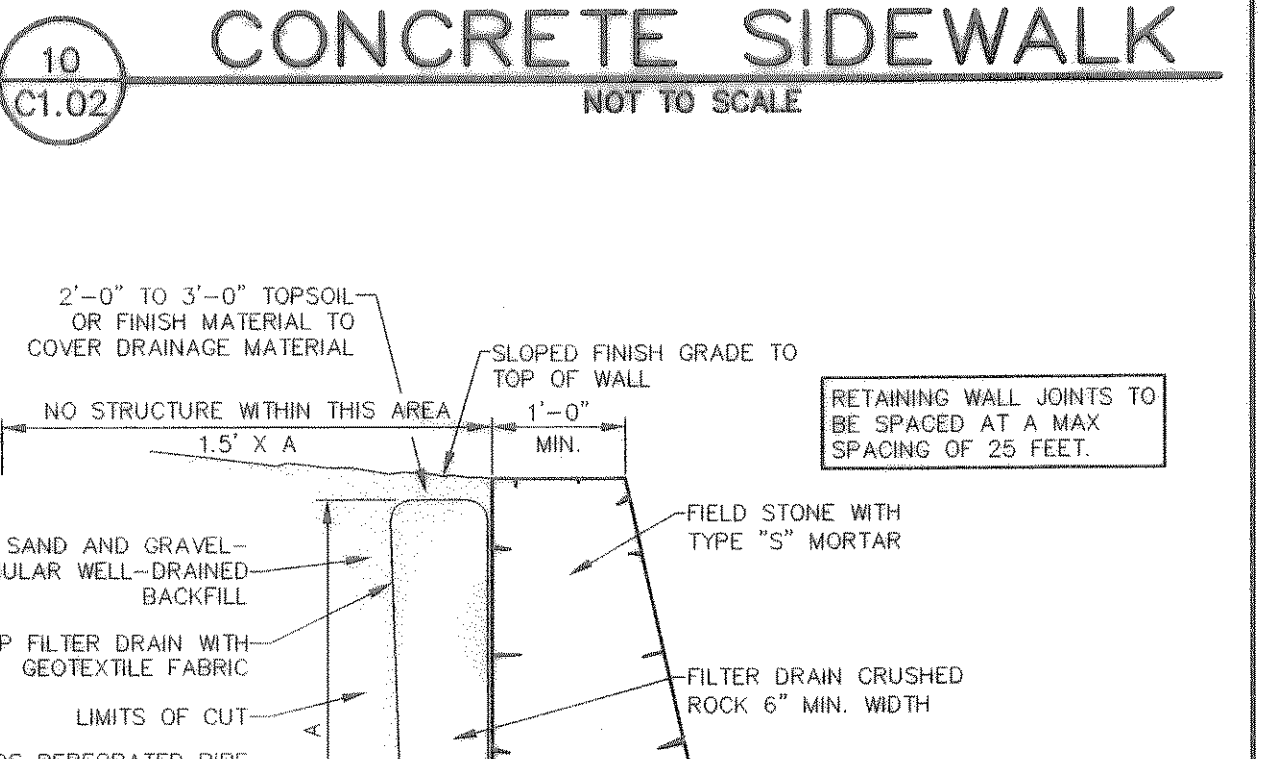
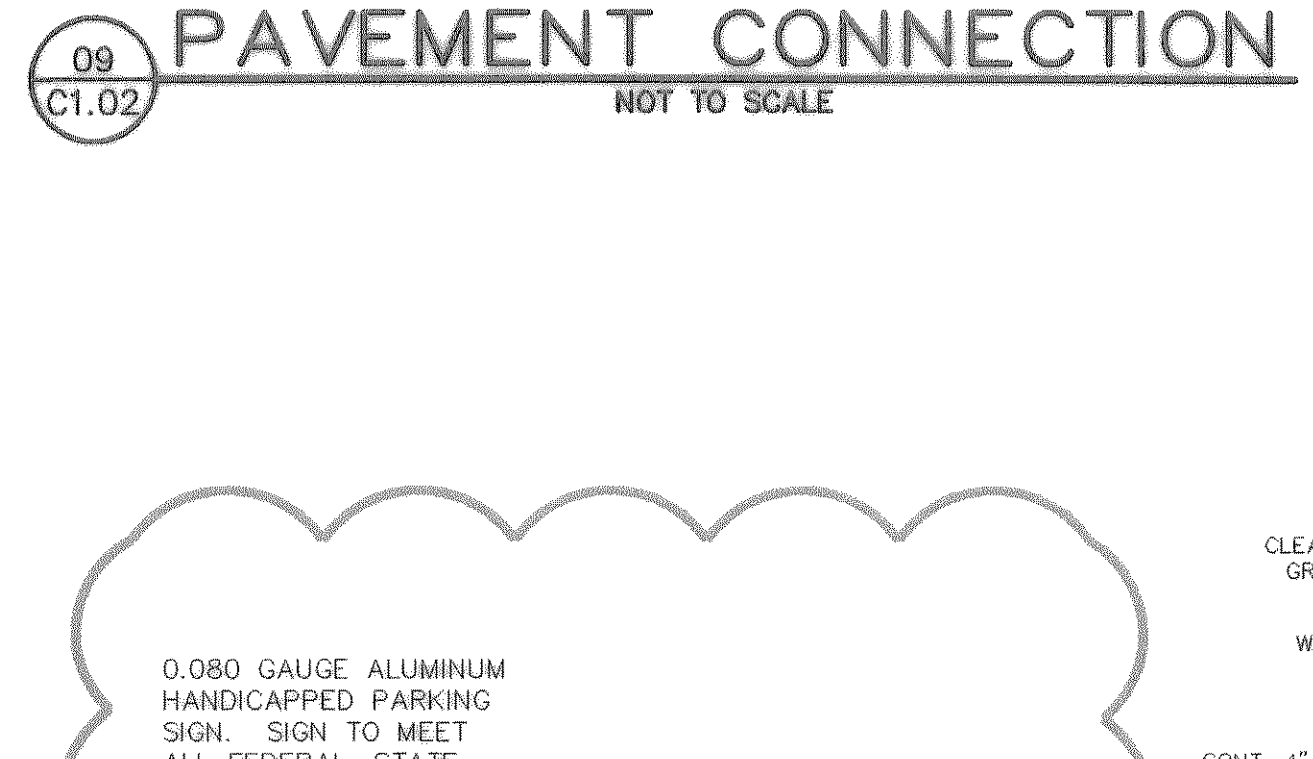
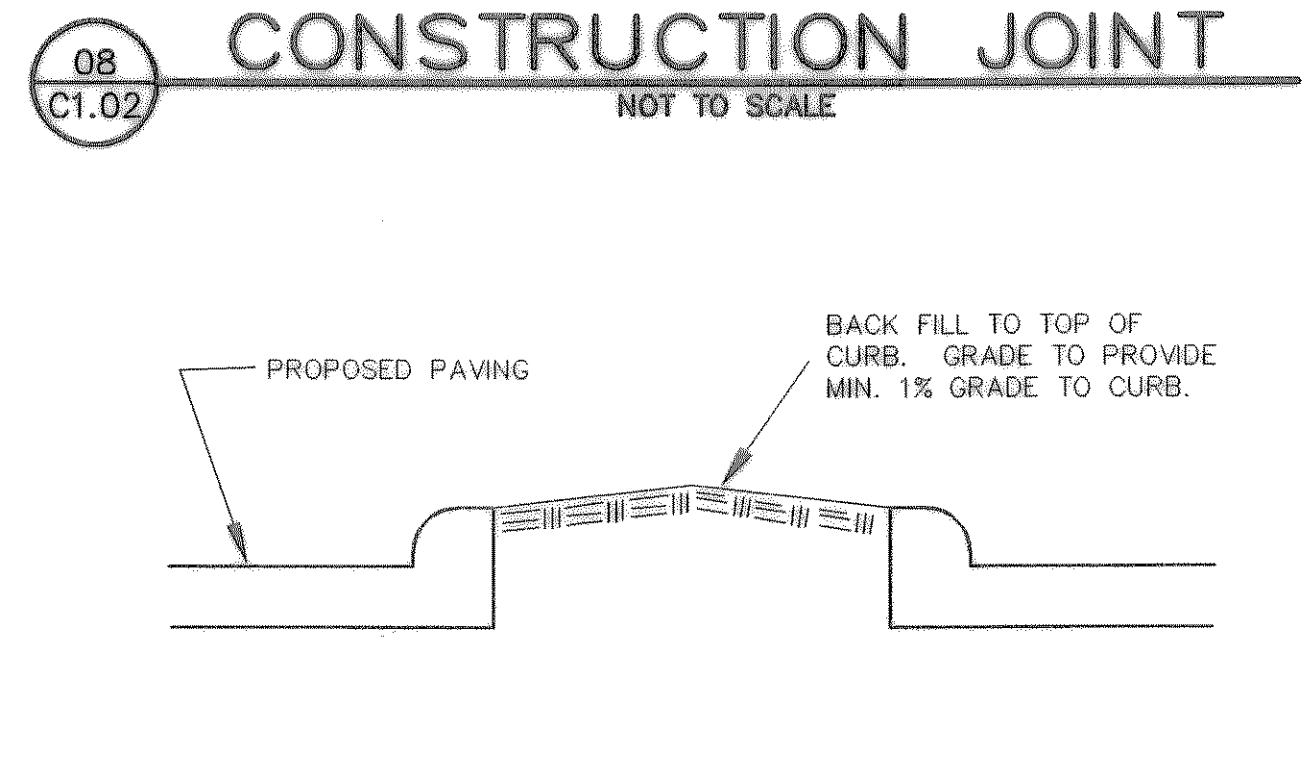
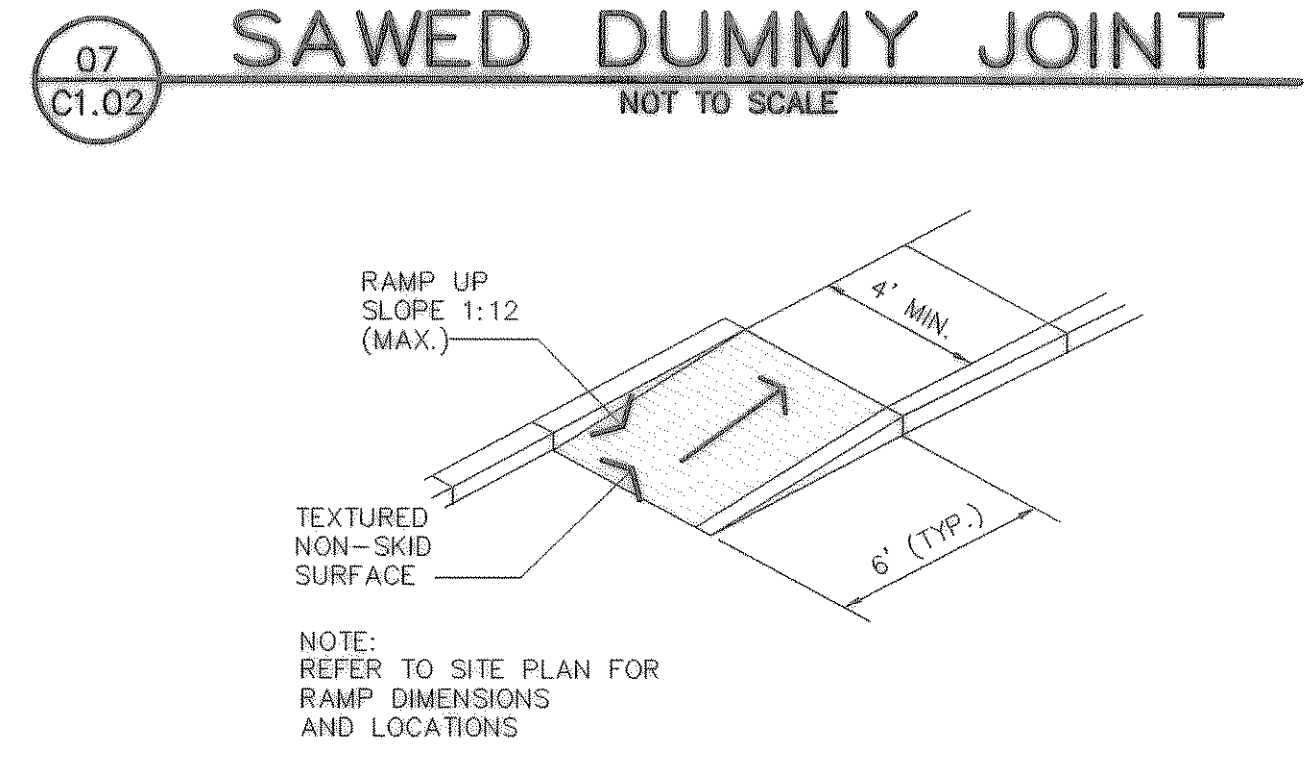
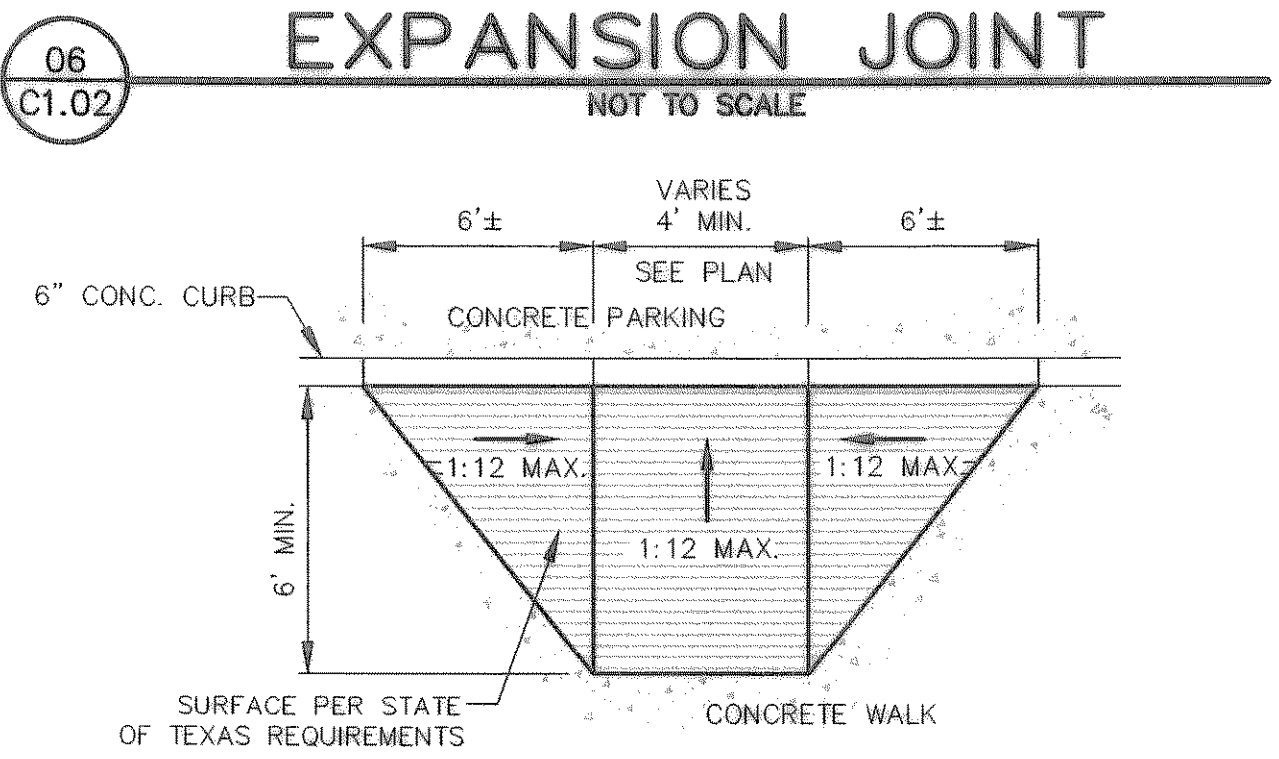
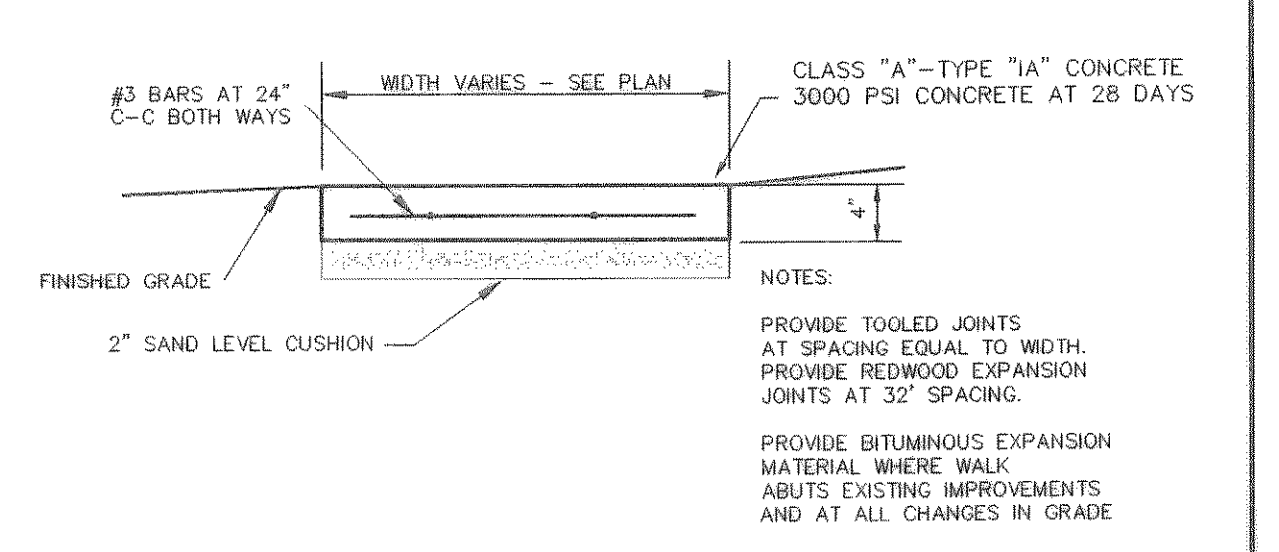
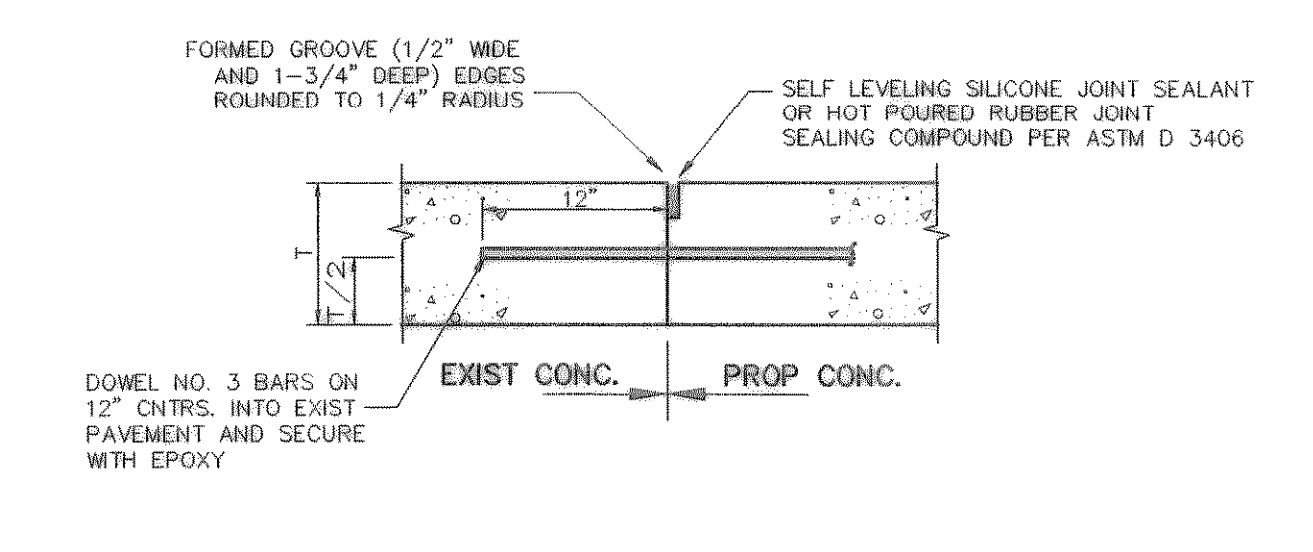
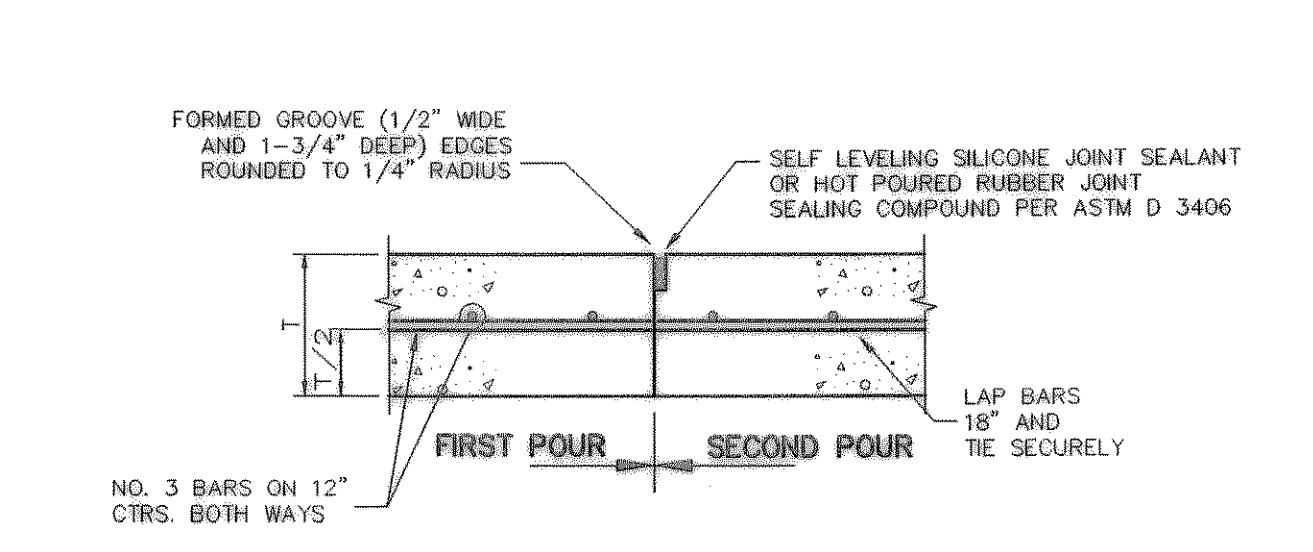
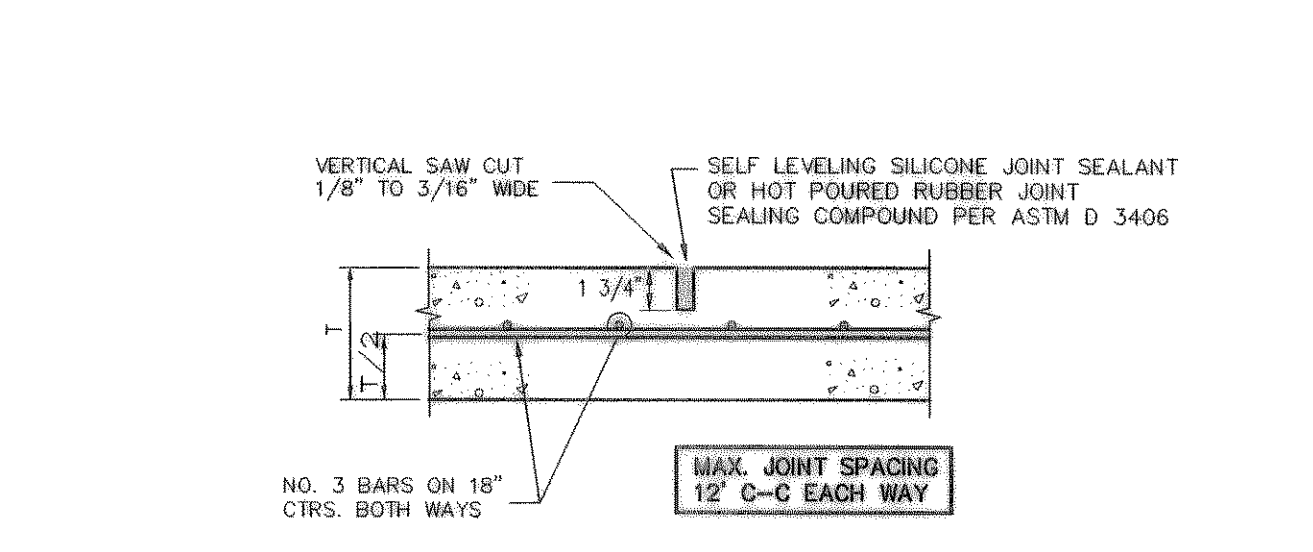
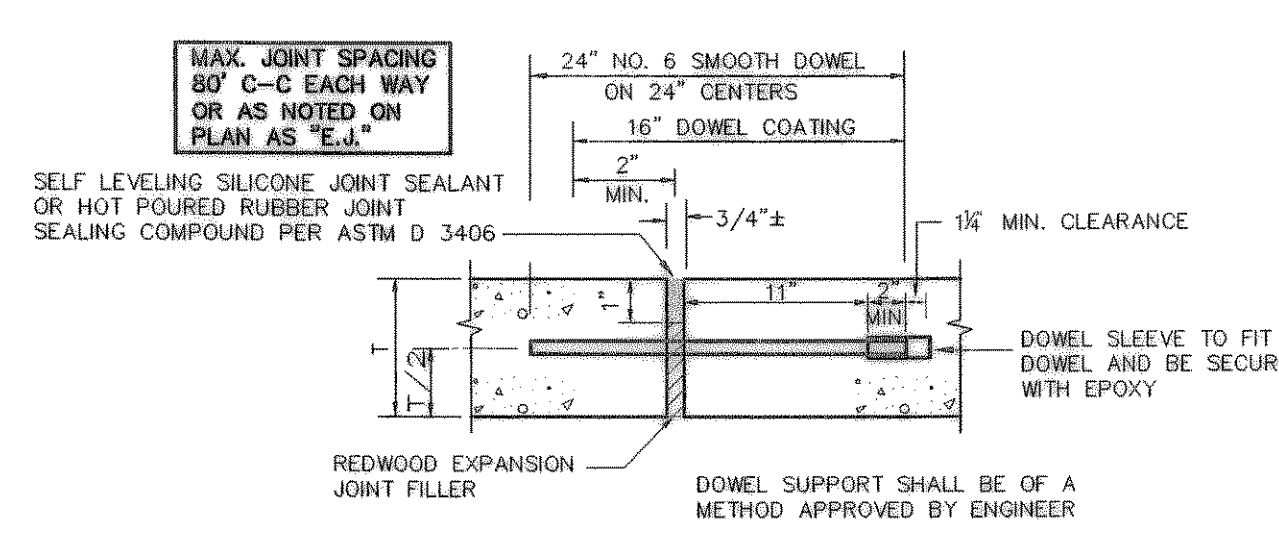
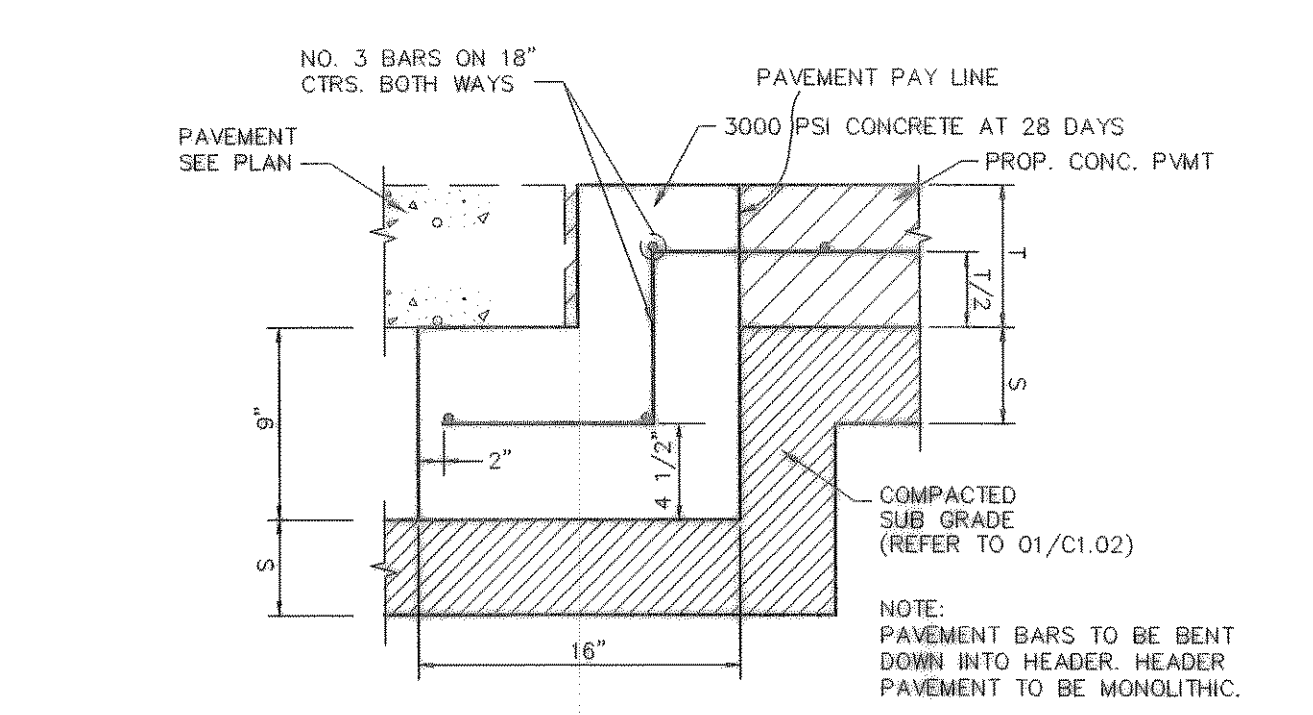
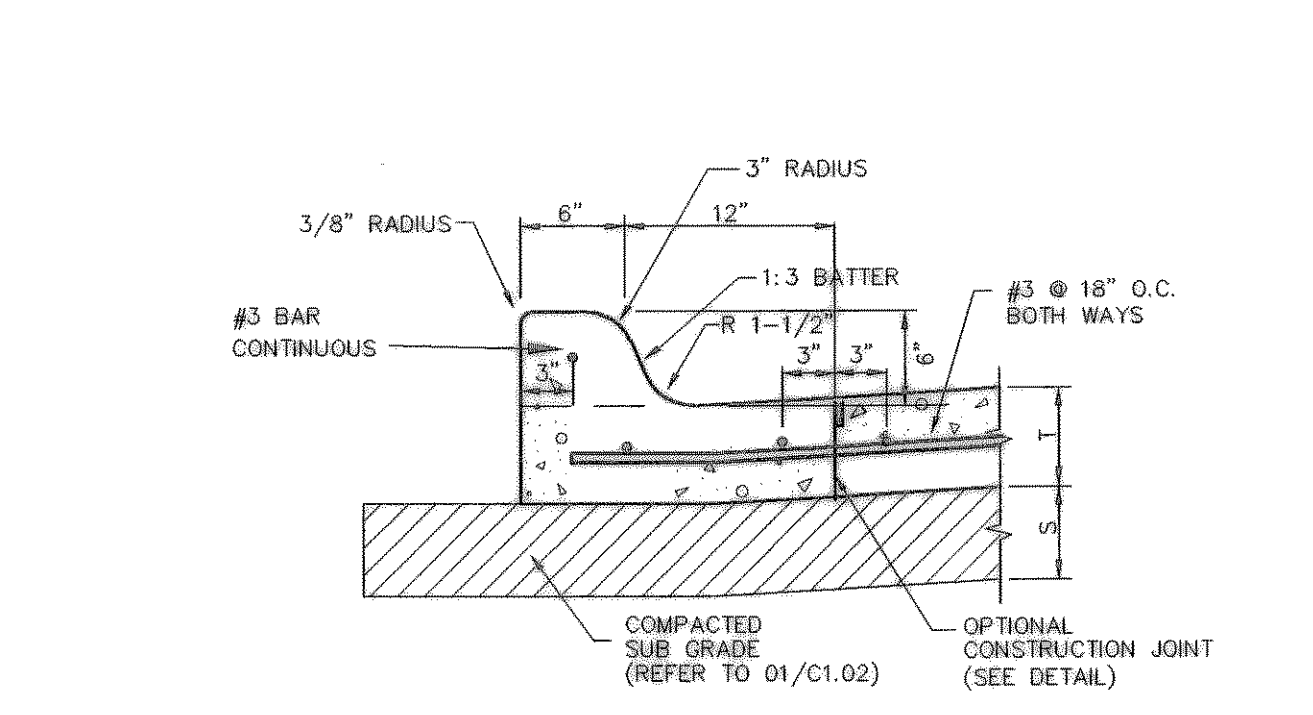


WILLIAMS 10/17/2006 - 10:14:41
 S:\065\1200-1299-06-015\DWG\1299-07A.DWG
 © POGUE ENGINEERING & DEVELOPMENT COMPANY, INC. 2006. ALL RIGHTS RESERVED. THE ENGINEERING DESIGN, DETAIL AND ENGINEERING DRAWINGS FOR THIS PROJECT AND/OR OVERALL PROJECT ARE THE LEGAL PROPERTY OF POGUE ENGINEERING & DEVELOPMENT COMPANY, INC. THEIR USE FOR REPRODUCTION, CONSTRUCTION, OR DISTRIBUTION IS PROHIBITED UNLESS AUTHORIZED IN WRITING BY POGUE ENGINEERING & DEVELOPMENT COMPANY, INC.



01 PAVEMENT SECTION
 C1.02 NOT TO SCALE



RECORD DRAWINGS:
 IT WAS THE INTENT THAT THE IMPROVEMENTS SHOWN BE CONSTRUCTED ACCORDING TO THESE PLANS AS APPROVED BY THE CITY. THE LINES AND GRADES WERE SET ON THE GROUND FOR CONSTRUCTION ACCORDING TO SAID PLANS. THE CITY INSPECTED THE CONSTRUCTION. THE ENGINEER DID NOT VERIFY LINES OR GRADES AFTER CONSTRUCTION. WE ARE NOT AWARE OF ANY CHANGES OR REVISIONS TO THESE PLANS DURING CONSTRUCTION OTHER THAN THOSE SHOWN.

RANDALL P. POGUE, P.E.
 TX LIC. NO. 84780
 DATE: OCTOBER 16, 2006

THIS STANDARD DETAIL SHEET DOES NOT APPLY TO ANY WORK WITHIN STATE RIGHT OF WAY.

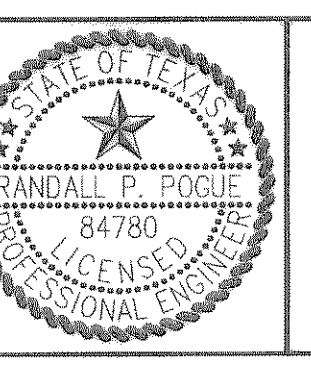
NO.	DATE	REVISION / DESCRIPTION	SCALE	NOTES
10-16-06		RECORD DRAWINGS		
05-26-06		REVISED TO COMPLY WITH ADA COMMENTS		
05-19-06		MODIFIED TO 8"X8" CUT IN TEE		
04-17-06		ADDED FIRE HYDRANT TO NORTH LANDSCAPE ISLAND		
RPP	BEC./WTW	04-17-06	AS SHOWN	-

OWNER
 AMERICAN NATIONAL BANK OF TEXAS
 P.O. BOX 40
 TERRELL, TEXAS 75160
 MR. MIKE CRONIN
 (214) 863-6532 PHONE
 (214) 863-5704 FAX

PROJECT INFORMATION
 AMERICAN NATIONAL BANK OF TEXAS
 1.07± ACRE TRACT
 BLOCK A, LOT 2, BURKS ADDITION
 CITY OF ROCKWALL, ROCKWALL COUNTY, TEXAS
 J.H.B. JONES SURVEY, ABSTRACT NO. 124
 PROPOSED: BANK

THE SEAL APPEARING ON THIS DOCUMENT WAS AUTHORIZED BY RANDALL P. POGUE, P.E. 84780 ON 04-17-06. ALTERATION OF A SEALED DOCUMENT WITHOUT PROPER NOTIFICATION TO THE RESPONSIBLE ENGINEER IS AN OFFENSE UNDER THE TEXAS ENGINEERING PRACTICE ACT.

R.P.P. 4-17-06



POGUE
 ENGINEERING & DEVELOPMENT COMPANY, INC.
 1515 HERITAGE DRIVE
 SUITE 105
 KINNEY, TEXAS 75069
 (214) 544-8880 PHONE
 (214) 544-8882 FAX
 rpogue@pogueengineering.com

STANDARD DETAILS SHEET
 AMERICAN NATIONAL BANK OF TEXAS
 BLOCK A, LOT 2, BURKS ADDITION
 J.H.B. JONES SURVEY, ABSTRACT NO. 124
 CITY OF ROCKWALL, TEXAS

SHEET NO. C1.02