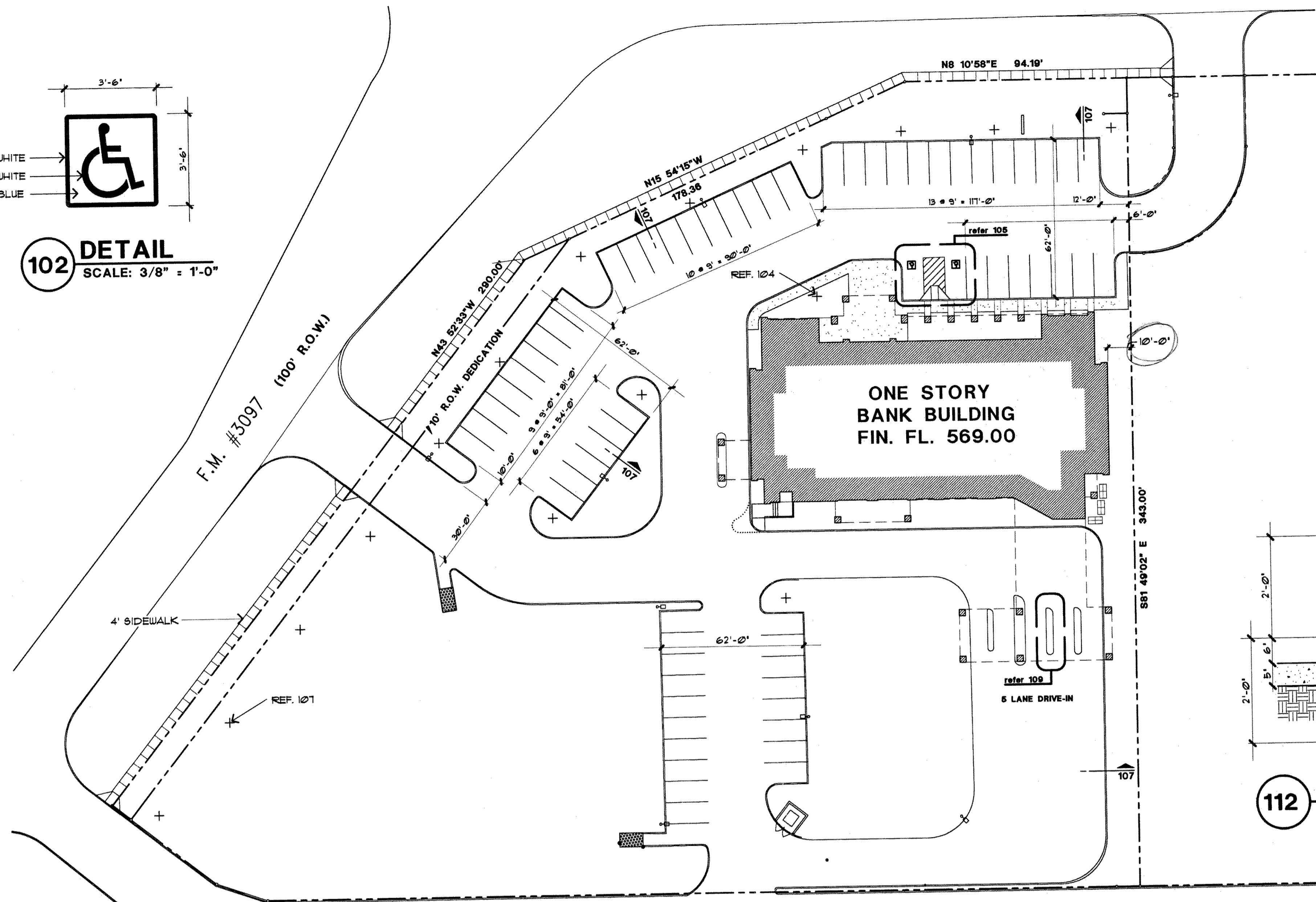
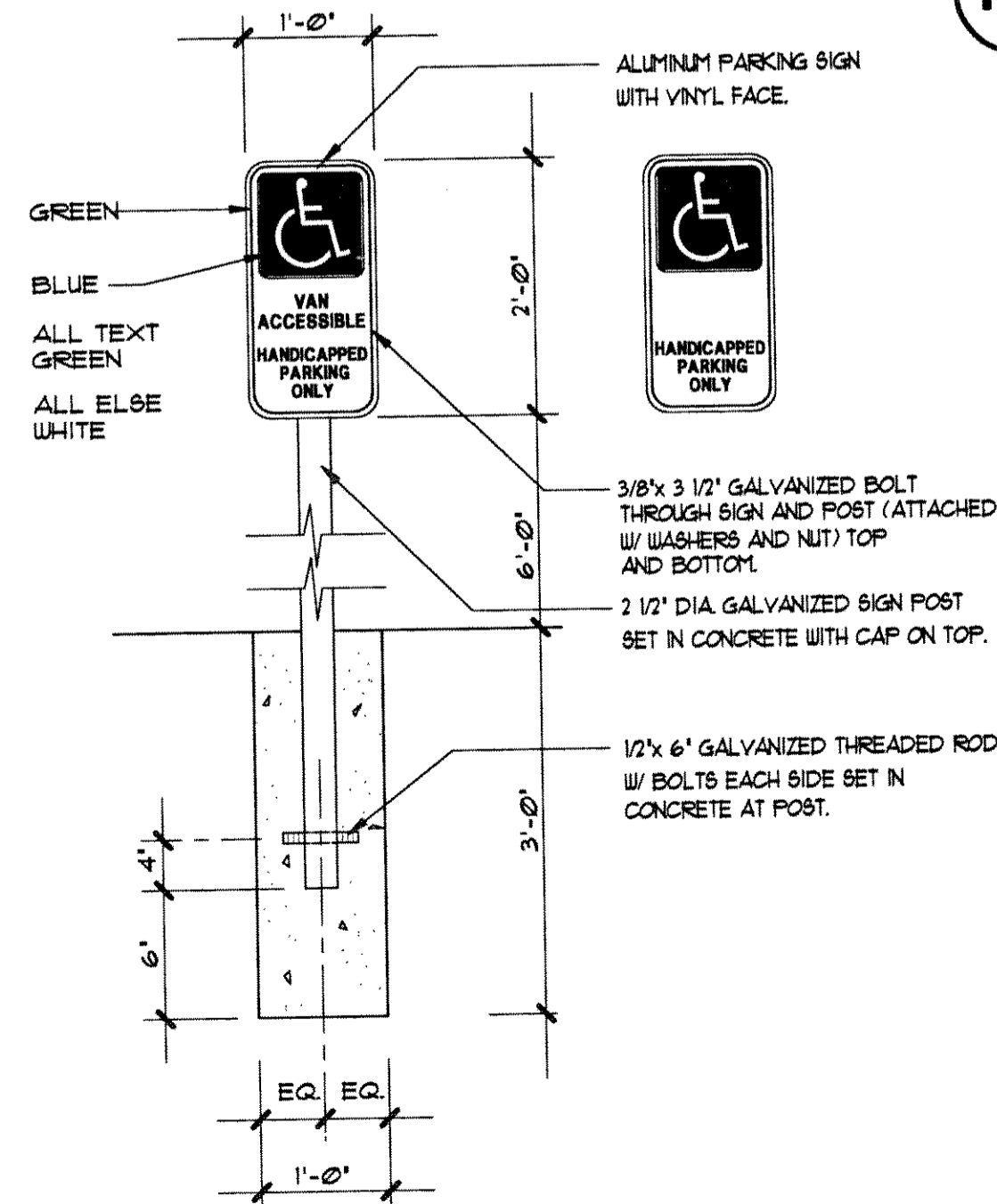


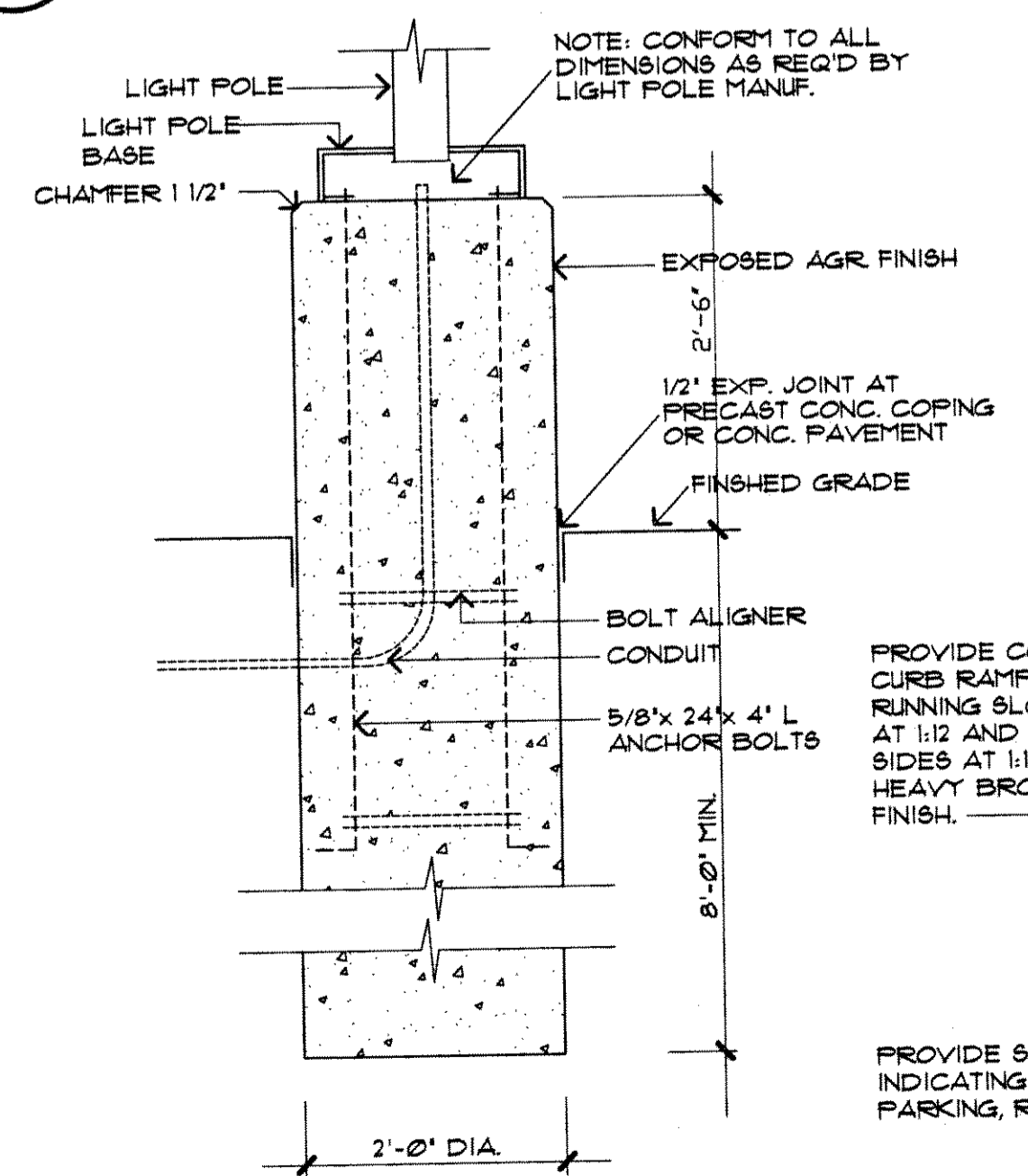
102 DETAIL
SCALE: 3/8" = 1'-0"



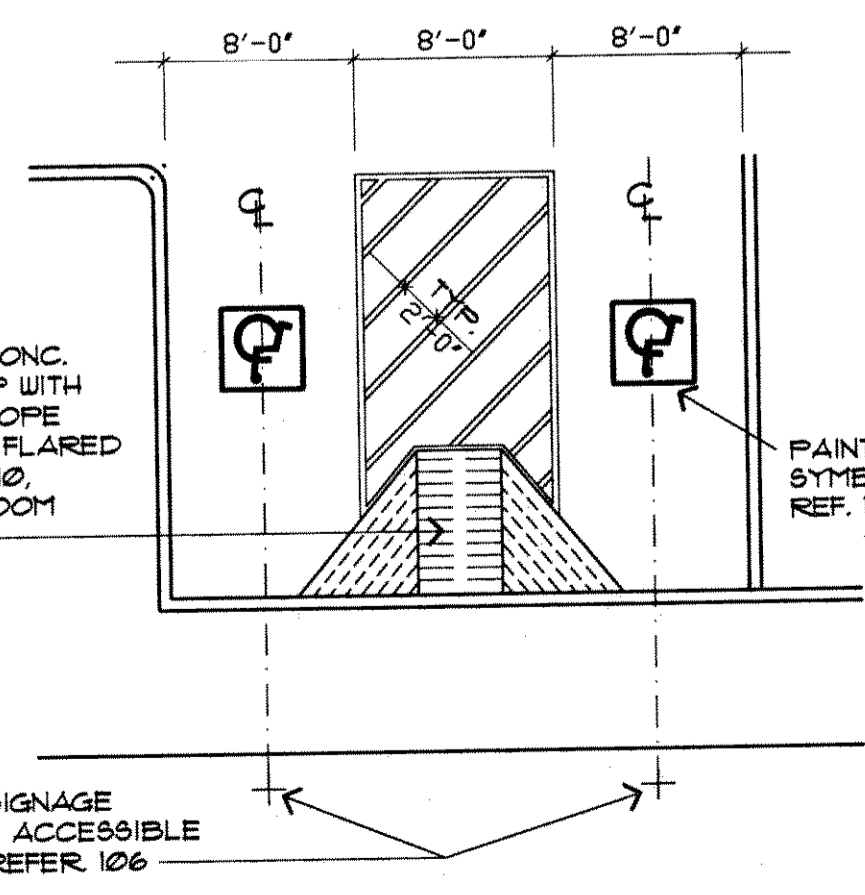
101 SITE PLAN
SCALE: 1" = 30'-0"



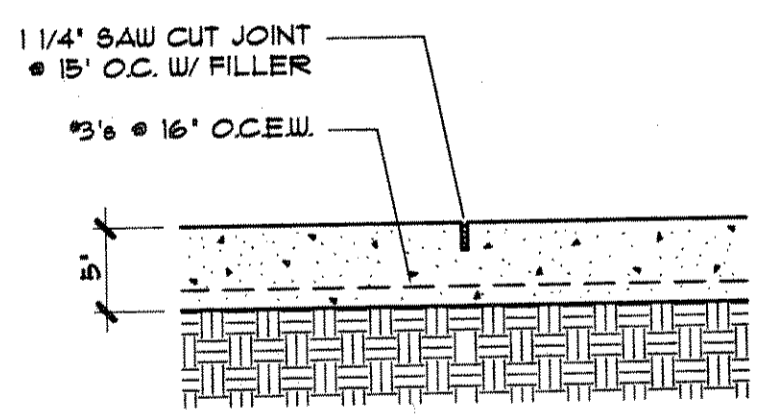
103 SIGN DETAIL
SCALE: 3/4" = 1'-0"



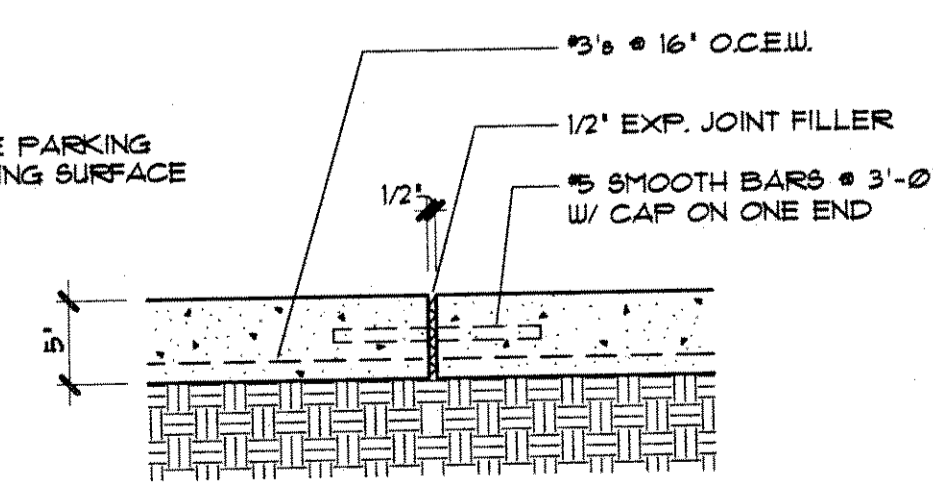
104 LIGHT POLE BASE
SCALE: 3/4" = 1'-0"



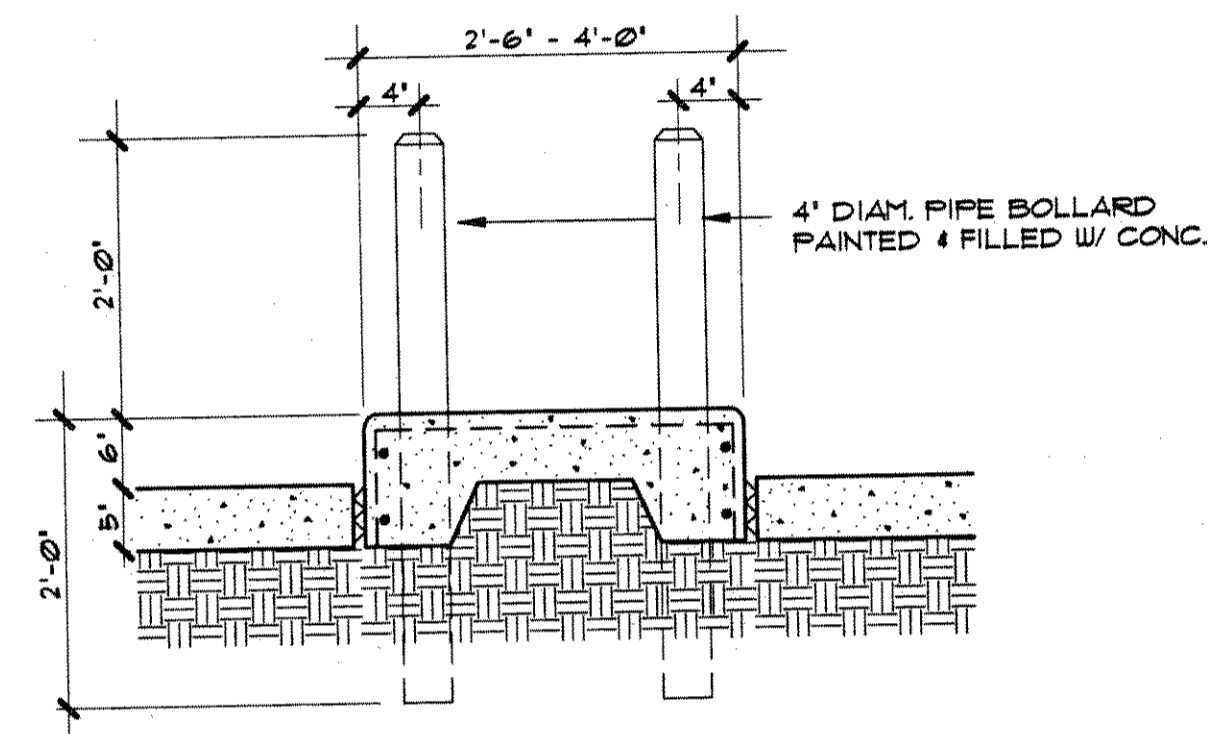
105 PARKING PLAN
SCALE: 1/8" = 1'-0"



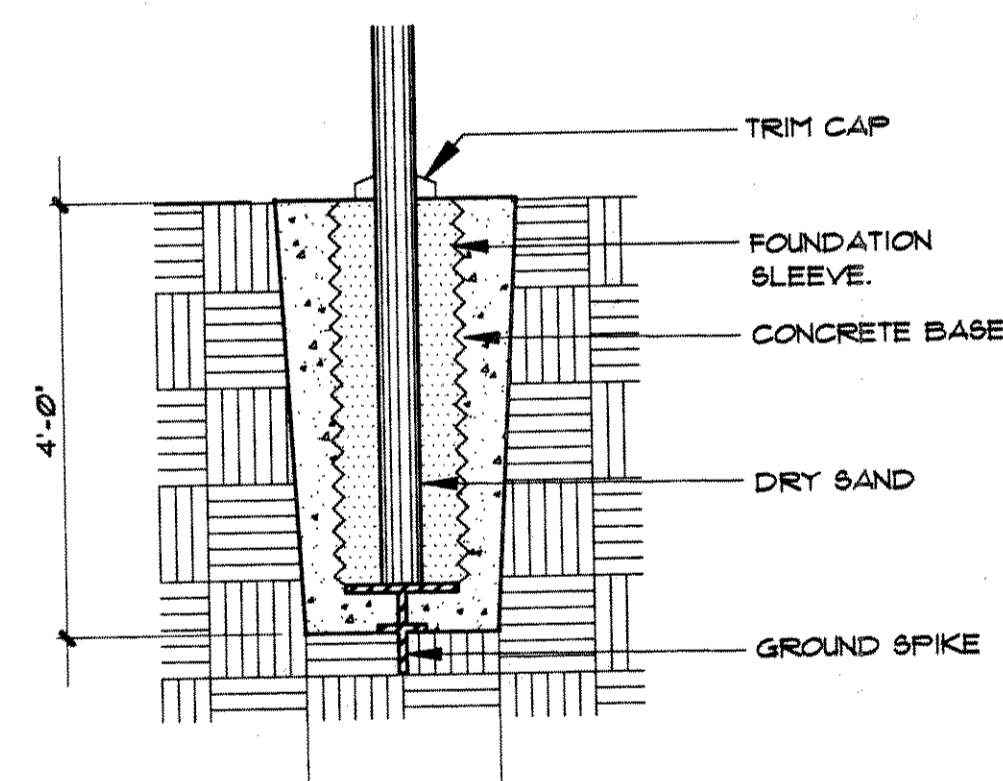
111 PAVING DETAIL
SCALE: 1" = 1'-0"



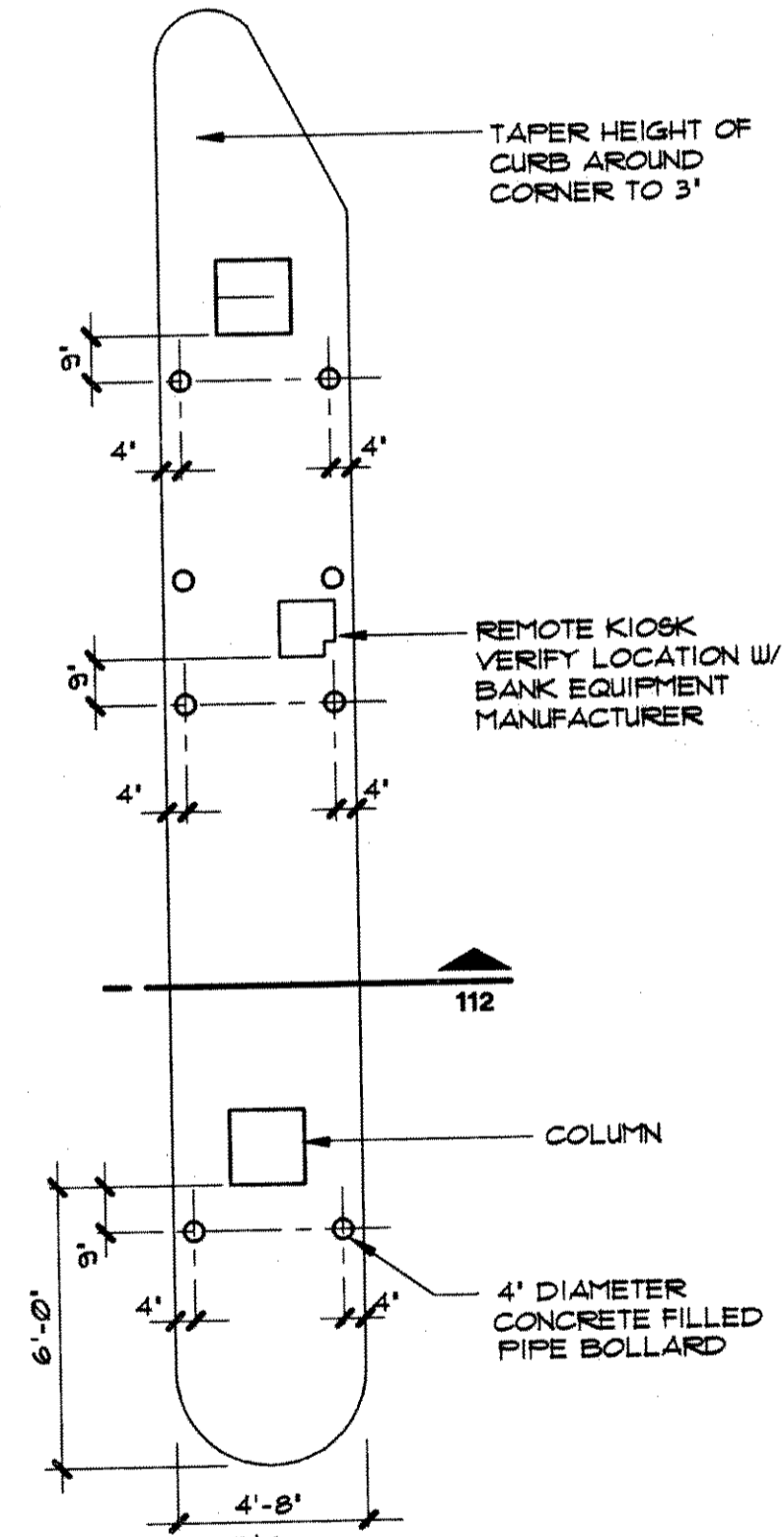
106 CONST. JT. DETAIL
SCALE: 1" = 1'-0"



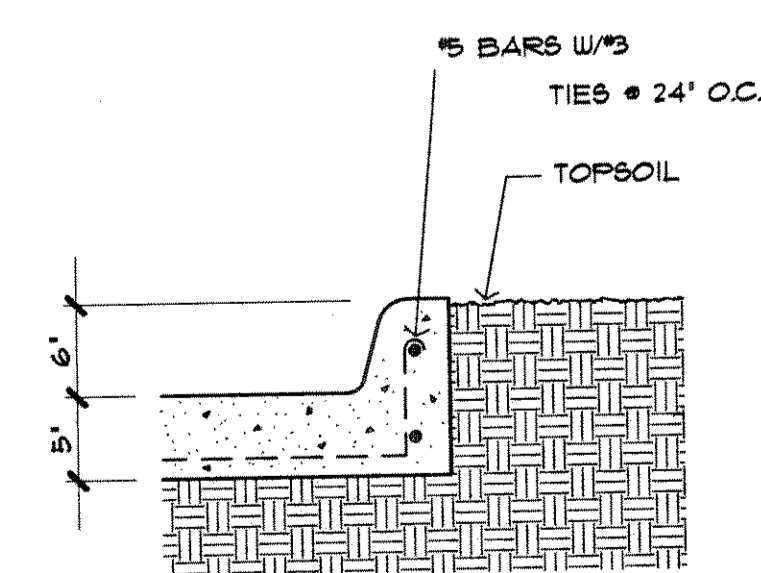
112 ISLAND DETAIL
SCALE: 3/4" = 1'-0"



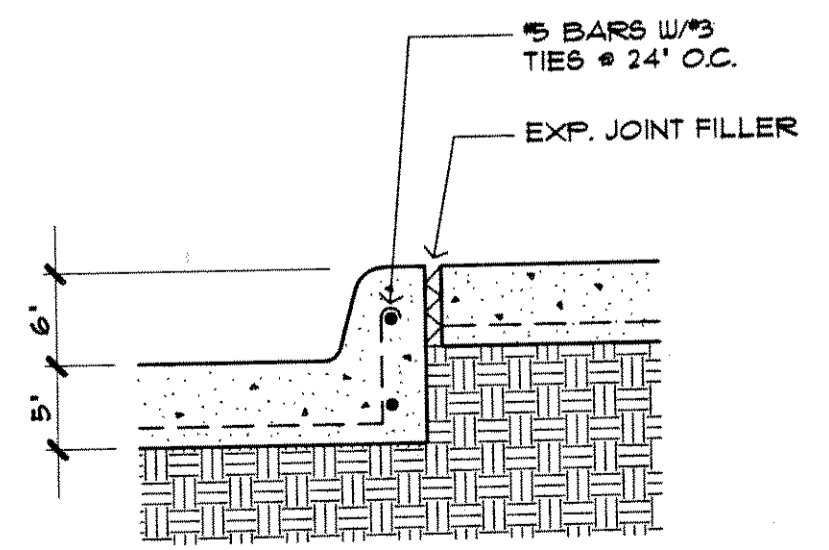
110 FLAG POLE DTL.
SCALE: 1/2" = 1'-0"



109 TYP. ISLAND
SCALE: 1/4" = 1'-0"



107 CONC. CURB
SCALE: 1" = 1'-0"



108 CONC. CURB
SCALE: 1" = 1'-0"

moran & murphy architects, inc.
ARCHITECTURE / INTERIORS / PLANNING
4524 MCKINNEY AVE. SUITE 107
DALLAS, TX 75205
(214) 559-2800
FAX (214) 520-7394

AMERICAN NATIONAL BANK OF ROCKWALL
ROCKWALL, TEXAS



REVISIONS	

DATE 11-21-94
SHEET 1 NO.

A-1
OF 21 SHEETS