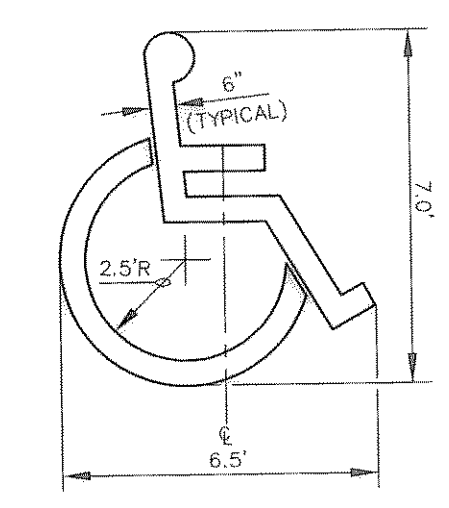
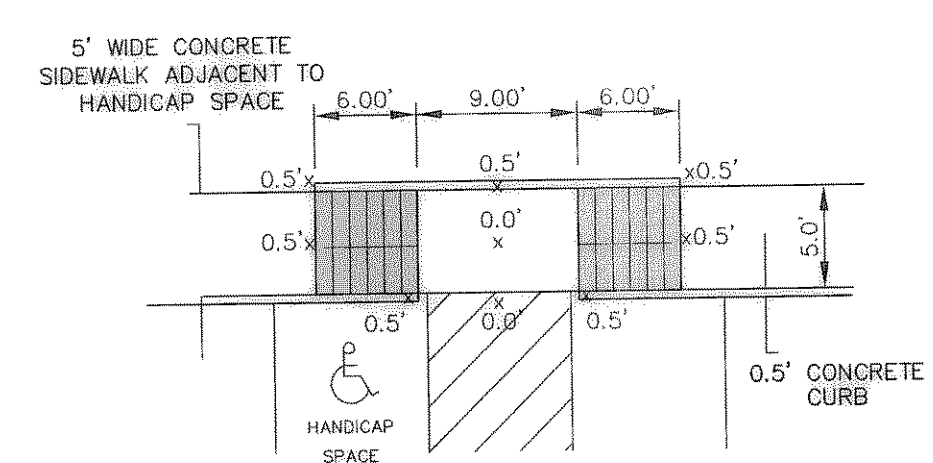


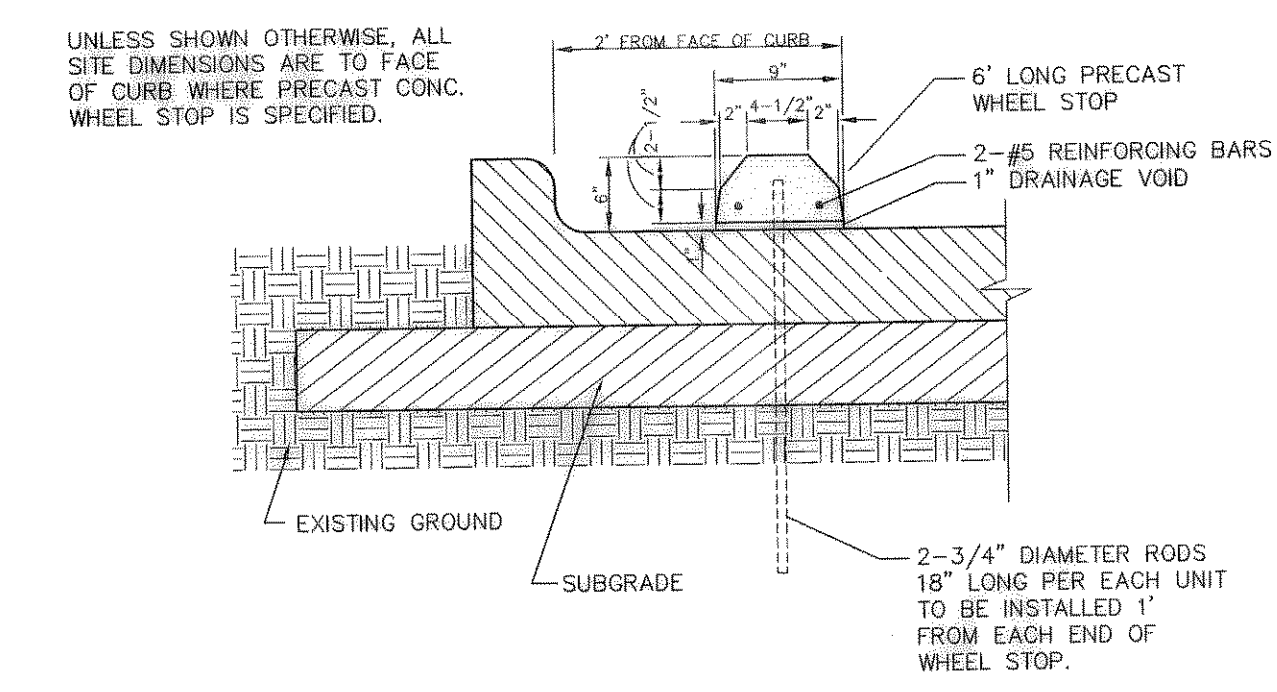
PARKING LOT STRIPING DETAILS
N.T.S.



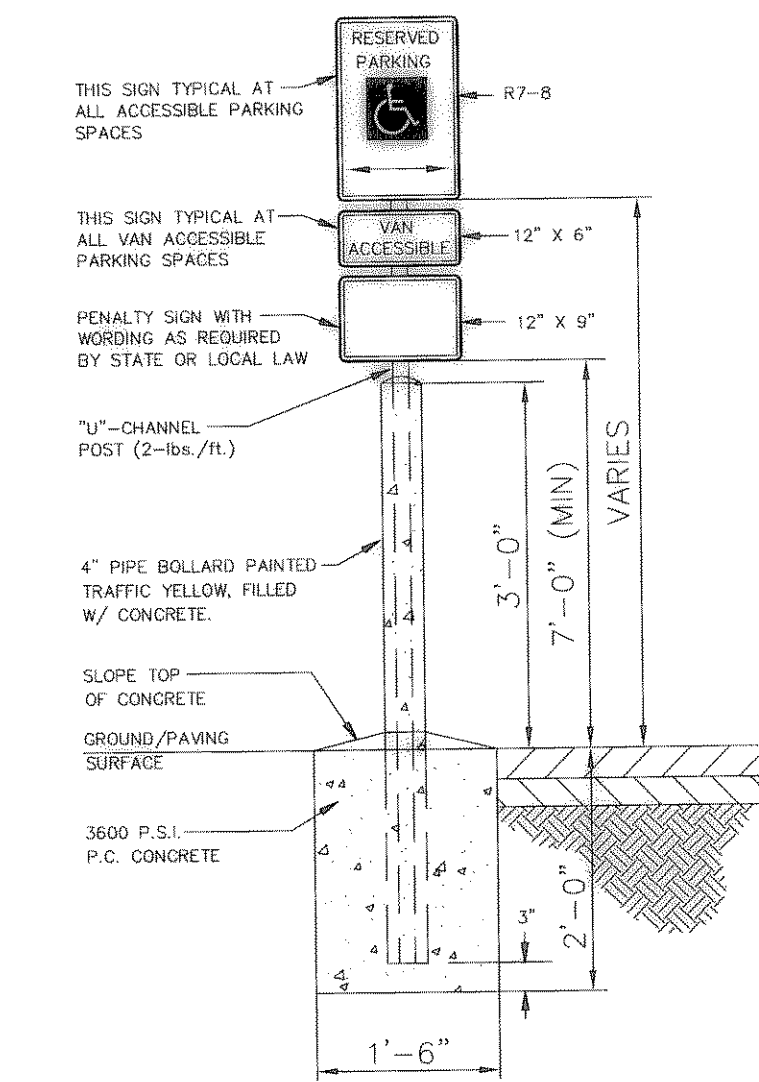
ACCESSIBLE PARKING SYMBOL
LOCATE AT EDGE OF PARKING SPACE UNLESS ACCOMPANIED BY "VAN" LETTERING



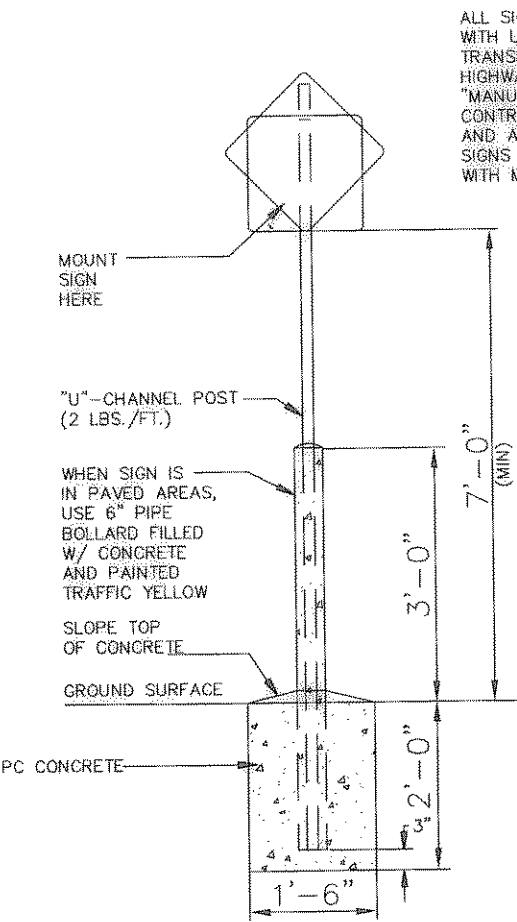
ONSITE HANDICAP RAMP - DOUBLE
N.T.S.



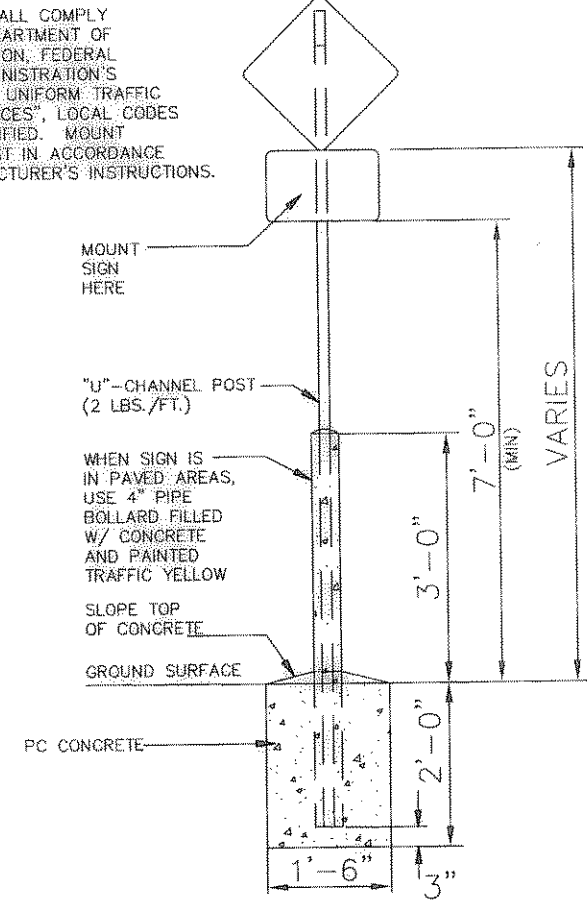
PRECAST CONCRETE WHEEL STOP
N.T.S.



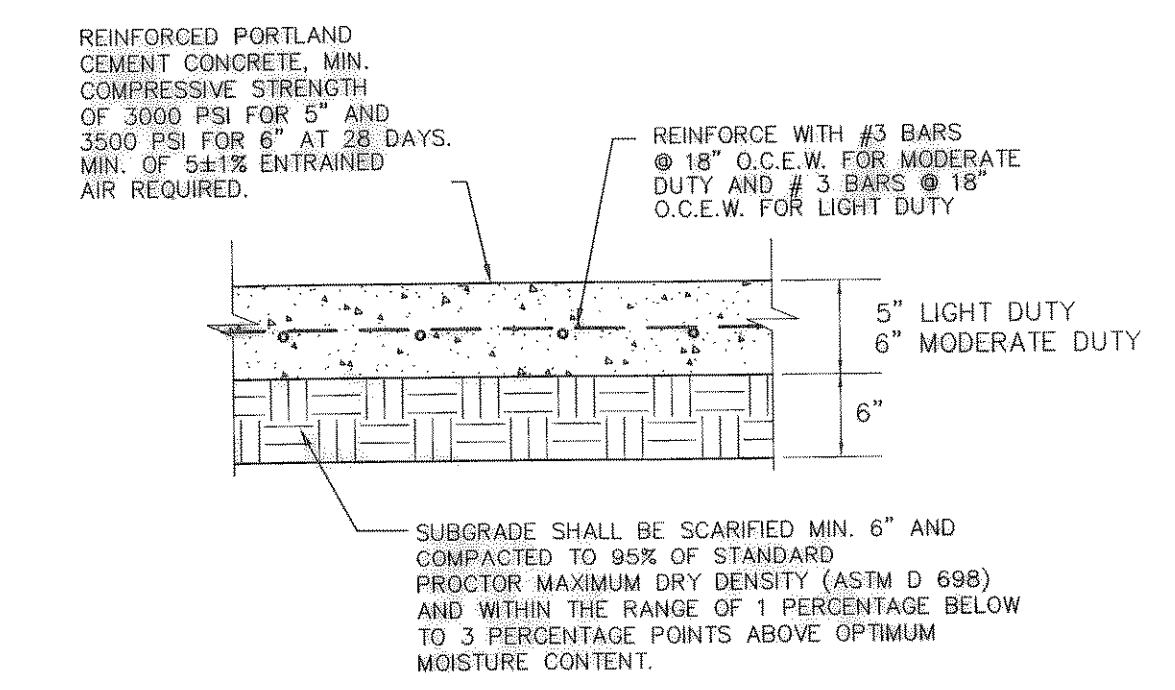
ACCESSIBLE PARKING SIGN
N.T.S.



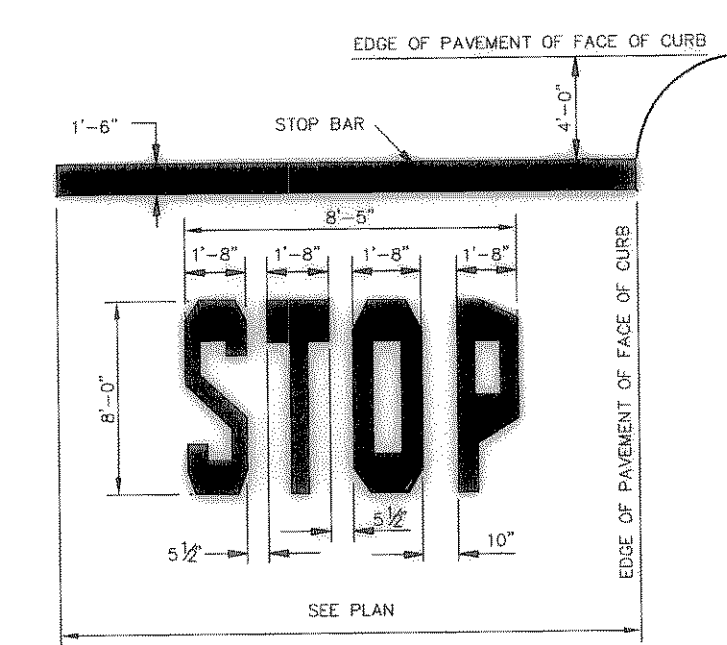
STANDARD SIGN BASE
N.T.S.



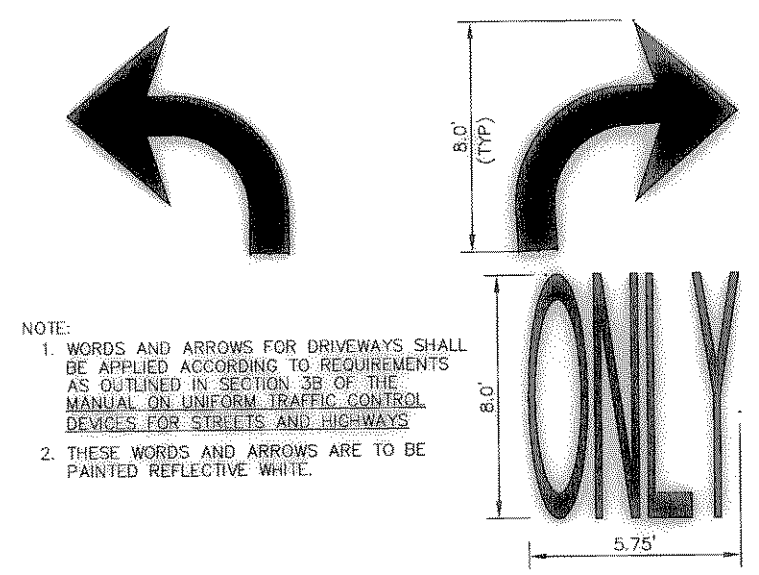
STANDARD PEDESTRIAN CROSSING SIGN BASE
N.T.S.



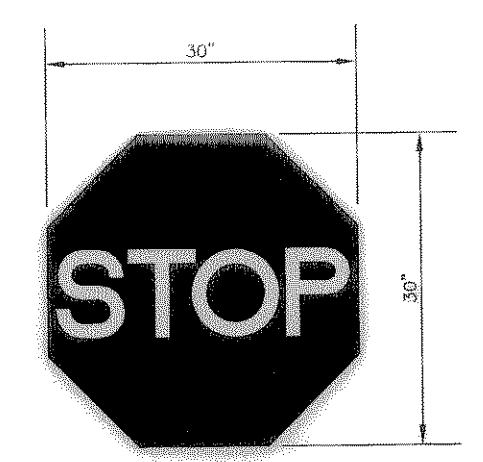
CONCRETE PAVING SECTION
N.T.S.



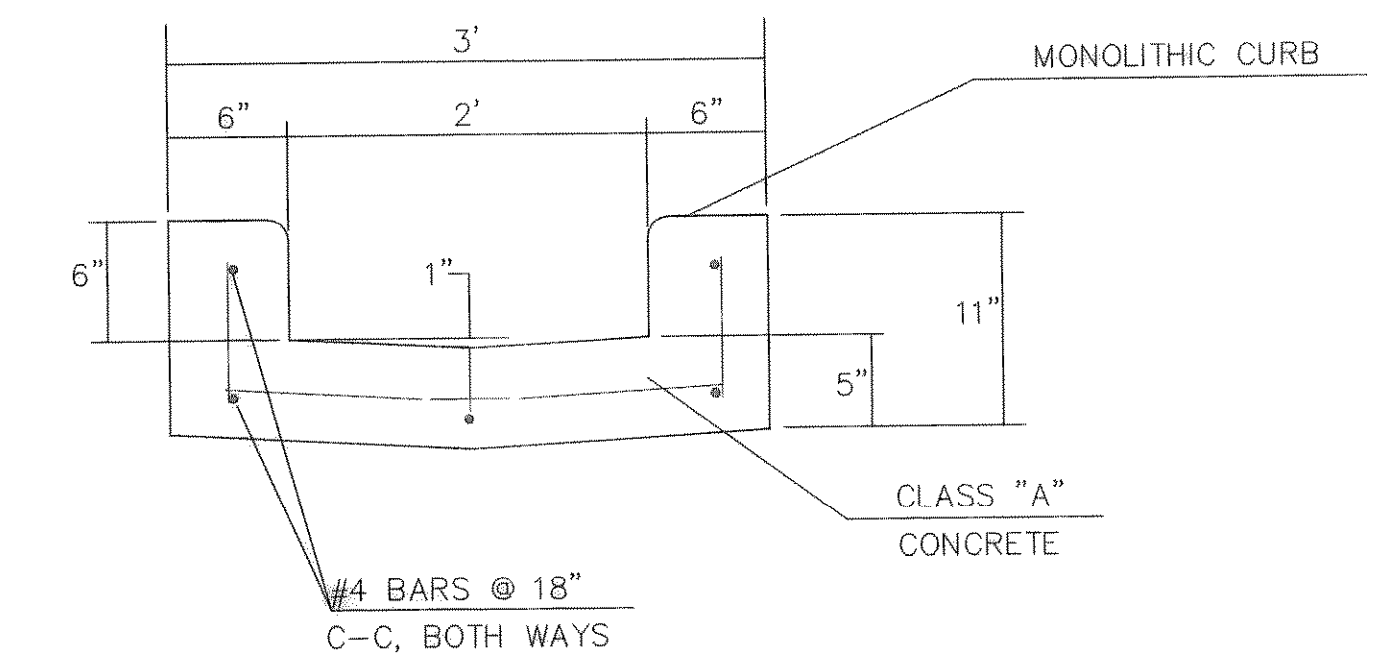
STOP BAR
N.T.S.



RIGHT/LEFT TURN ONLY PAVEMENT MARKINGS
N.T.S.



"STOP" SIGN
N.T.S.



CONCRETE FLUME
N.T.S.

NOTE:
1. WORDS AND ARROWS FOR DRIVEWAYS SHALL BE APPLIED ACCORDING TO REQUIREMENTS AS OUTLINED IN SECTION 39 OF THE MANUAL ON UNIFORM TRAFFIC CONTROL DEVICES FOR STREETS AND HIGHWAYS.
2. THESE WORDS AND BAR ARE TO BE PAINTED REFLECTIVE WHITE.

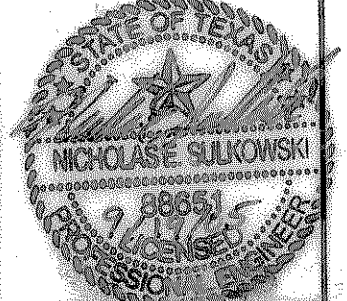
NOTE:
1. WORDS AND ARROWS FOR DRIVEWAYS SHALL BE APPLIED ACCORDING TO REQUIREMENTS AS OUTLINED IN SECTION 39 OF THE MANUAL ON UNIFORM TRAFFIC CONTROL DEVICES FOR STREETS AND HIGHWAYS.
2. THESE WORDS AND ARROWS ARE TO BE PAINTED REFLECTIVE WHITE.

NOTE:
1. WORDS AND ARROWS FOR DRIVEWAYS SHALL BE APPLIED ACCORDING TO REQUIREMENTS AS OUTLINED IN SECTION 39 OF THE MANUAL ON UNIFORM TRAFFIC CONTROL DEVICES FOR STREETS AND HIGHWAYS.
2. THESE WORDS AND ARROWS ARE TO BE PAINTED REFLECTIVE WHITE.

UNLESS SHOWN OTHERWISE, ALL SITE DIMENSIONS ARE TO FACE OF CURB WHERE PRECAST CONC. WHEEL STOP IS SPECIFIED.

RECORD DRAWING
THIS DRAWING REFLECTS THE BEST OF THE DESIGN ENGINEER'S KNOWLEDGE, THE APPROXIMATE LOCATION OF THE STRUCTURE UNDER CONSTRUCTION, AND THE INFORMATION PROVIDED BY THE CONTRACTORS.

App. Revisions No. Date
Kimley-Horn and Associates, Inc.
 13105 Park Central Drive, Suite 1800
 Dallas, Texas 75255
 Tel. No. (972) 770-1300
 Fax No. (972) 259-3820



ALLIANCE
ROCKWALL COUNTY
CITY OF ROCKWALL, TEXAS

MISC. CONSTRUCTION DETAILS

Scale: N/A
 Designed by: KHA
 Drawn by: KHA
 Checked by: NES
 Date: SEPTEMBER 2005
 Project No. 064015000
 9/12/2005 10:28am
 File: C:\3101\644015000\40150001.dwg
 Xref: >230

SHEET
 C-29

FOR GENERAL NOTES, SEE SHEET "GENERAL NOTES"