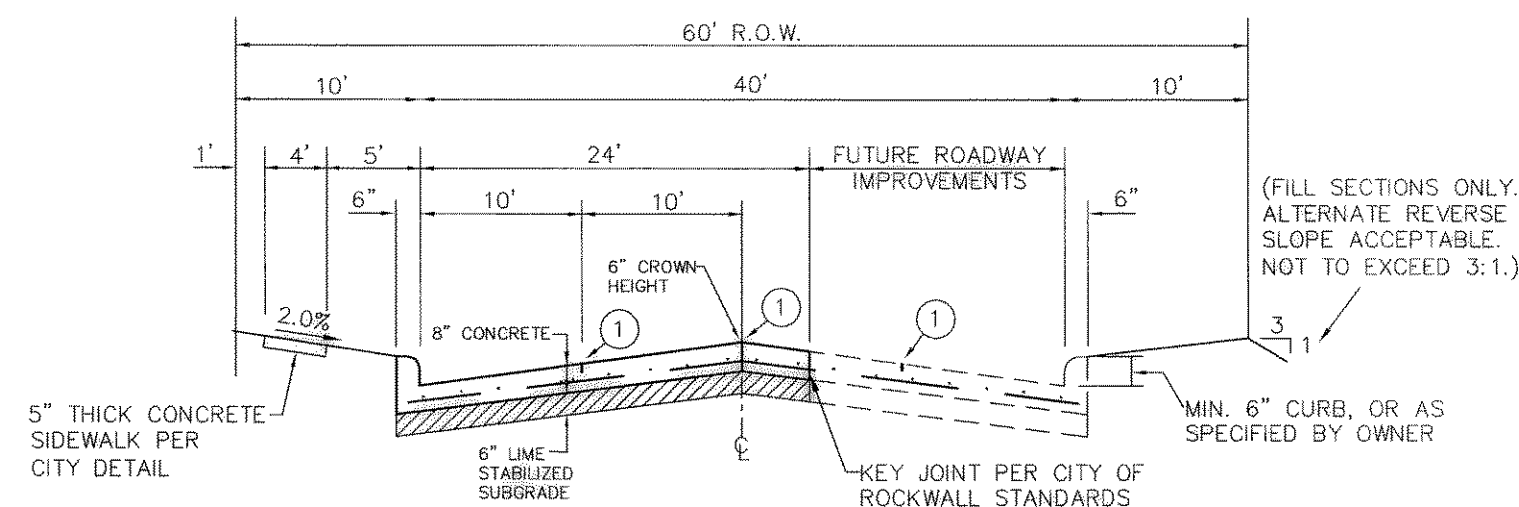


ASPHALT PAVEMENT TRANSITION SECTION
NTS



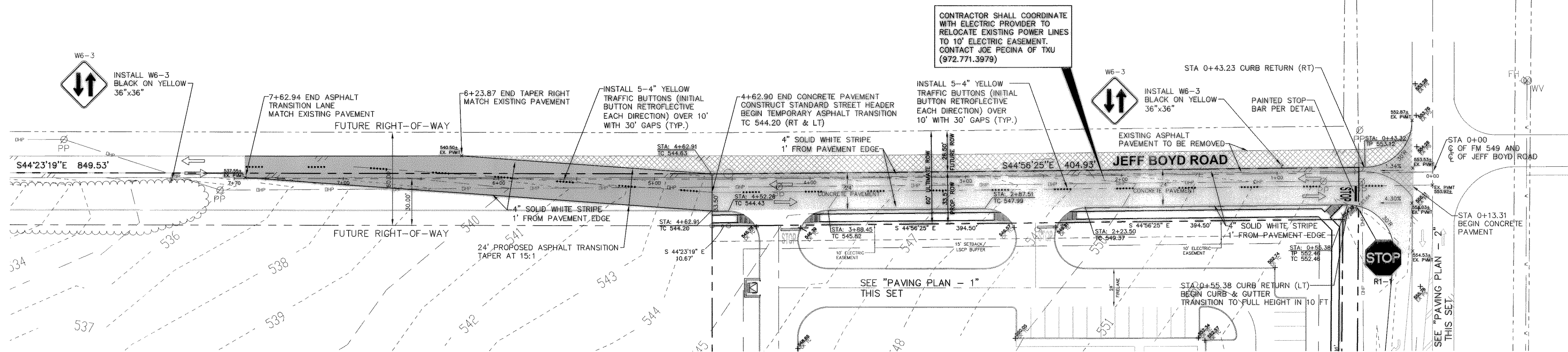
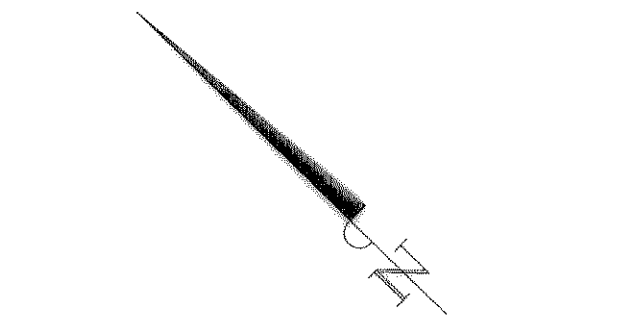
- NOTES:
1. ALL REINFORCEMENT SHALL BE #3 BARS ON 18" CENTERS BOTH WAYS, EXCEPT WHERE NOTED.
 2. PAVEMENT STRENGTH SHALL CONFORM TO CLASS "C" CONCRETE, OR AS SPECIFIED BY THE OWNER.

24' B-B CONCRETE PAVEMENT
NTS

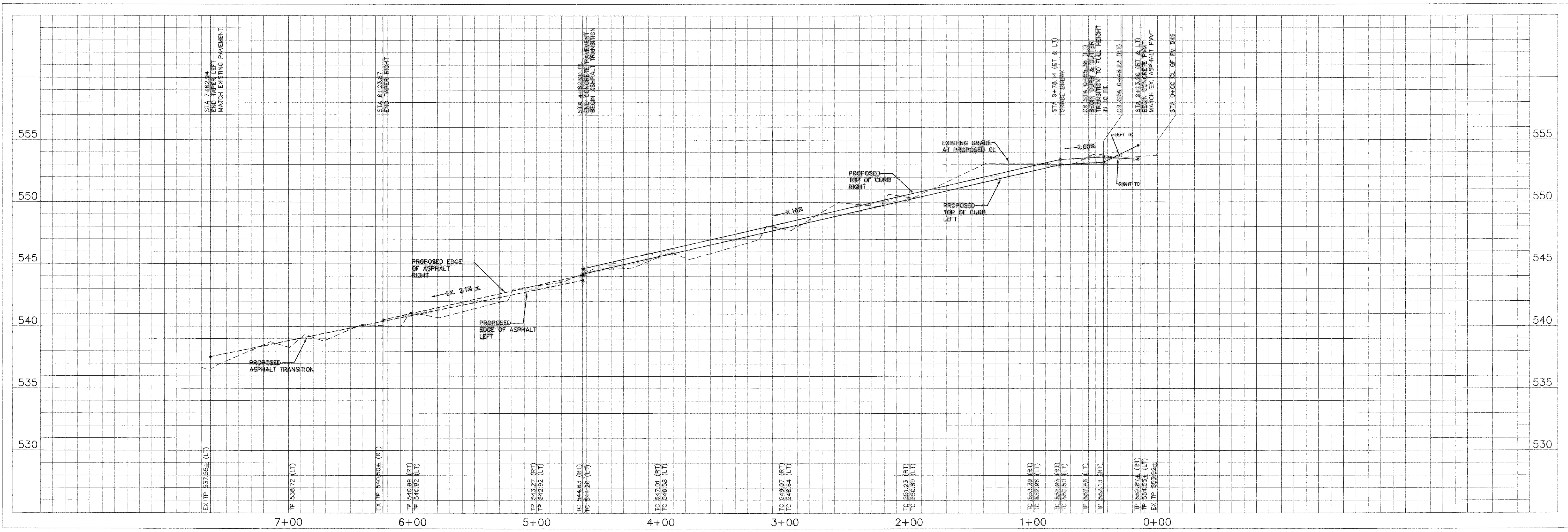
- NOTES:
1. ALL CONSTRUCTION IN ROW SHALL CONFORM WITH THE CITY OF ROCKWALL STANDARDS OF DESIGN AND CONSTRUCTION.
 2. REFERENCE GENERAL NOTES FOR ADDITIONAL PAVING NOTES.

LEGEND

- PROPOSED 8" PORTLAND CEMENT CONCRETE, MIN. 28 DAY COMPRESSIVE STRENGTH OF 3600 PSI WITH #3 BARS ON 24" C.C.E.W. OVER 6" LIME STABILIZED SUBGRADE. PER CITY OF ROCKWALL STANDARD SPECIFICATIONS. (SIX SACK MIN. FOR MACHINE POUR AND 6.5 SACK MIN. FOR HAND POUR.) (JEFF BOYD ROAD IMPROVEMENTS)
- PROPOSED 2" THICK ASPHALTIC CONCRETE PAVEMENT TYPE "D" OVER 4" THICK ASPHALTIC CONCRETE PAVEMENT TYPE "B". BOTH CONFORMING TO TxDOT (THD) SPECIFICATION 340. BASE MATERIAL TO CONSIST OF 6" LIME STABILIZED SUBGRADE. (ASPHALT TRANSITION)
- EXISTING ASPHALT PAVEMENT TO BE REMOVED
- DESIGNATES FLOW OF TRAFFIC

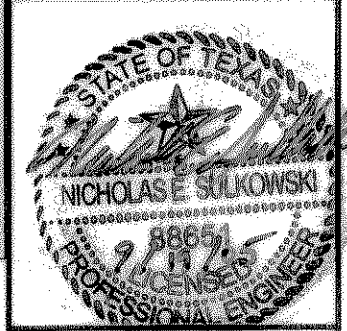


BENCHMARK #1 (BM1)
TOP OF FLANGE NUT ON CONCRETE BASE OF LIGHT POLE OF THE FOOTBALL FIELD AND TRACK AT THE NORTHWEST END.
EL. = 529.40



RECORD DRAWING
THIS DRAWING IS THE PROPERTY OF THE DESIGN ENGINEERS. TO THE BEST OF THE DESIGN ENGINEERS KNOWLEDGE, THE APPROXIMATE LOCATION OF THE CONSTRUCTED WORK, USING INFORMATION PROVIDED BY THE CONTRACTORS.

Kimley-Horn and Associates, Inc.
Tel. No. (972) 726-1800
Fax No. (972) 726-1800
12700 Park Center Drive, Suite 1800
Dallas, Texas 75251



ALLIANCE
ROCKWALL COUNTY
CITY OF ROCKWALL, TEXAS

PAVING PLAN - 3
JEFF BOYD ROAD

Scale: 1"=40' H., 1"=4' V.
Designed by: NES
Drawn by: SAW
Checked by: NES
Date: SEPTEMBER 2005
Project No. 064015000

SHEET
C-20

File: \\saw\4440000\030000\030000.dwg (030000) 9/16/2005 10:29am
User: saw
Plot: 2x36 XSTC (80) XASB11.XTSPG (80) L1