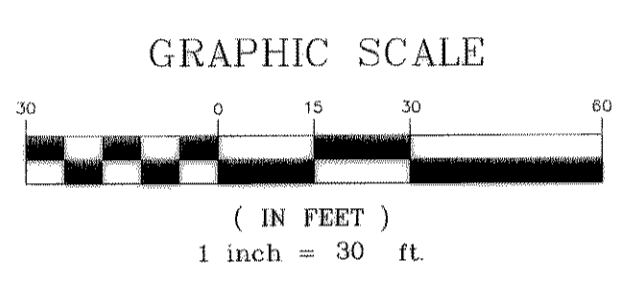
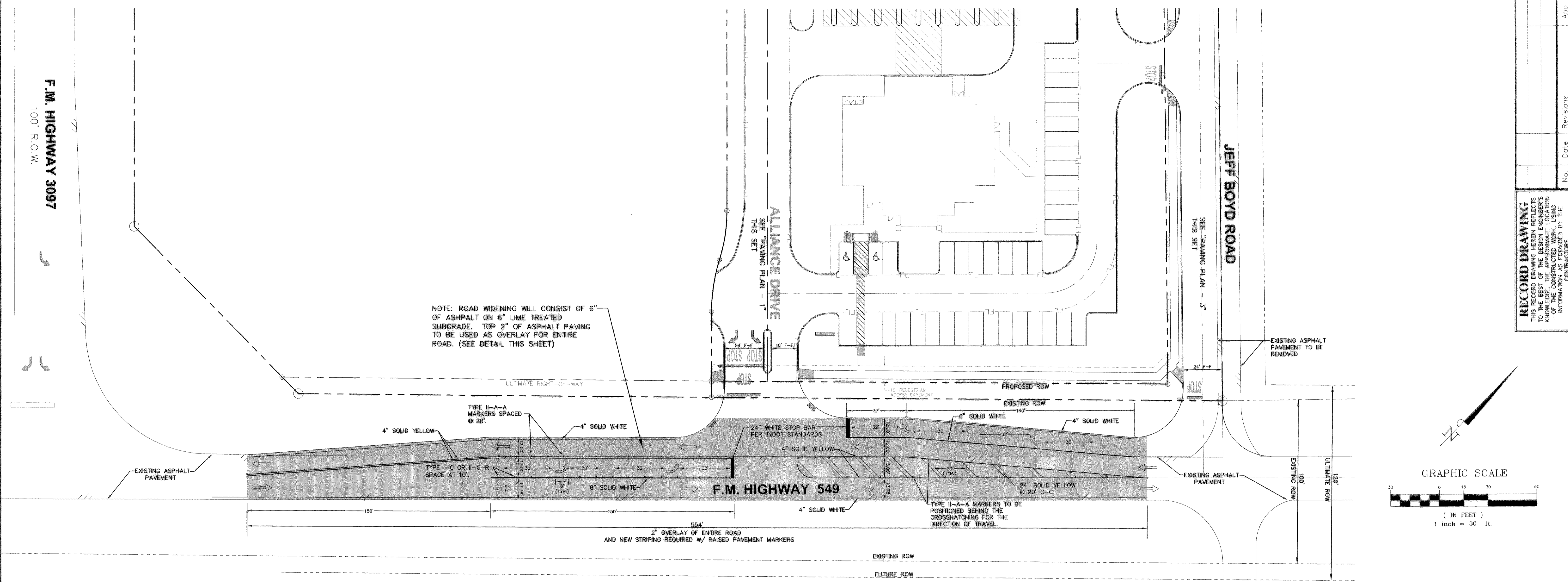
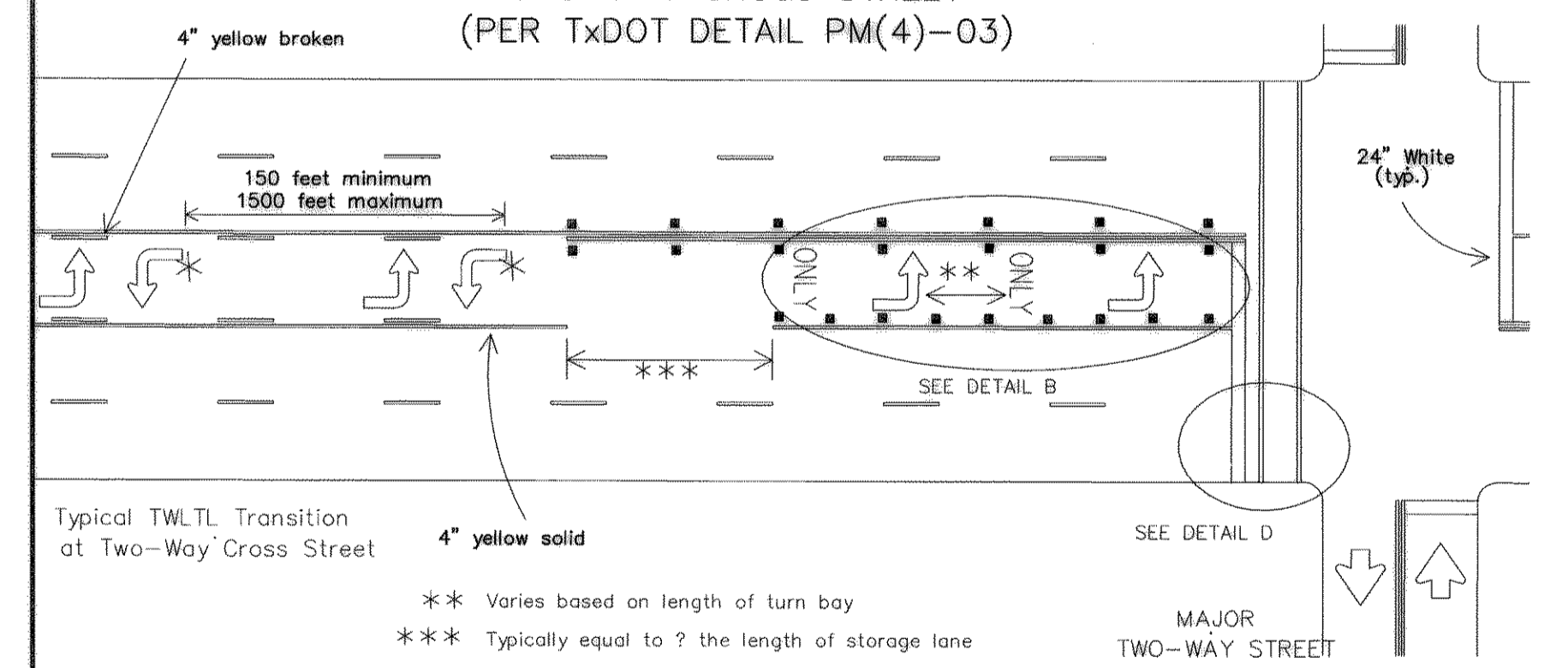


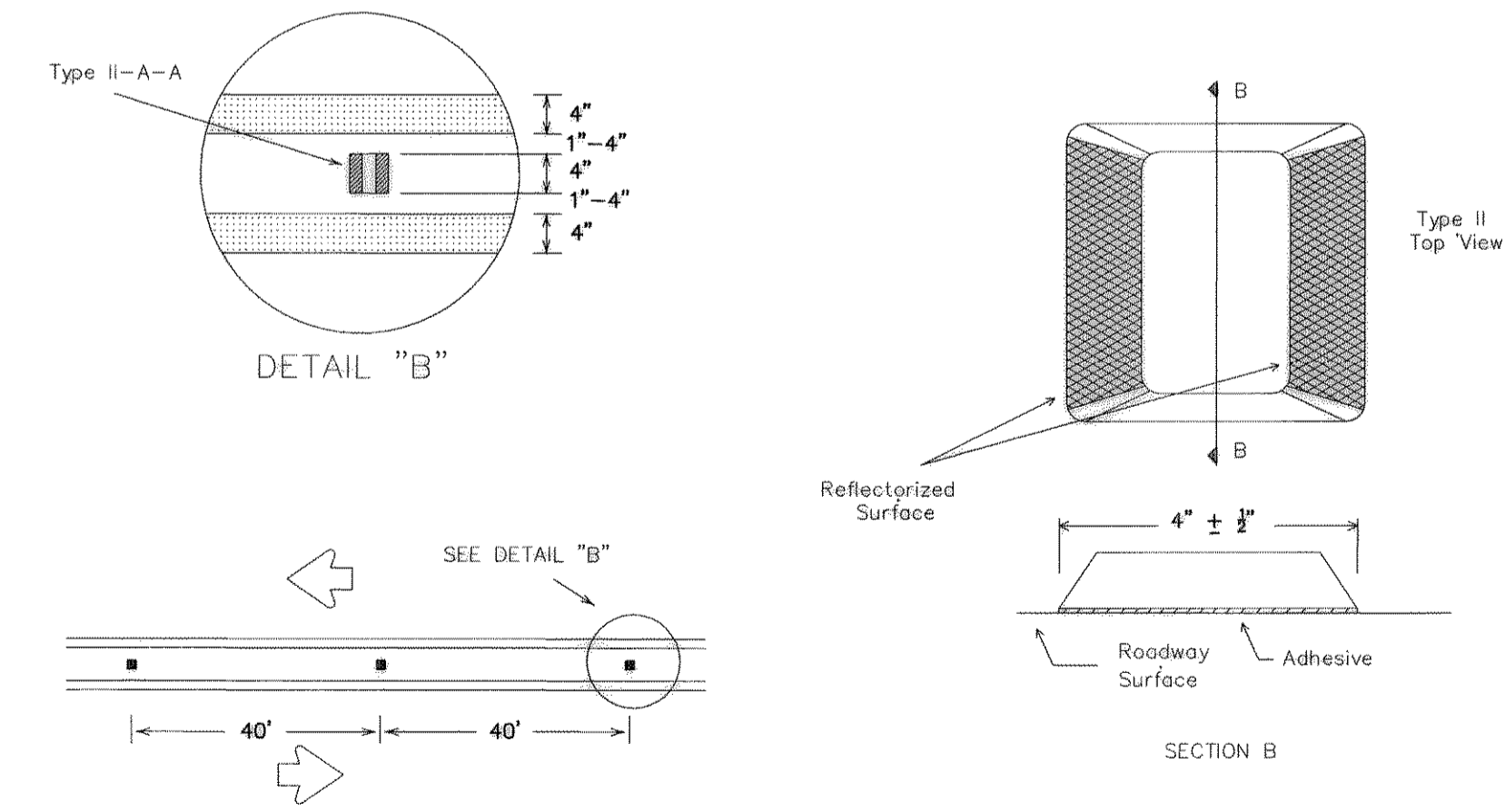
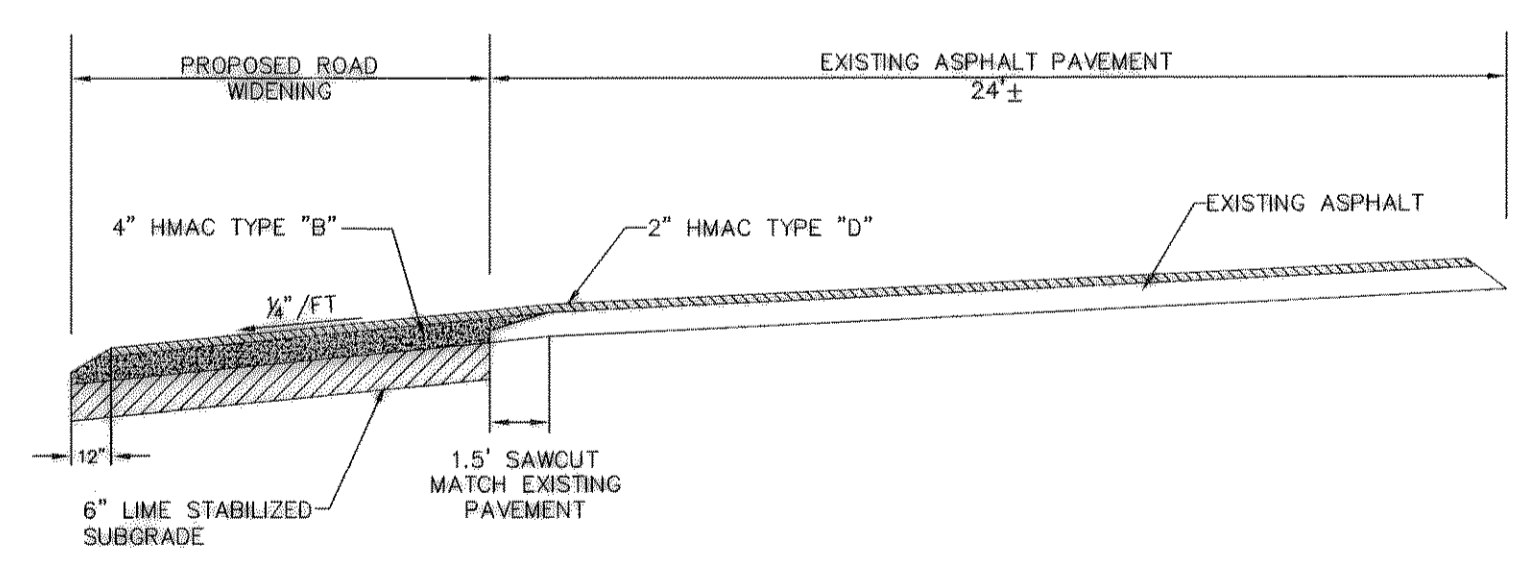
F.M. HIGHWAY 3097
100' R.O.W.



TYPICAL TWLTL TRANSITION AT TWO-WAY CROSS STREET (PER TxDOT DETAIL PM(4)-03)



TYPICAL PAVING SECTION FM 549



PAVEMENT MARKER DETAIL (PER TxDOT DETAIL PM(2)-00A) NTS

LEGEND

- PROPOSED 2" THICK ASPHALTIC CONCRETE PAVEMENT TYPE "D" OVER 4" THICK ASPHALTIC CONCRETE PAVEMENT TYPE "B", BOTH CONFORMING TO TxDOT (THD) SPECIFICATION 340. BASE MATERIAL TO CONSIST OF 6" LIME STABILIZED SUBGRADE. (FM 549 ROAD WIDENING)
- PROPOSED 2" THICK ASPHALTIC CONCRETE PAVEMENT TYPE "D" CONFORMING TO TxDOT (THD) SPECIFICATION 340. TO BE USED AS OVERLAY ON EXISTING FM 549 ASPHALT PAVEMENT ADJACENT TO ROAD WIDENING.
- PROPOSED LEFT TURN ARROW PER TxDOT STANDARDS.
- DESIGNATES FLOW OF TRAFFIC

NOTES:

- ALL CONSTRUCTION IN ROW SHALL CONFORM WITH THE CITY OF ROCKWALL STANDARDS OF DESIGN AND CONSTRUCTION.
- REFERENCE GENERAL NOTES FOR ADDITIONAL PAVING NOTES.

BENCHMARK #1 (BM1)

TOP OF FLANGE NUT ON CONCRETE BASE OF LIGHT POLE OF THE FOOTBALL FIELD AND TRACK AT THE NORTHWEST END.

EL. = 529.40

RECORD DRAWING
THIS RECORD DRAWING HEREIN REFLECTS TO THE BEST OF THE DESIGN ENGINEER'S KNOWLEDGE, AND THE APPROXIMATE LOCATION OF UTILITIES IS BASED ON THE INFORMATION AS PROVIDED BY THE CONTRACTORS.

No.	Date	Revisions	App.

Kimley-Horn and Associates, Inc.
12700 Park Central Drive, Suite 1800
Dallas, Texas 75251
Tel. No. (972) 770-1300
Fax No. (972) 239-1820

NICHOLAS SIKONSKI
Professional Engineer
No. 8866

ALLIANCE
ROCKWALL COUNTY
CITY OF ROCKWALL, TEXAS

PAVING PLAN - 2
FM 549

Scale: 1" = 30'

Designed by: NES
Drawn by: SAW
Checked by: NES
Date: SEPTEMBER, 2005
Project No. 064-015000