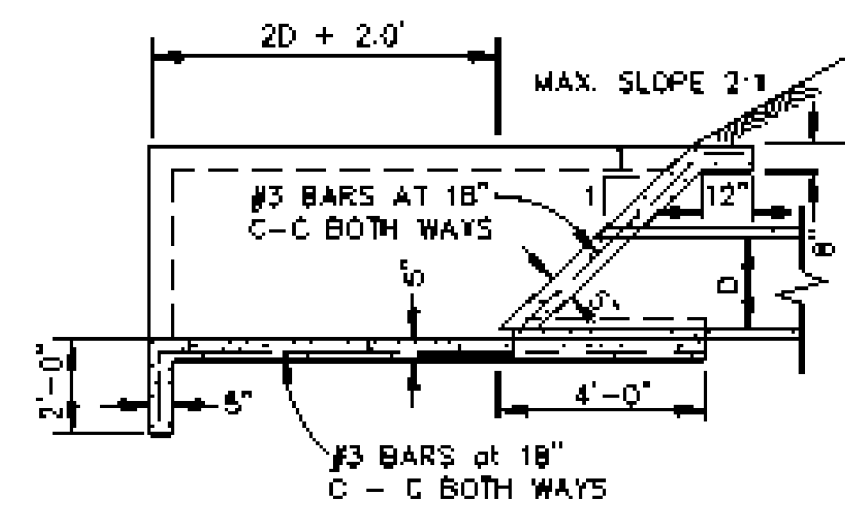
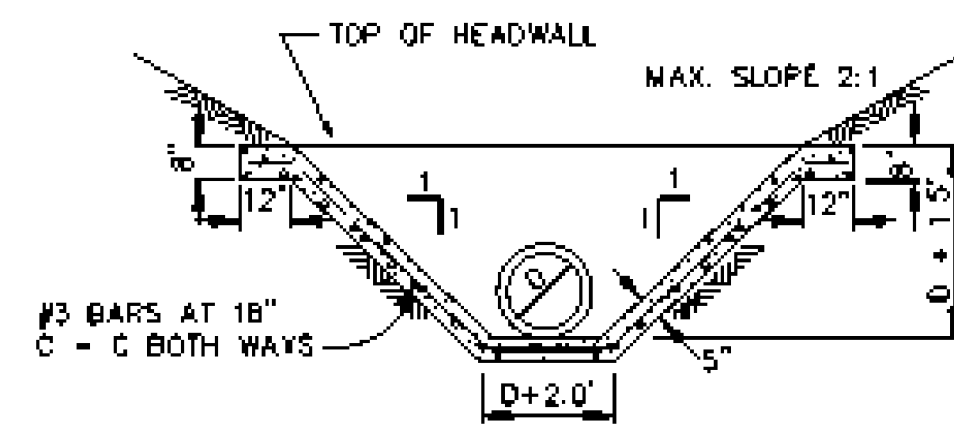


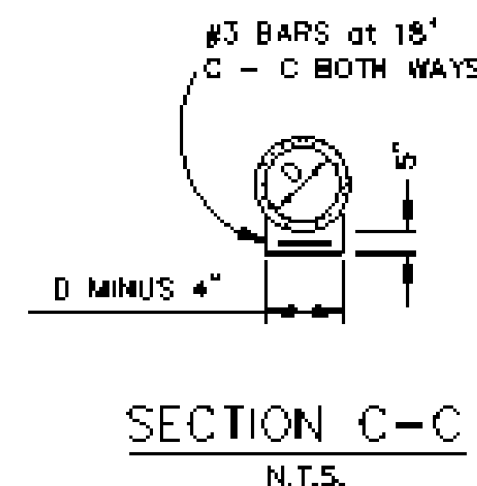
PLAN
N.T.S.



SECTION A-A
N.T.S.



SECTION B-B
N.T.S.

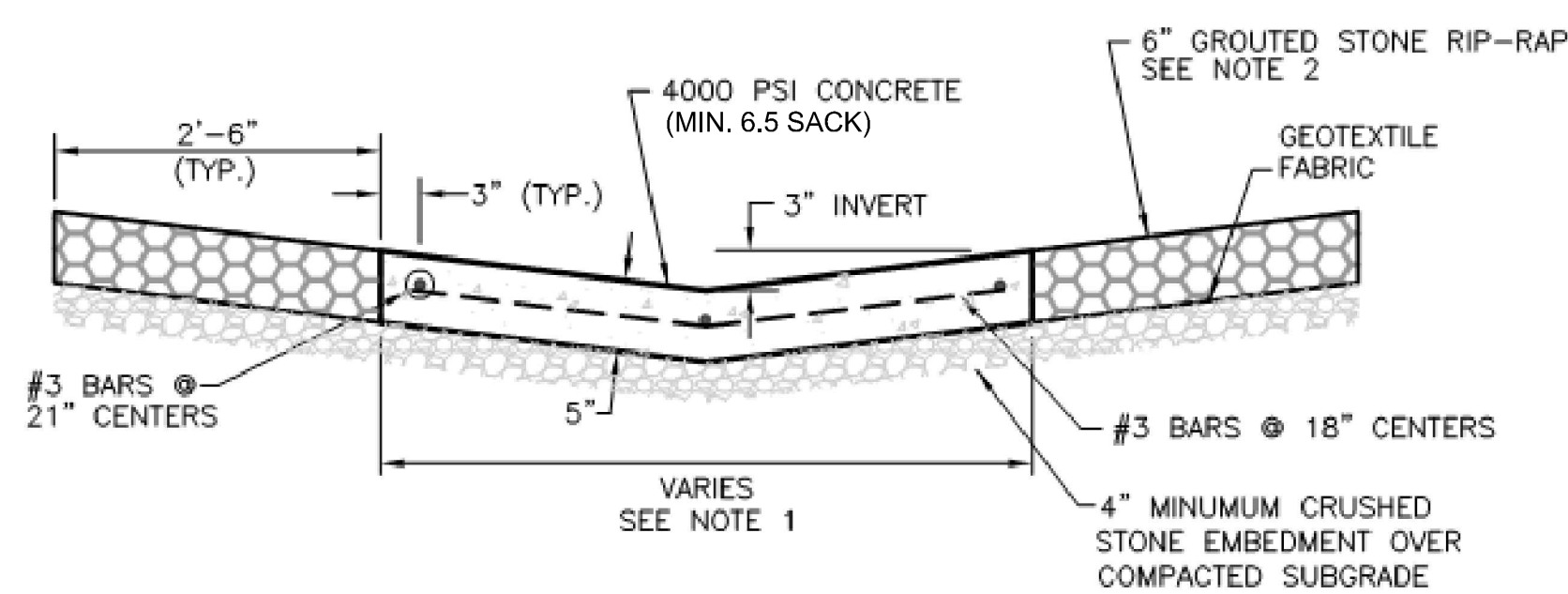


SECTION C-C
N.T.S.

NOTE:
CONCRETE SHALL BE CLASS "A".
CONCRETE = 4,200 PSI (MIN. 6.5 SACK)

CONCRETE APRON
SLOPING HEADWALL

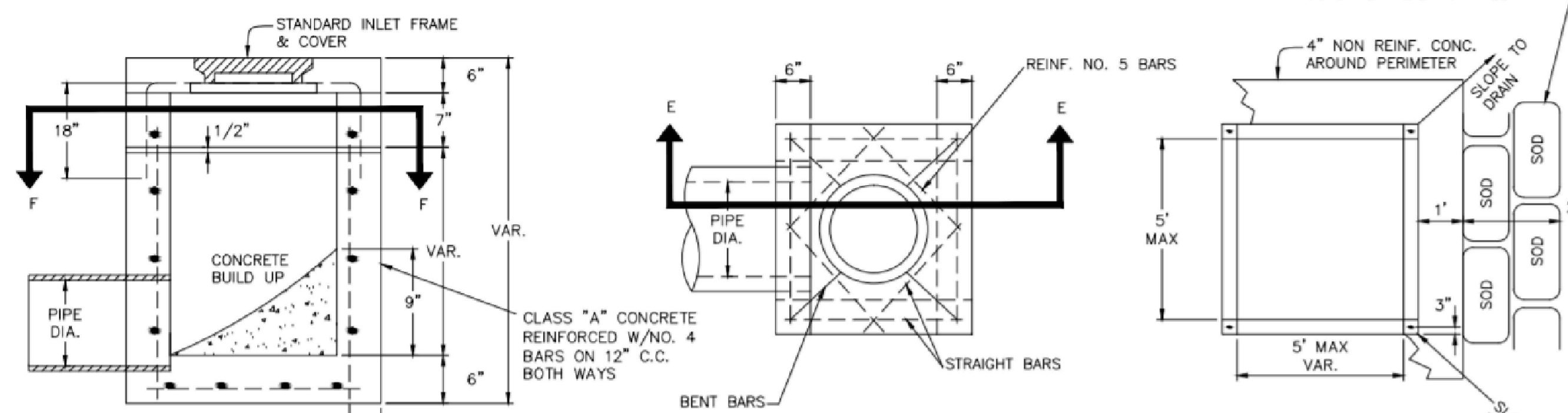
STANDARD SPECIFICATION REFERENCE 803.3
DATE OCT '04
STANDARD DRAWING NO. 6070



TYPICAL FLUME (NO CURB)

NOTES:

- WIDTH AS SPECIFIED IN PLANS. (3' MIN. WIDTH, 6' MAX WIDTH)
- RIP-RAP TO BE USED ADJACENT TO FLUME AT HEADWALLS, FLUME INTERSECTIONS AND WHERE VELOCITIES IN FLUME EXCEED 6 fps. GROUT SHALL BE NO DEEPER THAN 1/2 THE STONE HEIGHT.



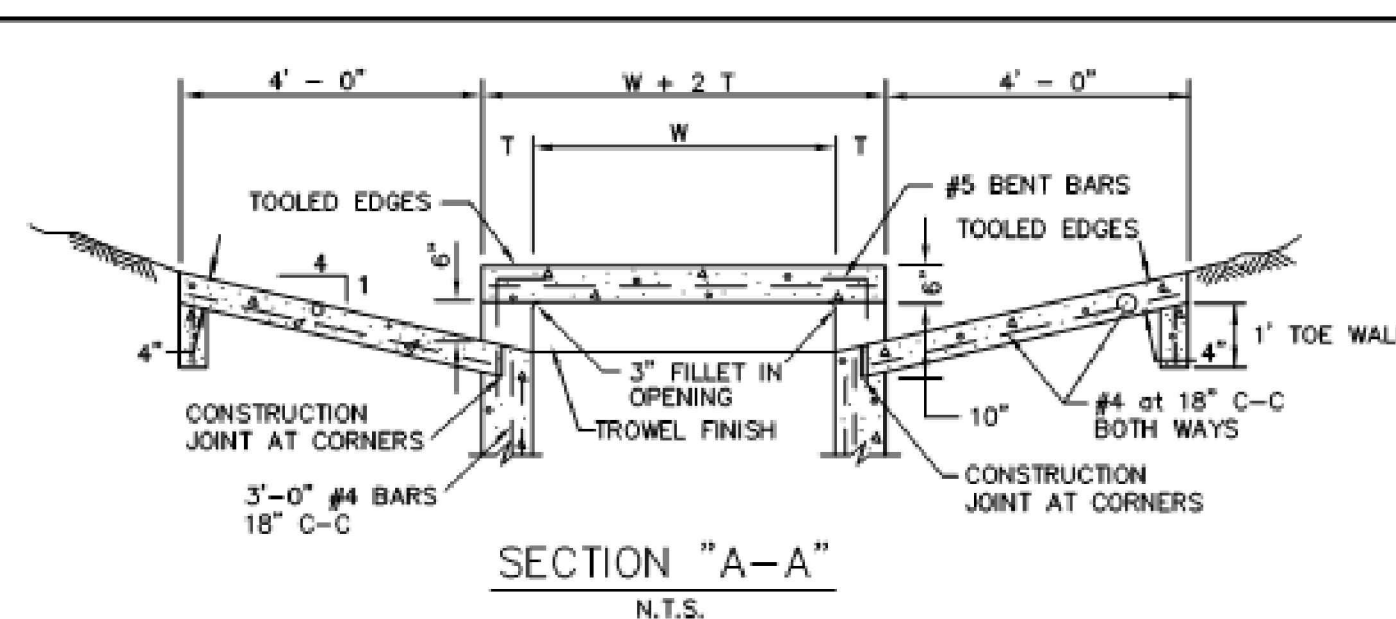
SECTION EE

PLAN

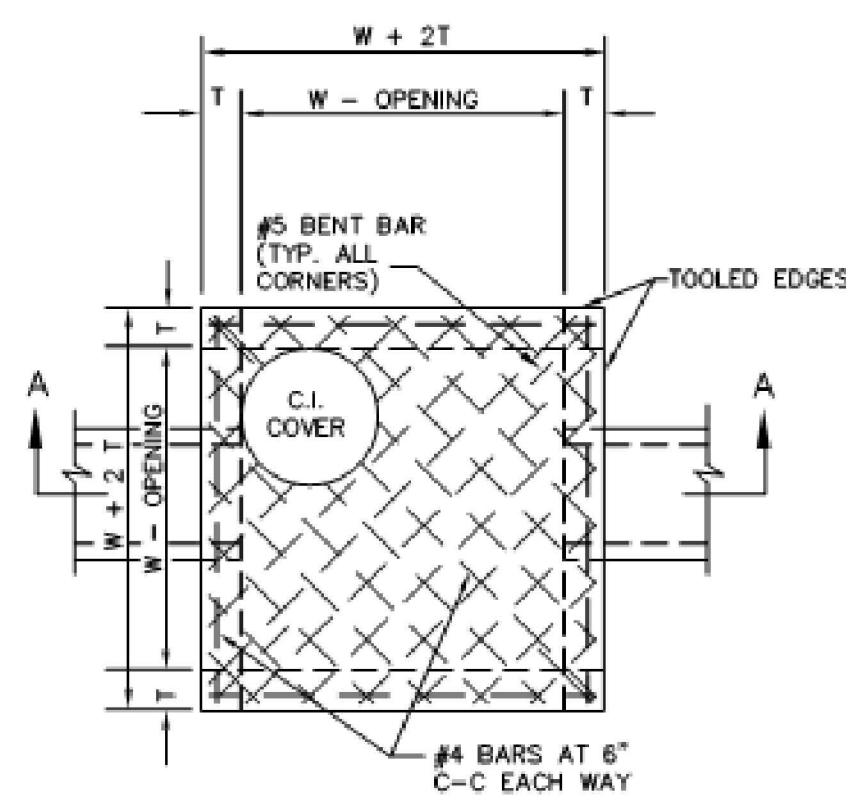
SECTION FF

"Y" TYPE INLET

NOTE:
TOP OF INLET ELEVATION SHALL BE AT OR BELOW THE LOWEST ADJACENT CURB.



SECTION "A-A"
N.T.S.



PLAN OF TOP SLAB
N.T.S.

INLET SIZE	T	W
2' SQUARE	7"	2'-0"
4' SQUARE	7"	4'-0"
5' SQUARE	8"	5'-0"
6' SQUARE	9"	6'-0"

NOTES:

- MATERIAL AND WORKMANSHIP SHALL CONFORM WITH THE REQUIREMENTS OF NCTCOG STANDARD SPECIFICATIONS FOR STANDARD CONCRETE MANHOLES. MINIMUM CLASS "A" CONCRETE.
- LAYERS OF REINFORCING STEEL NEAREST THE INTERIOR AND EXTERIOR SURFACES SHALL HAVE A COVER OF 2" TO THE CENTER OF BARS, UNLESS OTHERWISE NOTED.
- FOR DETAILS OF REINFORCING OF LOWER PORTIONS OF INLET SEE APPROPRIATE SQUARE MANHOLE DETAILS.
- DEPTH OF DROP INLET FROM FINISHED GRADE TO FLOW LINE OF INLET IS VARIABLE. APPROXIMATE DEPTH WILL BE SHOWN ON PLANS AT LOCATION OF INLET.
- ALL STANDARD DROP INLETS SHALL HAVE ONE OPENING ON EACH SIDE UNLESS OTHERWISE SHOWN ON PLANS.
- DECK MAY BE REINFORCED SAME AS 4' SQUARE MANHOLE.

DROP INLET	North Central Texas Council of Governments	STANDARD SPECIFICATION REFERENCE 702
2', 4', 5' OR 6' SQUARE		DATE OCT. '04
		STANDARD DRAWING NO. 6040

RECORD DRAWING

THIS RECORD DRAWING TO THE BEST OF OUR KNOWLEDGED BURGESS AND NIPLE, INC. 3 SUGAR CREEK CENTER BOULEVARD, SUITE 610 SUGAR LAND, TEXAS 77478, HEREBY STATES THIS PLAN IS AS-BUILT. THIS INFORMATION PROVIDED IS BASED ON SURVEYING AT THE SITE AND INFORMATION PROVIDED BY THE CONTRACTOR.

THOMAS A. LUNZMAN P.E.
DATE: 02/08/2021

BURGESS & NIPLE
10701 CORPORATE DR., SUITE 118
STAFFORD, TEXAS 77477
PHONE: (281) 980-7705
TXPE FIRM REGISTRATION NO. F-10894

BENCHMARK
CITY: BRL
SITE BENCH CROSS CUT ON TOP OF CURB AT THE NORTHEAST CORNER OF DISTRICT BUILDING 95 SOUTH WESTERLY FROM THE CENTER OF DISTRICT BUILDING 95 AND 340 SOUTH WESTERLY FROM THE CENTER OF JASTIN ROAD. ELEV. = 583.32
SITE BENCH TWO: CROSS CUT IN SIDEWALK AT SOUTH WESTERLY FROM THE CENTER OF TOWNSHED BLVD. & 800 W. DRIVE. ELEV. = 585.72

NCTCOG STORMWATER
DETAILS
ALDERS AT ROCKWALL
SENIOR INDEPENDENT LIVING
COMMUNITY

REV'S	DATE	BY	CHK
1	02/21/19	TAL	TAL
2	05/17/19	TAL	TAL
3	07/17/19	KTM	TAL

NO. 17/19
12/25/19

THOMAS A. LUNZMAN
122259
PROFESSIONAL ENGINEER
STATE OF TEXAS

JOB NUMBER: 56211
DESIGNED BY: TAL
DRAWN BY: NRM/TAL
APPROVED BY: TAL
CHECKED BY: JTR
DATE: 01/29/2019
SCALE: NONE

SHEET NUMBER: C.23 OF 23