

NORTH GOLIAD STREET  
(STATE HWY. 205)

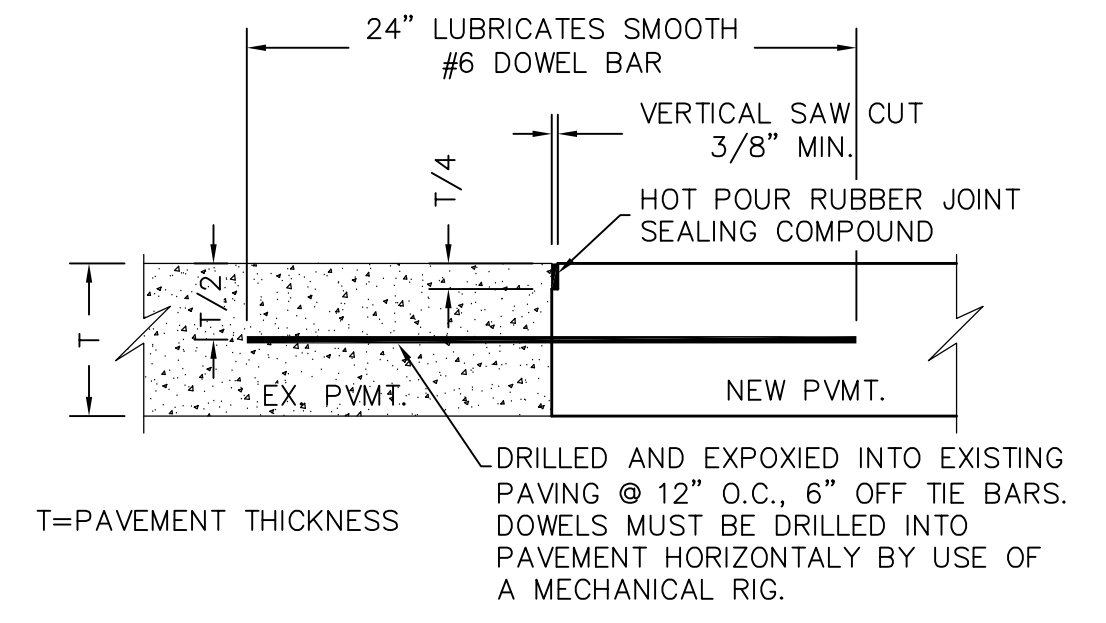
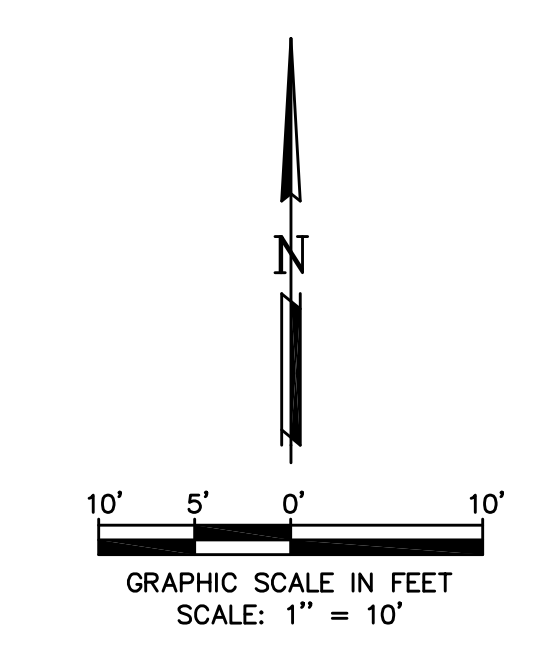
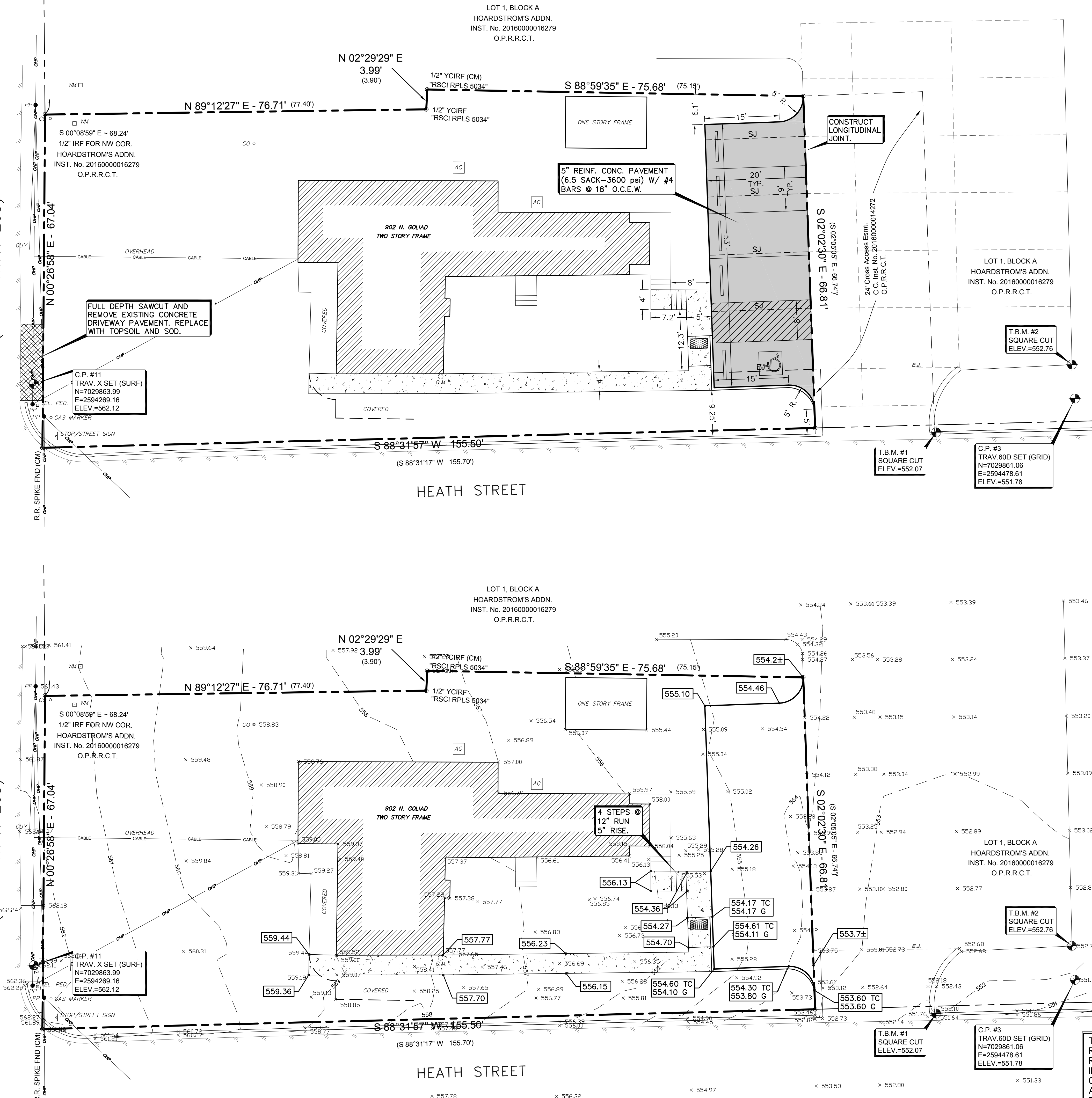
NORTH GOLIAD STREET  
(STATE HWY. 205)

LOT 1, BLOCK A  
HOARDSTROM'S ADDN.  
INST. No. 2016000016279  
O.P.R.R.C.T.

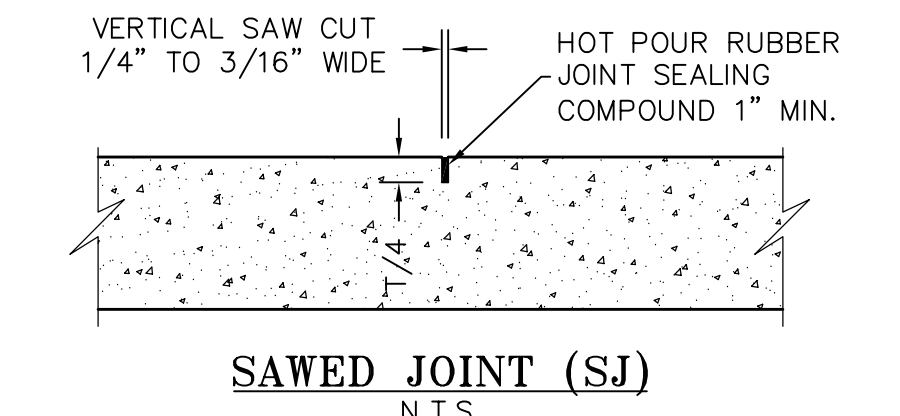
LOT 1, BLOCK A  
HOARDSTROM'S ADDN.  
INST. No. 2016000016279  
O.P.R.R.C.T.

LOT 1, BLOCK A  
HOARDSTROM'S ADDN.  
INST. No. 2016000016279  
O.P.R.R.C.T.

LOT 1, BLOCK A  
HOARDSTROM'S ADDN.  
INST. No. 2016000016279  
O.P.R.R.C.T.

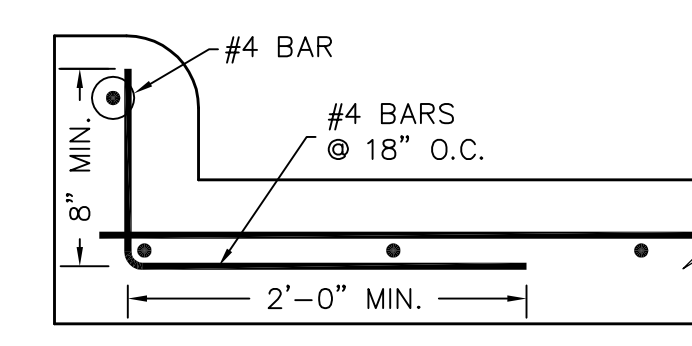


**BUTT JOINT**  
(LONGITUDINAL OR TRANSVERSE)  
N.T.S.

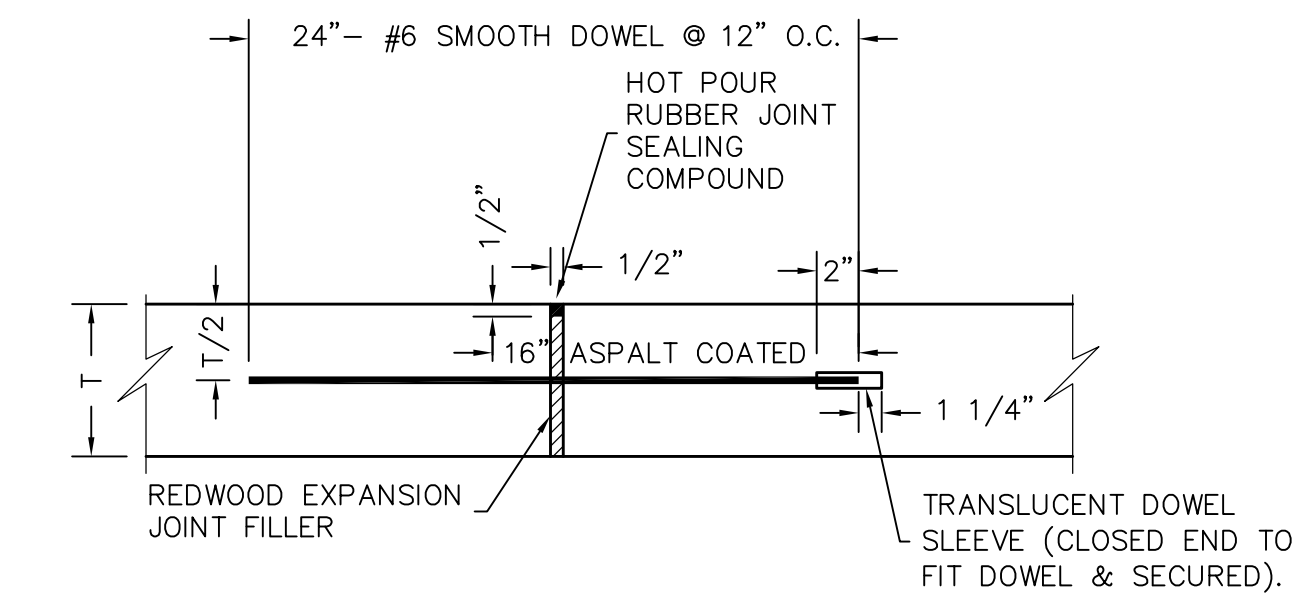


**SAWED JOINT (SJ)**  
N.T.S.

SAWED CONTROL JOINT MUST BE SAWCUT WITHIN THE FIRST 24 HOURS AFTER THE CONCRETE PAVEMENT IS POURED. FAILURE TO DO SO MAY CAUSE UNCONTROLLED CRACKS AND WILL RESULT IN REMOVAL AND REPLACEMENT OF CONCRETE AT THE CONTRACTOR COSTS.



**CURB DETAIL**  
N.T.S.



**EXPANSION JOINT (EJ)**  
N.T.S.

**LEGEND**

- 5" REINF. CONC. PAVEMENT (6.5 SACK-3600 psi) W/ #4 BARS @ 18" O.C.E.W. OVER 6" SUBGRADE, SCARIFIED AND COMPACTED TO 95% STD. PROCTOR DENSITY (ASTM-D698). W/ +2% to +4% OPTIMUM MOISTURE CONTENT. (PARKING)- NO SAND CUSHION UNDER PAVING
- SJ SAWED CONTRACTION JOINT
- EJ EXPANSION JOINT

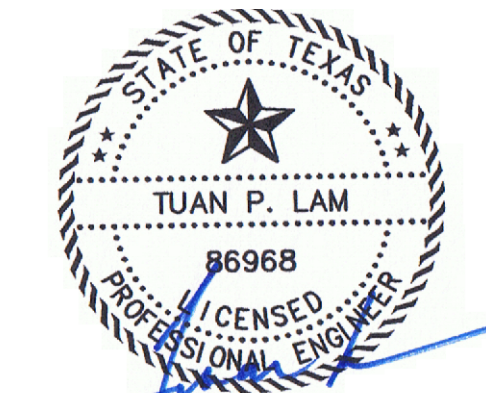
**LEGEND**

- 554.00 TOP OF PAVING ELEVATION
- 554.50 TC TOP OF CURB ELEVATION
- 554.00 G GUTTER ELEVATION
- 553- EXISTING CONTOUR

**AS-BUILT PLANS**

TO THE BEST OF OUR KNOWLEDGE LAM CONSULTING ENGINEERING, HEREBY STATES THAT THIS PLAN IS AS-BUILT. THIS INFORMATION PROVIDED IS BASED ON SITE VISIT. 8/4/17

ALL RESPONSIBILITY FOR ADEQUACY OF DESIGN REMAINS WITH THE DESIGN ENGINEER. THE CITY OF ROCKWALL, IN REVIEWING AND RELEASING PLANS FOR CONSTRUCTION, ASSUMES NO RESPONSIBILITY FOR ADEQUACY OR ACCURACY OF DESIGN.



THE SEAL APPEARING ON THIS DOCUMENT WAS AUTHORIZED BY TUAN P. LAM, P.E. 86968 ON 11/7/16. ALTERATION OF A SEALED DOCUMENT WITHOUT THE PROPER NOTIFICATION TO THE RESPONSIBLE ENGINEER IS AN OFFENSE UNDER THE TEXAS ENGINEERING PRACTICE ACT.

**PAVING & GRADING PLAN**

**SERVICE FIRST MORTGAGE OFFICE**  
902 N. GOLIAD STREET  
ROCKWALL, TEXAS

**LAM CONSULTING ENGINEERING**  
6804 WILHELMINA DRIVE  
SACHSE, TEXAS 75048  
Phone (214) 766-1011  
www.lamcivil.com  
Firm #F-9763

THE INFORMATION SHOWN ON THIS PLAN IS FROM RECORD DRAWINGS. THE ENGINEER IS NOT RESPONSIBLE FOR THE ACCURACY OF THE INFORMATION SHOWN ON THIS DRAWING. CONTRACTOR SHALL FIELD VERIFY ALL UTILITIES AND CONTACT ALL UTILITY COMPANIES 48 HRS PRIOR TO ANY ACTIVATION. 1-800-DIG TESS

DESIGN: LCE	CHECK: LCE	SCALE: AS NOTED	1 of 1
DRAWN: CTL	DATE: NOVEMBER 2016	PROJECT: 0600-16	