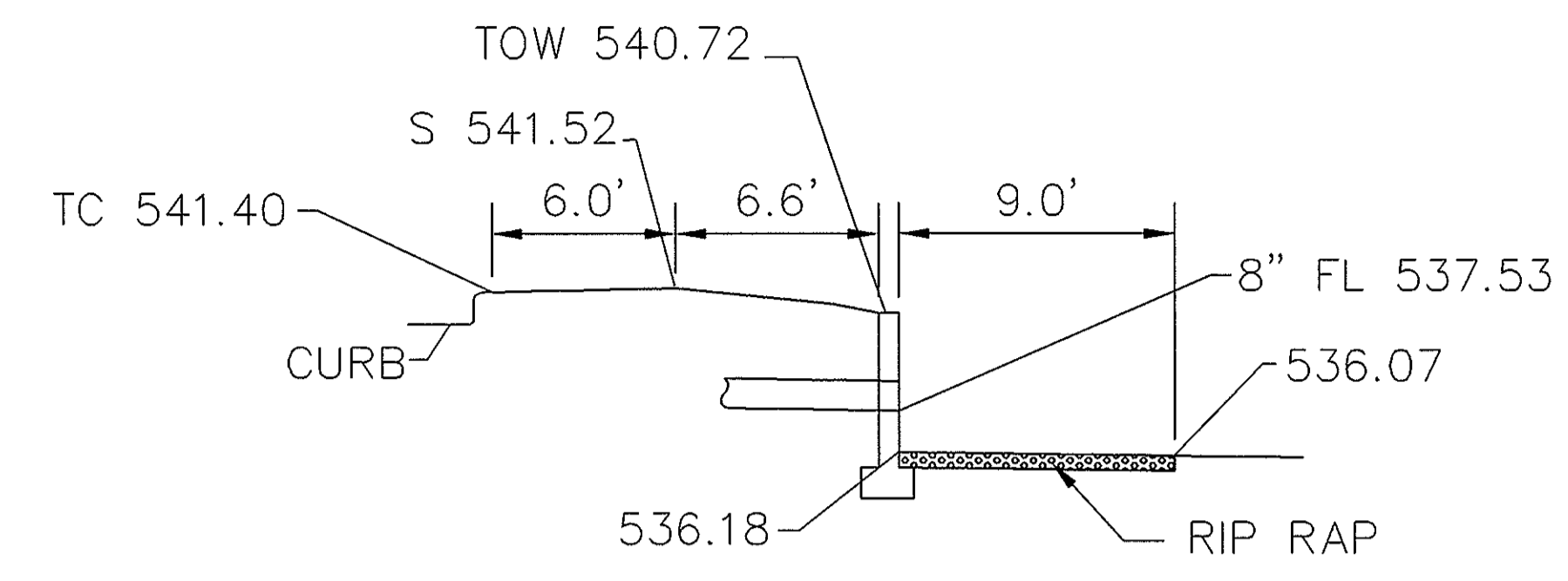
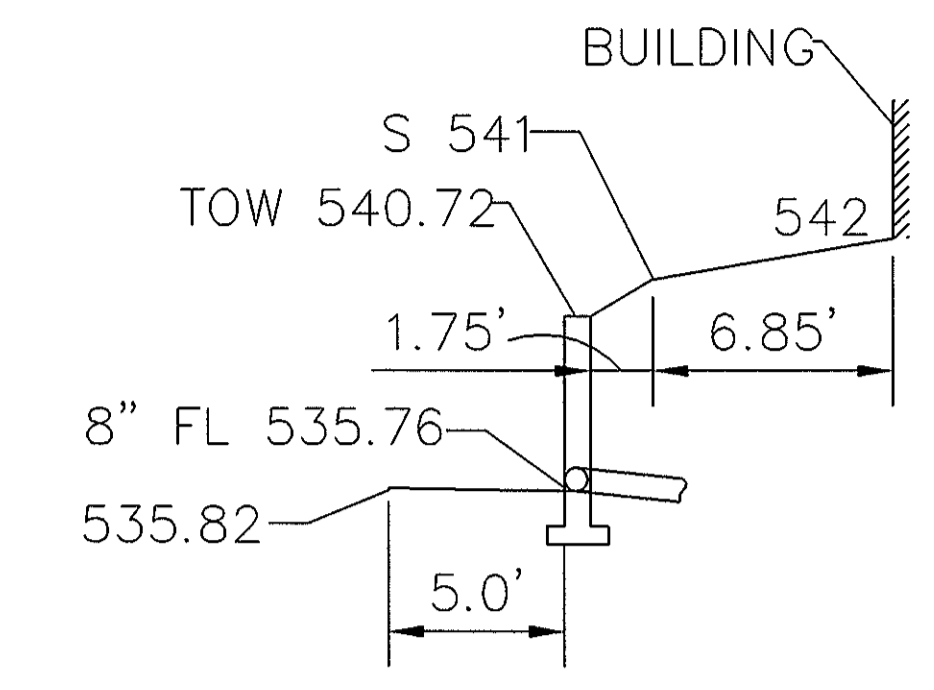


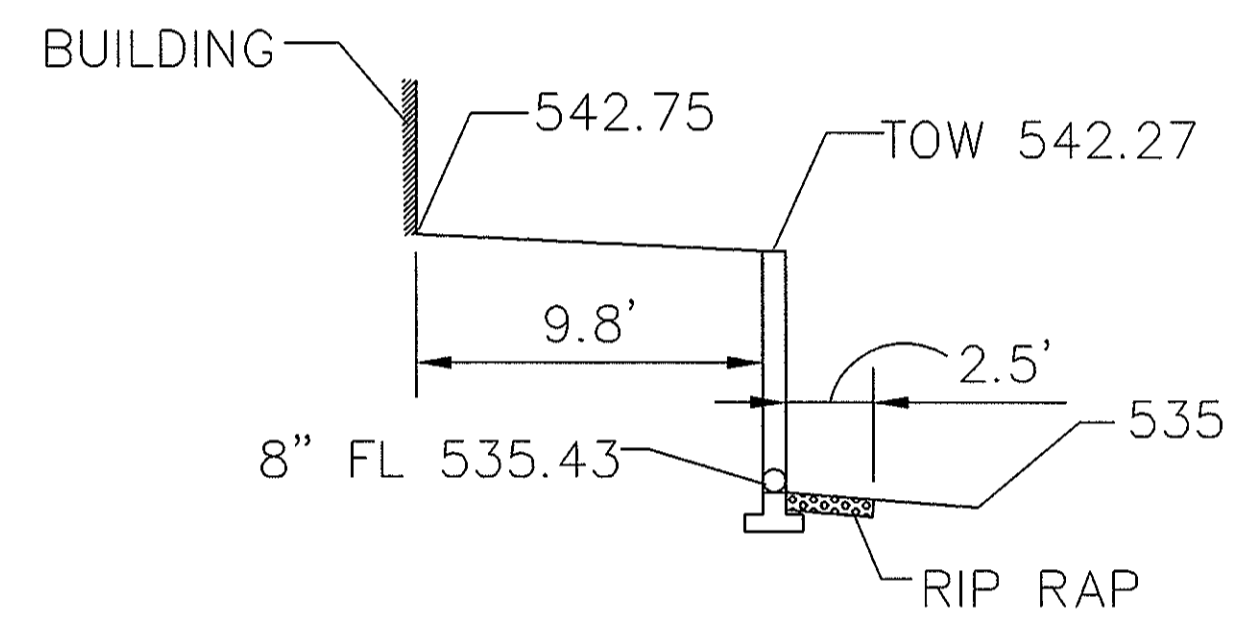
DETAIL-A  
N.T.S.



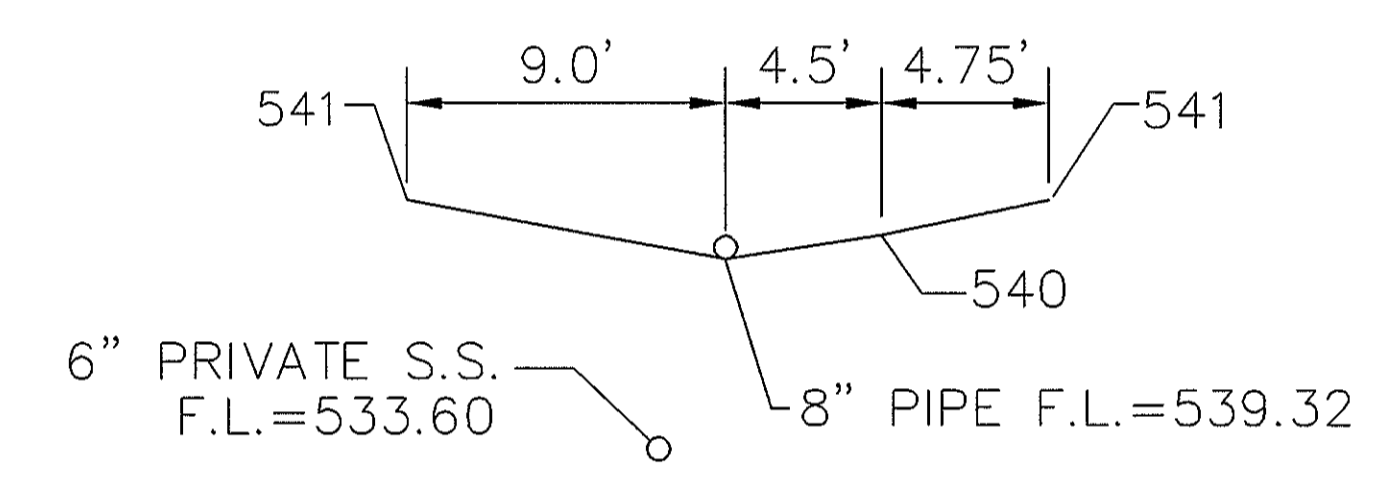
DETAIL-B  
N.T.S.



DETAIL-C  
N.T.S.



DETAIL-D  
N.T.S.



DETAIL-E  
N.T.S.



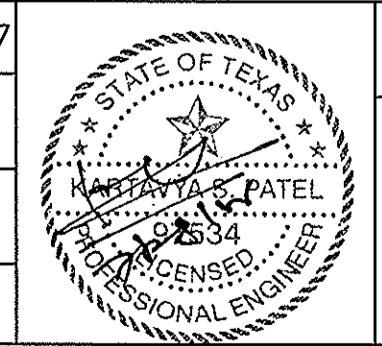
No.	DATE	REVISION / DESCRIPTION	BY	No.	DATE	REVISION / DESCRIPTION	BY

**THE DIMENSION GROUP**  
 CIVIL ENGINEERING • LAND DEVELOPMENT • PLANNING • ARCHITECTURE • CONSTRUCTION MANAGEMENT  
 10755 SANDHILL ROAD, DALLAS, TEXAS 75238 TEL: 214-343-9400 FAX: 214-341-9060

PROJECT INFO.  
 7-ELEVEN  
 N.E.C. OF N. GOLIAD STREET  
 & FM 552  
 ROCKWALL, TEXAS

DRAWING INFO.  
 AS-BUILT  
 MISCELLANEOUS  
 CROSS-SECTIONS

PROJECT No. 06127  
 DATE: 05/18/07  
 DRAWN BY: CS  
 CHECKED BY: RA



SHEET NUMBER  
 C4.4

7-ELEVEN-NE.C. OF N. GOLIAD STREET (SH 205) & FM 552, ROCKWALL, TEXAS