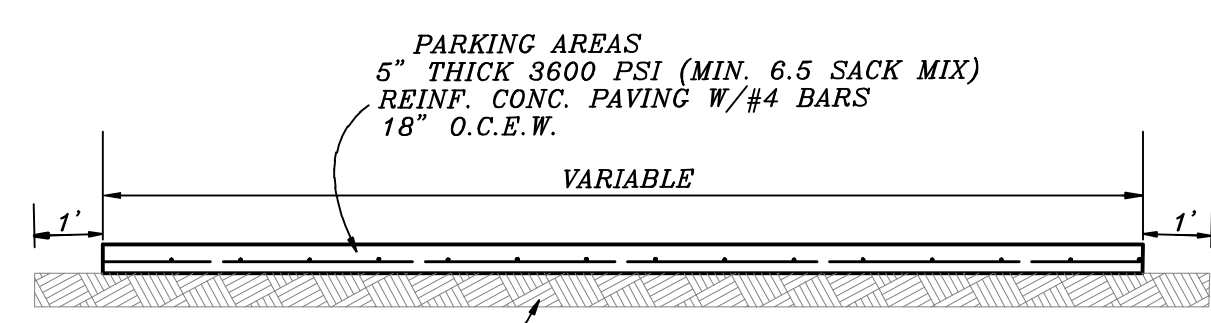
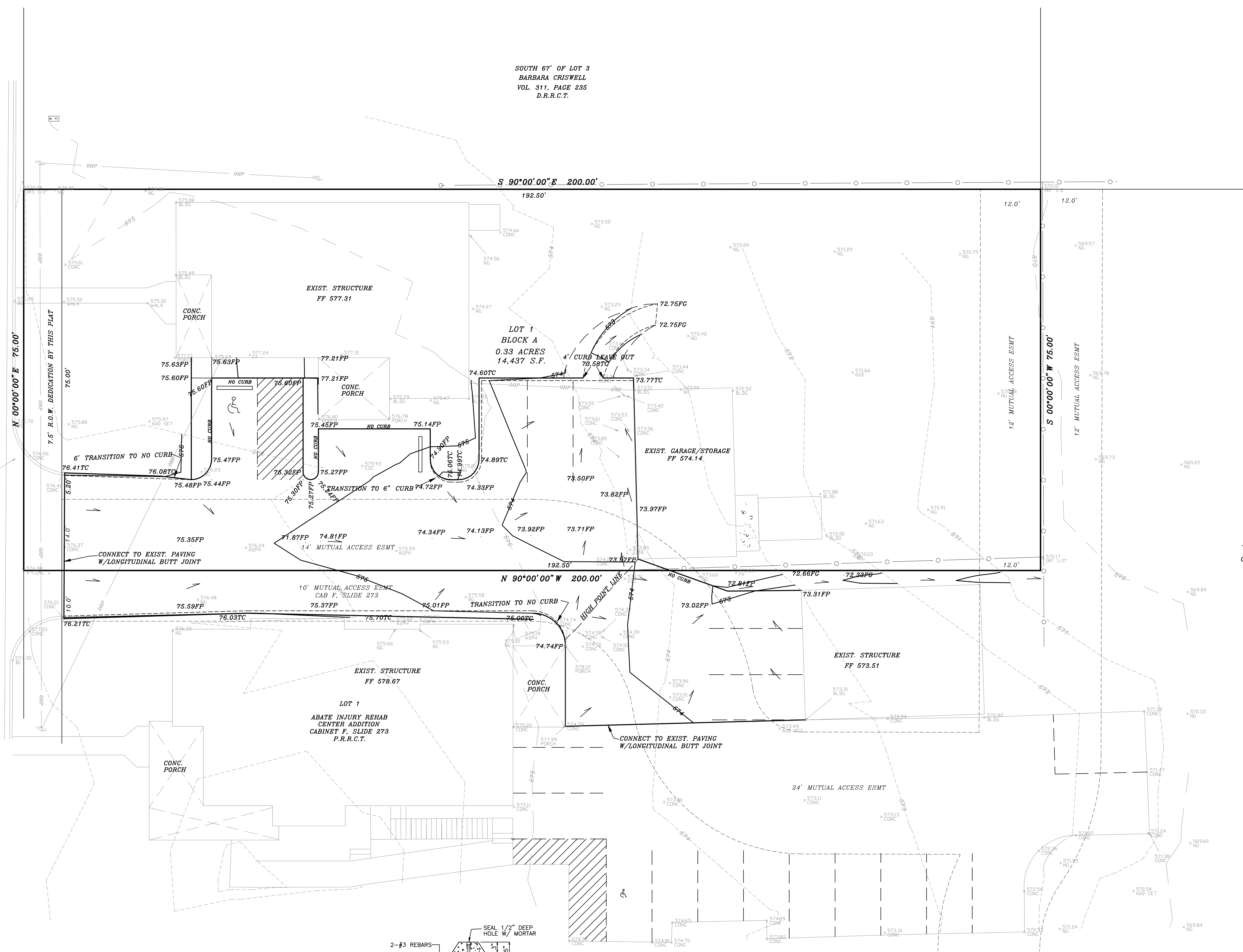
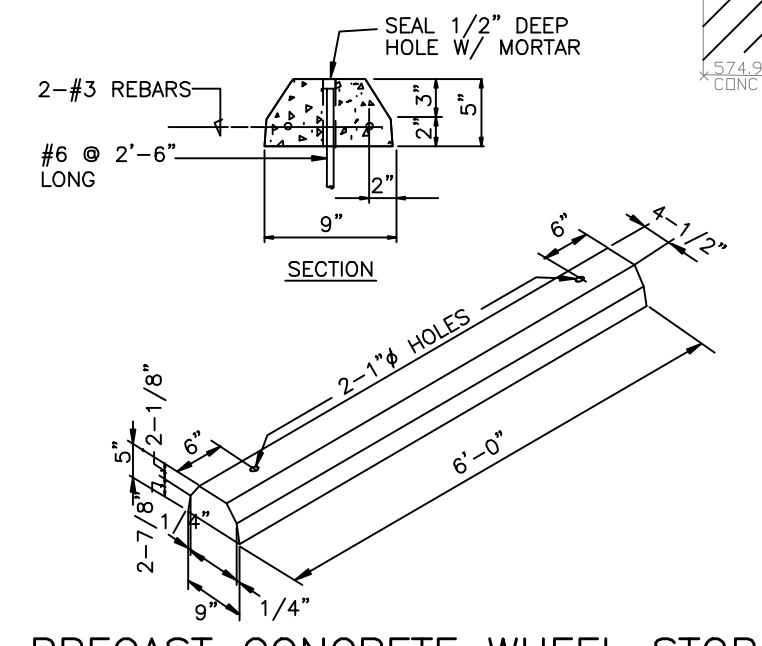


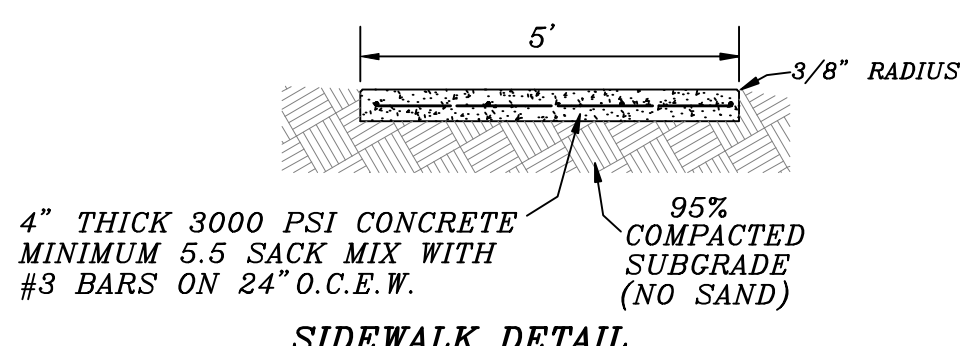
N. COLLAD STREET
S.H. 205
EXISTING 50' R.O.W.



TYPICAL PAVING DETAIL
N.T.S.



PRECAST CONCRETE WHEEL STOP
N.T.S.



SIDEWALK DETAIL
N.T.S.

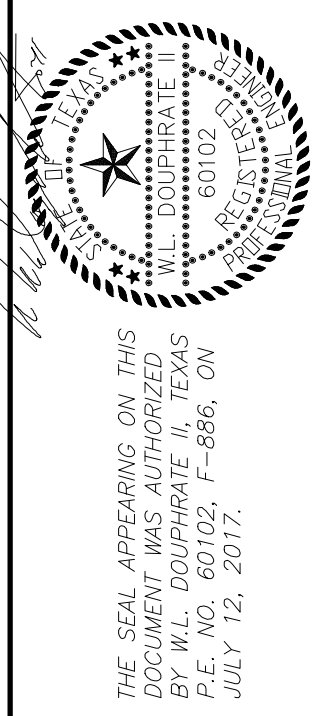
LEGEND

76.75FF	FINISHED FLOOR
76.00FP	PROP. FINISHED PAVING GRADE
76.00FC	PROP. FINISHED GROUND GRADE
76.00TC	PROP. FINISHED TOP CURB GRADE
WATER FLOW DIRECTION	
576.60	EXISTING GROUND ELEVATION
569.29	EXISTING PAVING ELEVATION

SOUTH 67' OF LOT 3
BARBARA CRISWELL
VOL. 311, PAGE 235
D.R.R.C.T.

LOT 1
BLOCK A
0.33 ACRES
14,437 S.F.

LOT 1
ABATE INJURY REHAB
CENTER ADDITION
CABINET F. SLIDE 273
P.R.R.C.T.



DOUPHRA
& ASSOCIATES, INC.
ENGINEERING • PROJECT MANAGEMENT • SURVEYING
2235 RIDGE RD., # 200 ROCKWALL, TEXAS 75087
PHONE: (972)771-9004 FAX: (972)771-9005

GRADING PLAN
ROCKWALL GRACE MEDICAL CLINIC
602 N. COLLAD
CITY ROCKWALL
ROCKWALL COUNTY, TEXAS

REVISION	
CHECKED	W.L.D.
DRAWN	GC.W.
SCALE	1" = 10'H 1" = V
DATE	JULY, 2017
PROJECT	17004
	50