

PRE-PAVING DRAINAGE TABLE

LOT AREAS THROUGH WEIR 1,2,3	ACRES	T.C. (MIN.)	C	I 100 YR.	Q 100 YR.	SUM Q 100 YR.	COMMENTS
	0.24	10	0.5	9.8	1.18	1.18	

POST-PAVING DRAINAGE TABLE

DRAINAGE AREA NO.	ACRES	T.C. (MIN.)	C	I 100 YR.	Q 100 YR.	SUM Q 100 YR.	COMMENTS
1	0.18	10	0.9	9.8	1.59	1.59	
2	0.02	10	0.9	9.8	0.18	1.77	PASS THROUGH
3	0.04	10	0.9	9.8	0.35	2.12	PASS THROUGH
4	0.03	10	0.9	9.8	0.26	2.38	NO CHANGE
5	0.07	10	0.9	9.8	0.62	3.00	NO CHANGE
6	0.02	10	0.9	9.8	0.18	3.18	BYPASS

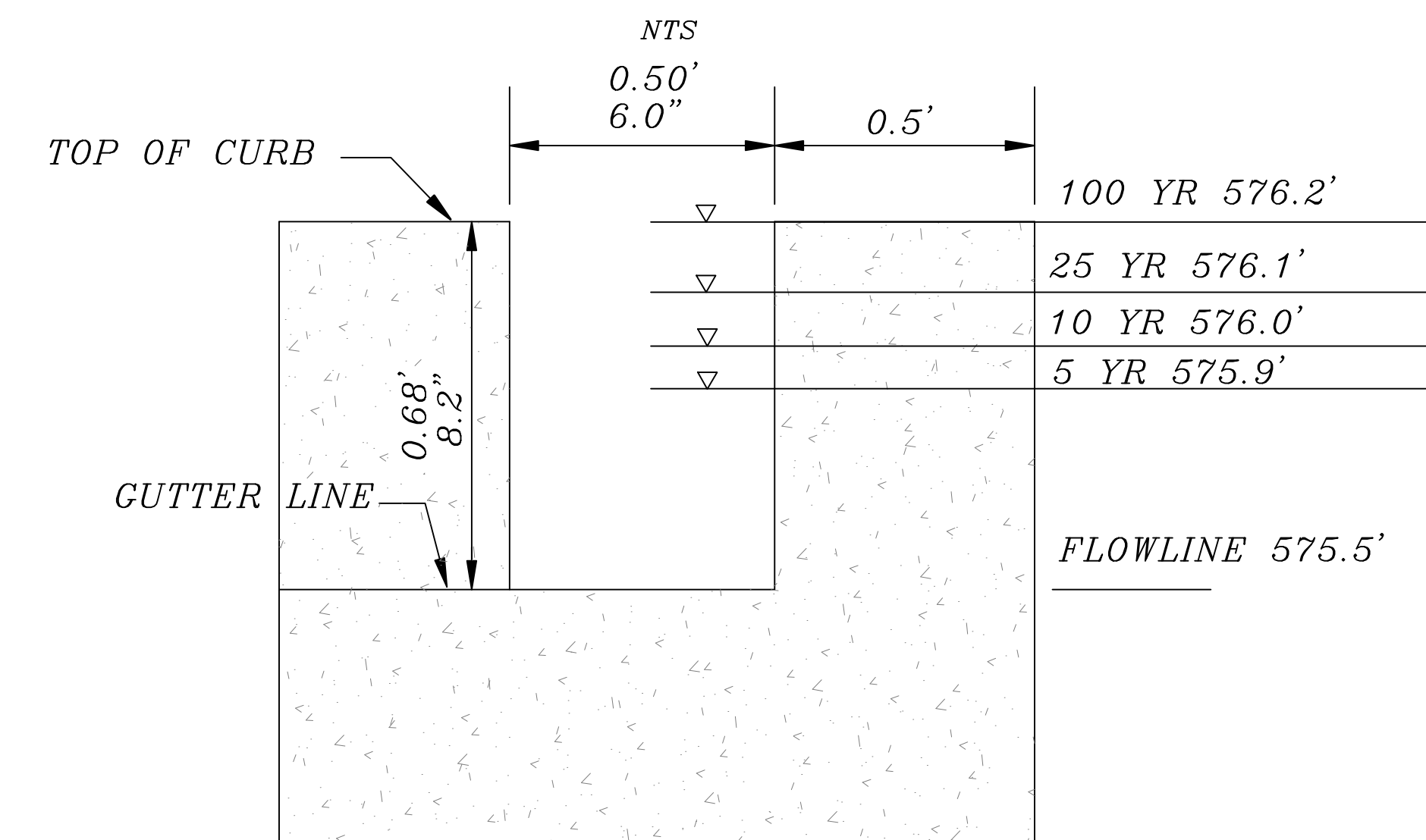
PRE- CONSTRUCTION CONDITIONS TOTAL ALLOWABLE RELEASE RATE Q= 1.57 CFS  
 Q= .32 ACRES (TOTAL) X 0.5 X 9.8 = 1.57 CFS

REVISED TO CONFORM TO CONSTRUCTION RECORDS.

*[Signature]*

DATE: 7-8-20

WEIR DETAIL



DETENTION REQUIRED - 795 cf  
 DETENTION PROVIDED - 837 cf

STORAGE VOLUME STAGE

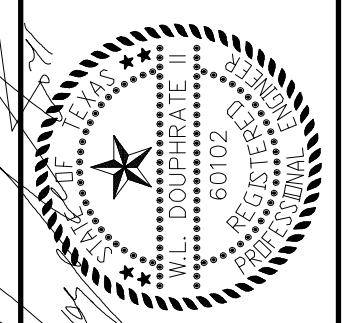
STORM	d	ELEVATION	VOLUME	Qallowable	Qactual
5 YR	0.40	575.9 ft	394.8 cf	.43 cfs	.43 cfs
10 YR	0.50	576.0 ft	461.2 cf	.50 cfs	.50 cfs
25 YR	0.60	576.1 ft	560.3 cf	.57 cfs	.57 cfs
100 YR	0.70	576.2 ft	541.7 cf	.69 cfs	.68 cfs

WEIR CALCULATIONS

Rectangular Suppressed Weir

$$Q = 3.33 h_1^{3/2} (L - .2h_1)$$

Q = Exist. Conditions Flowrate Allowed = cfs  
 h<sub>1</sub> = Height of Weir = 8.2 in. = 0.68 ft.  
 L = Length of Weir  
 0.69 = 3.33 (.68)<sup>1.5</sup> (L - .2(.68))  
 L = 0.5 ft. = 6 in.



DOUPHRADE & ASSOCIATES, INC.  
 ENGINEERING • PROJECT MANAGEMENT • SURVEYING  
 22335 RIDGE RD., # 200 ROCKWALL, TEXAS 75087  
 PHONE: (972)771-9004 FAX: (972)771-9005

DRAINAGE AREA MAP  
 4035 N. COLLIAD STREET  
 CITY ROCKWALL  
 ROCKWALL COUNTY, TEXAS

REVISION  
 W.L.D.  
 CHECKED  
 G.C.W.  
 DRAWN  
 SCALE  
 1" = 30'H  
 DATE  
 JULY 12, 2019  
 PROJECT  
 19013  
 10