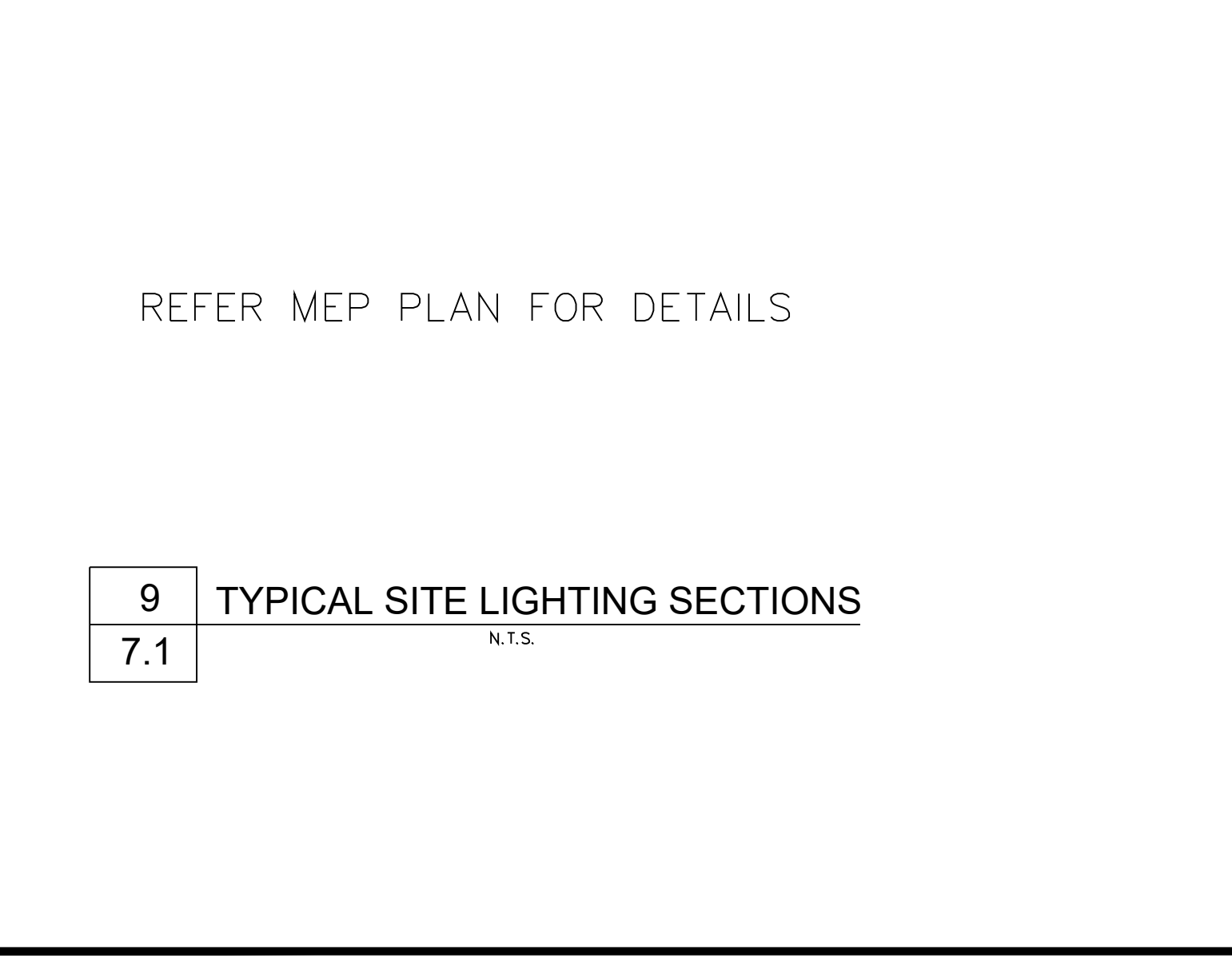
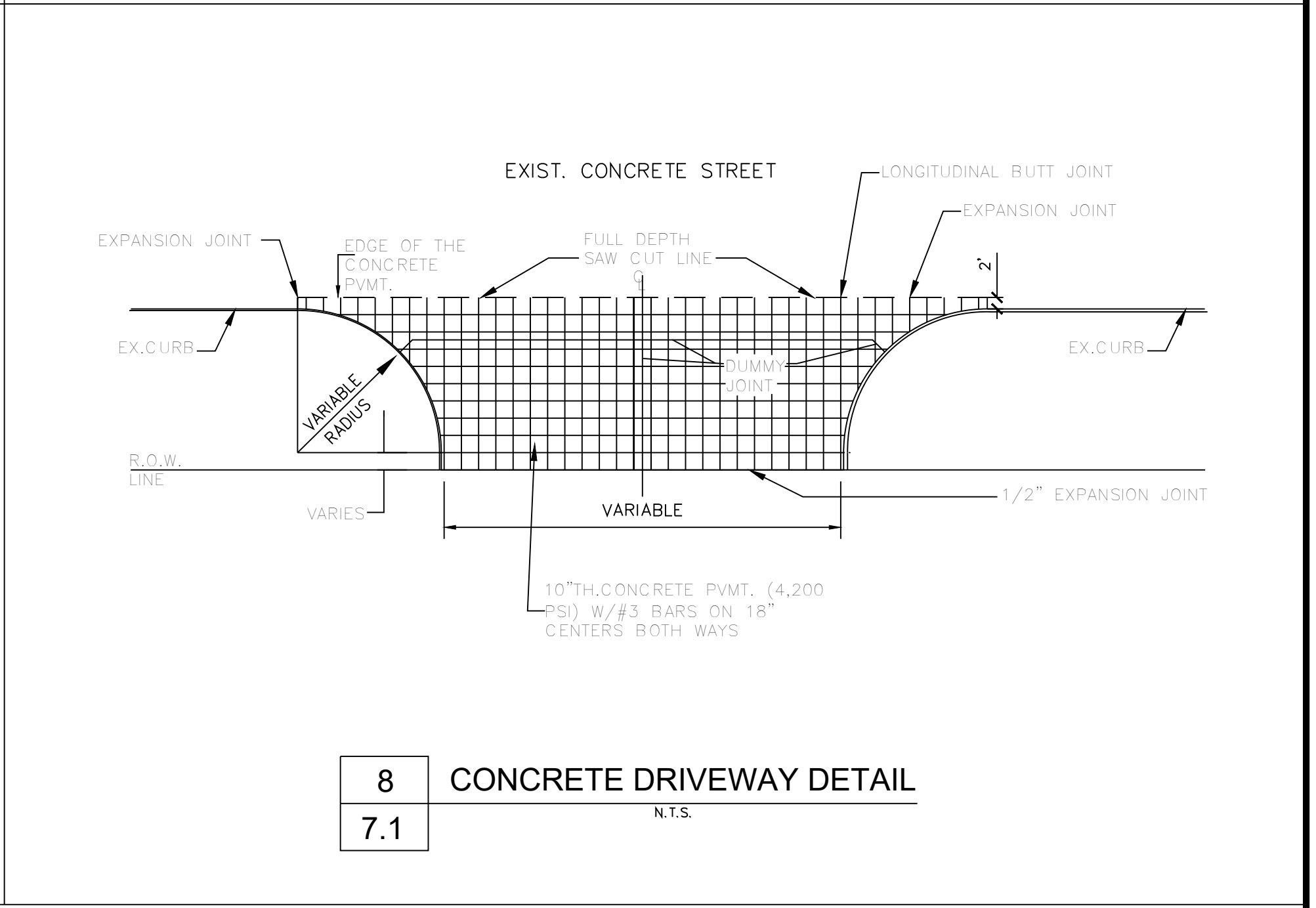
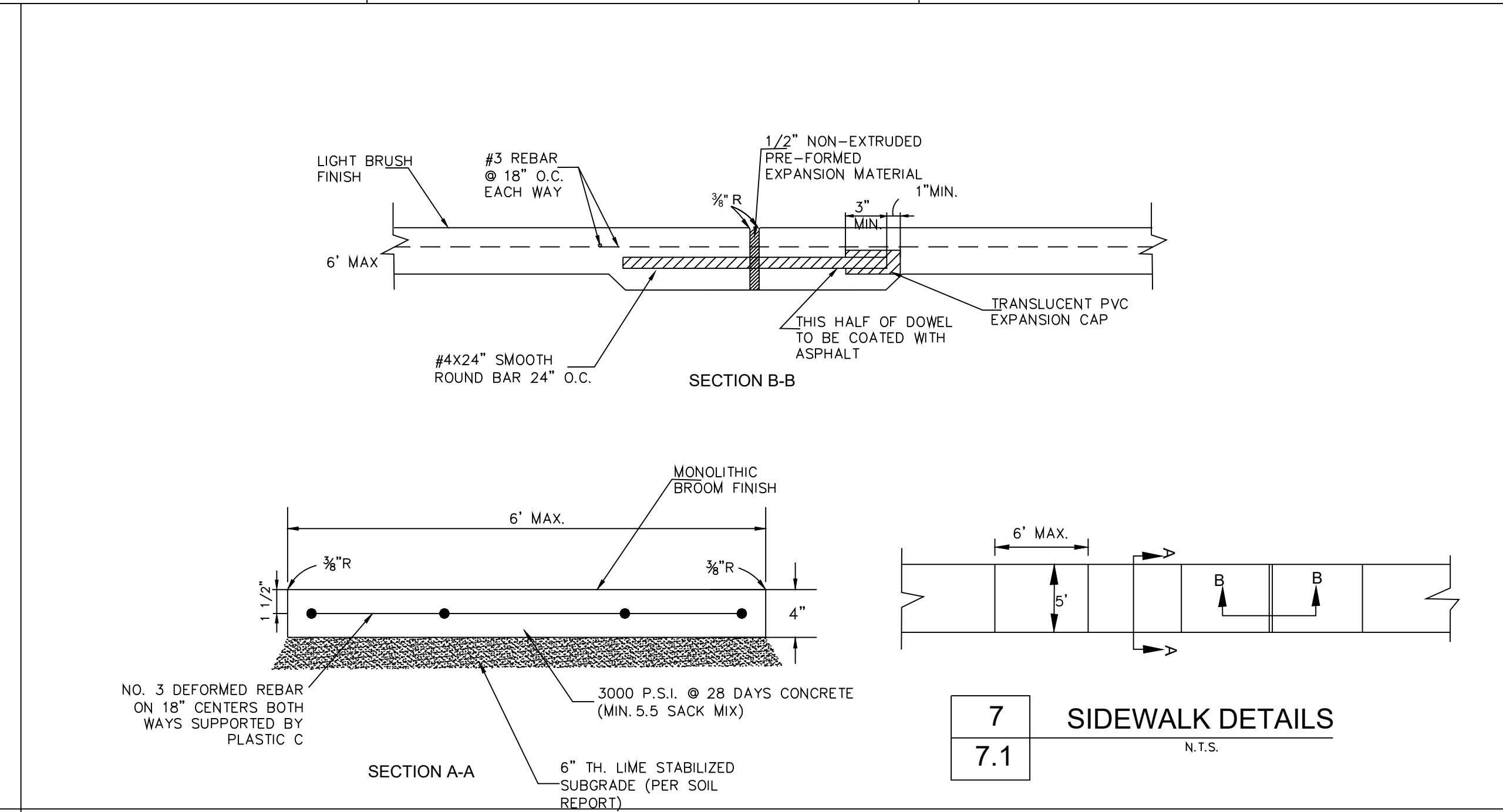
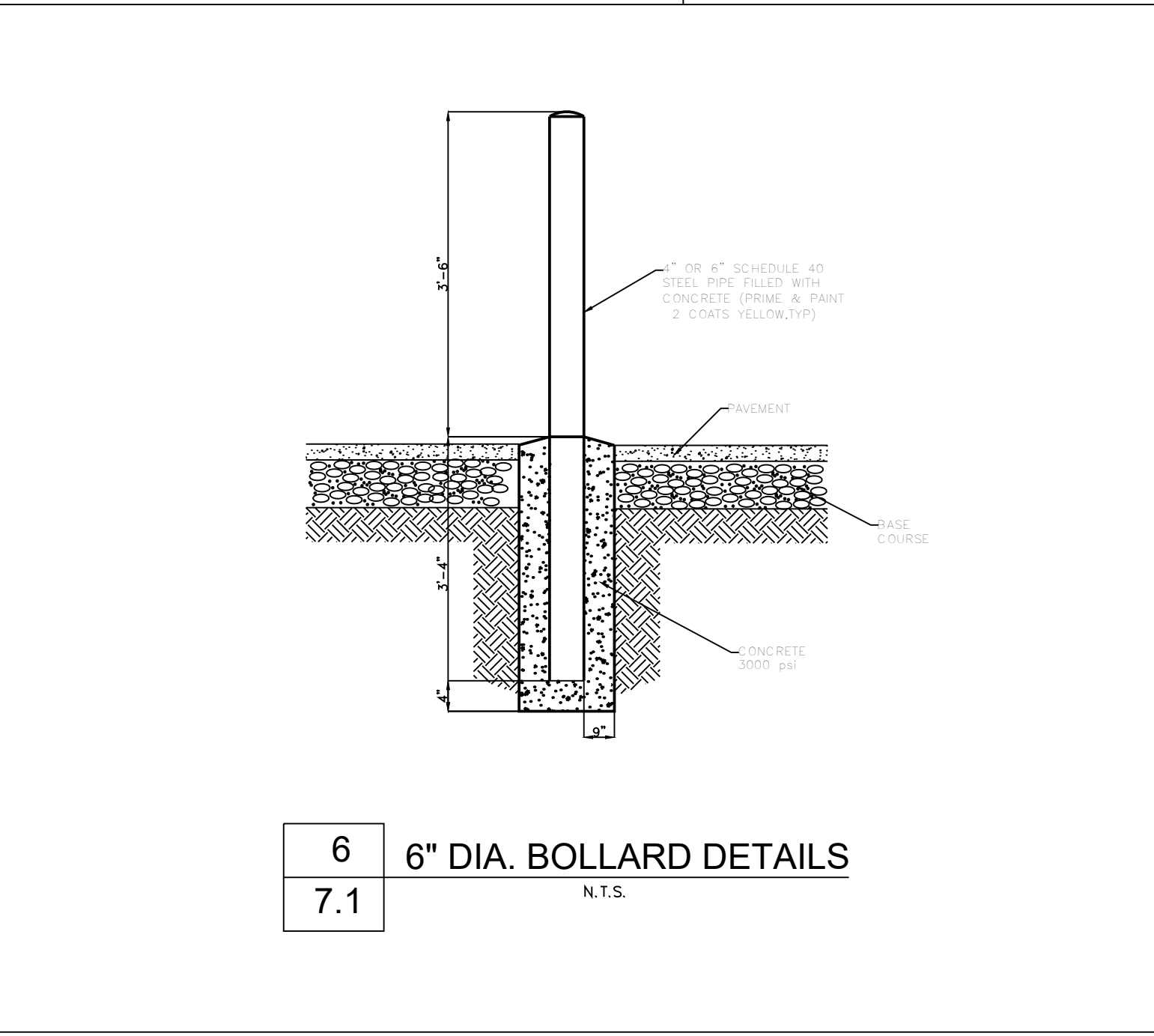
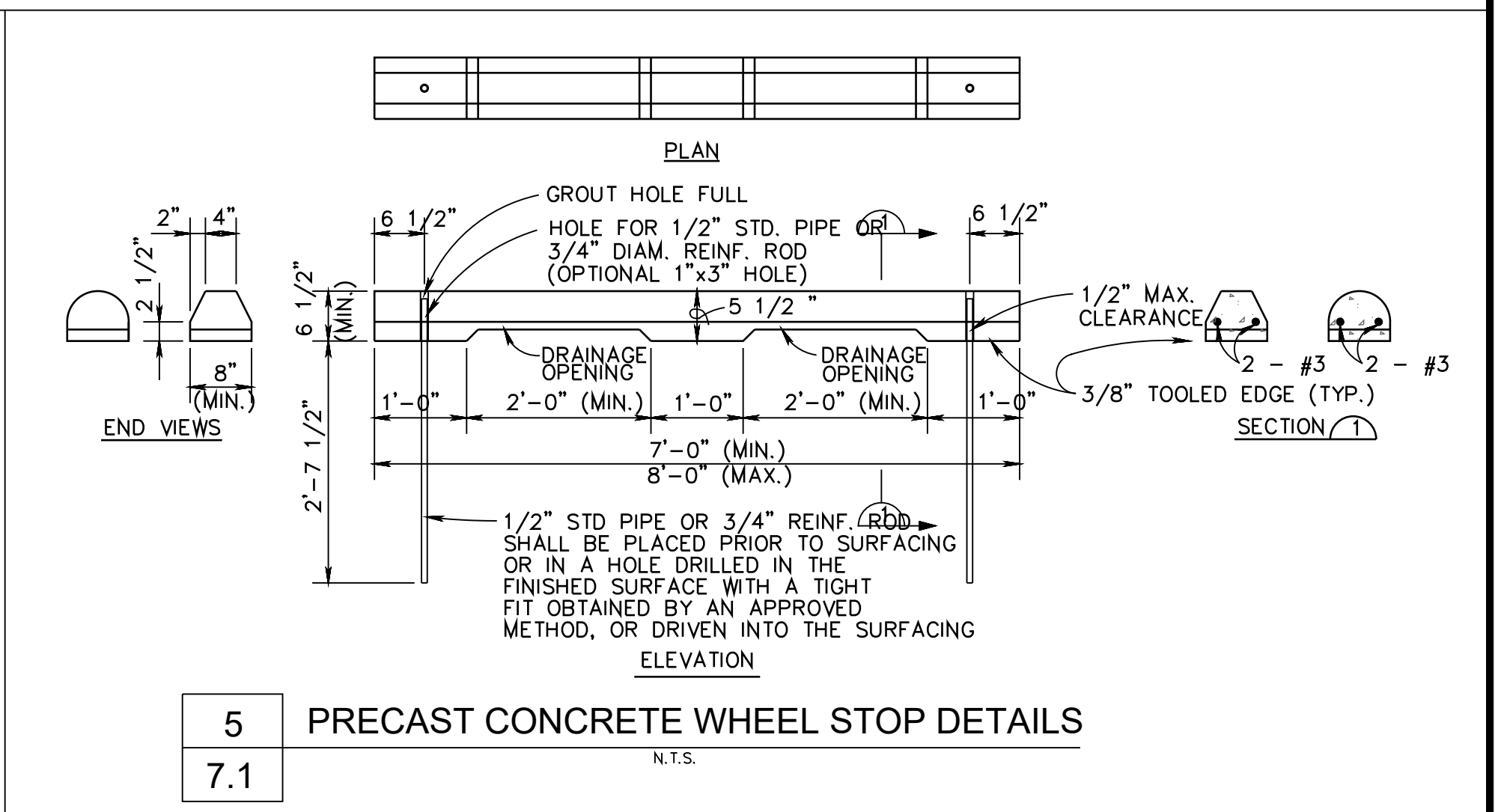
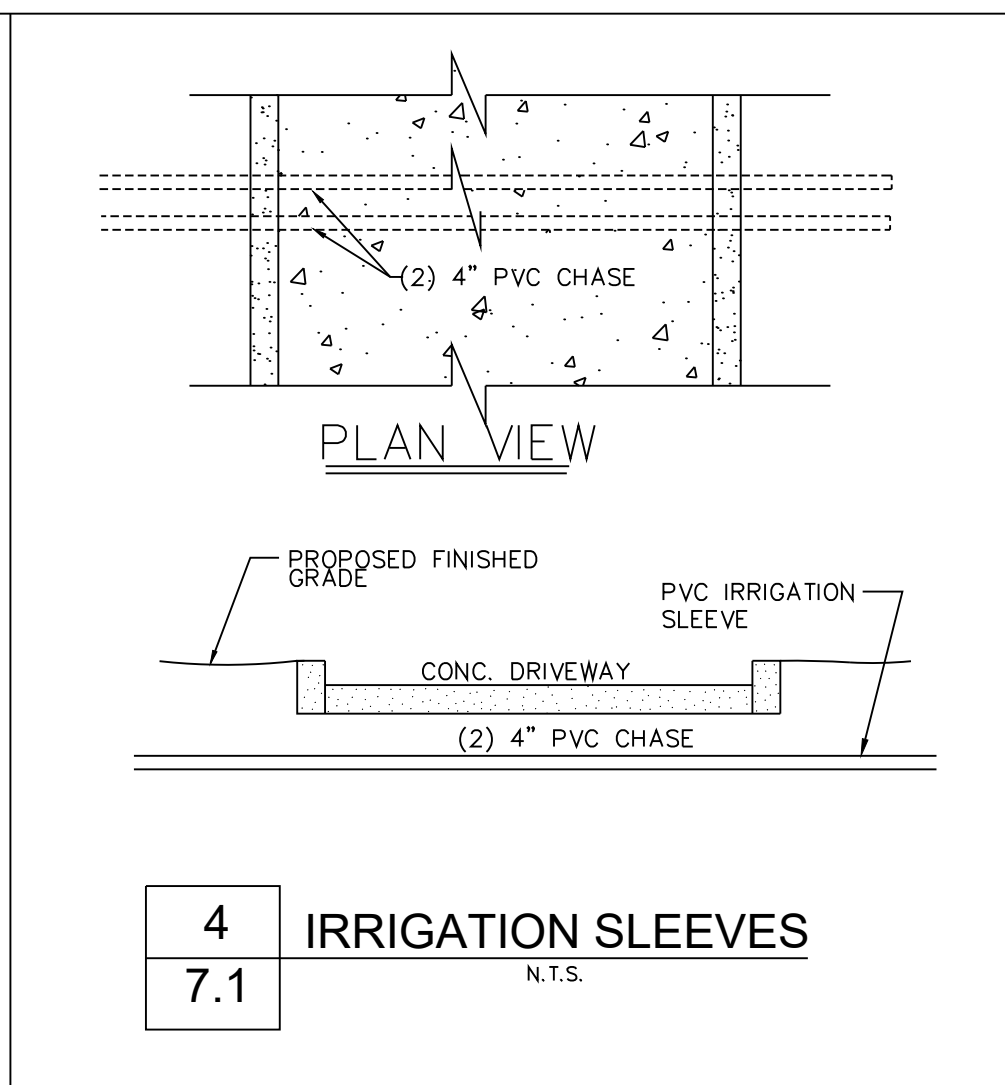
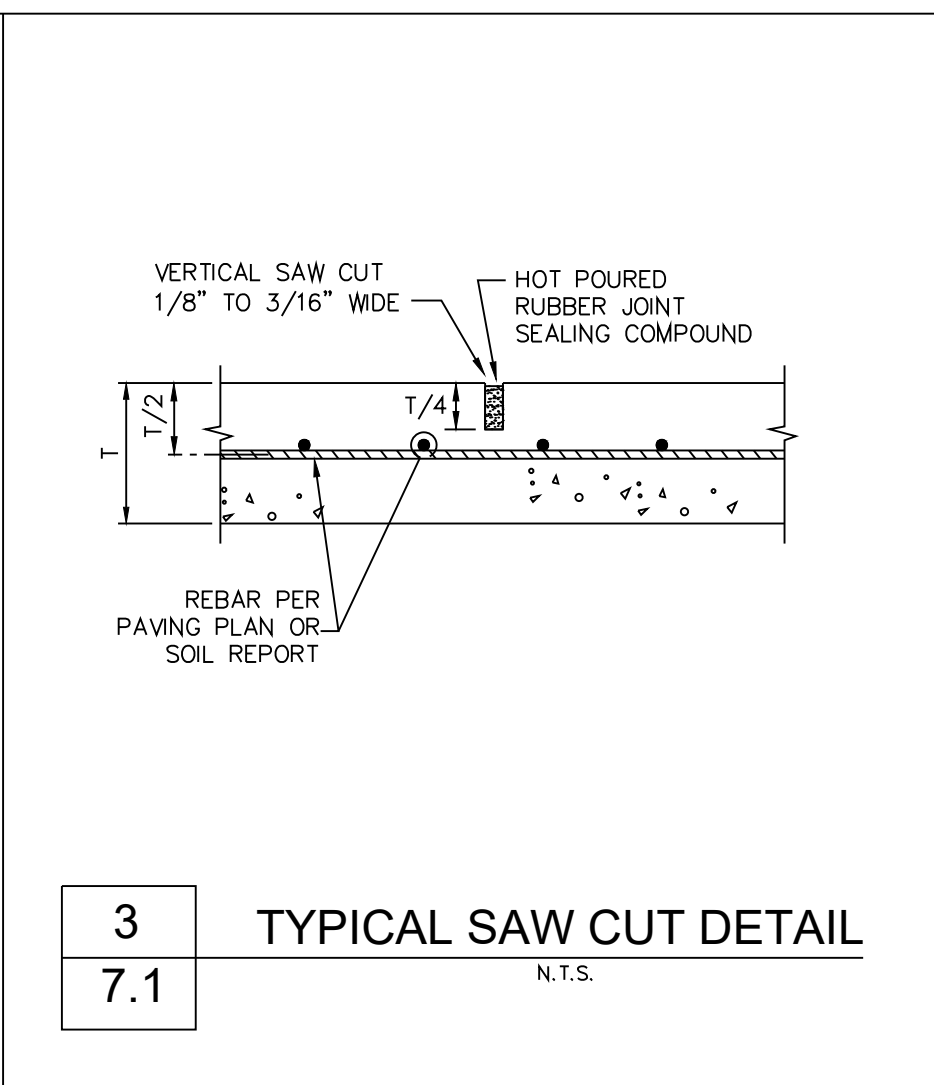
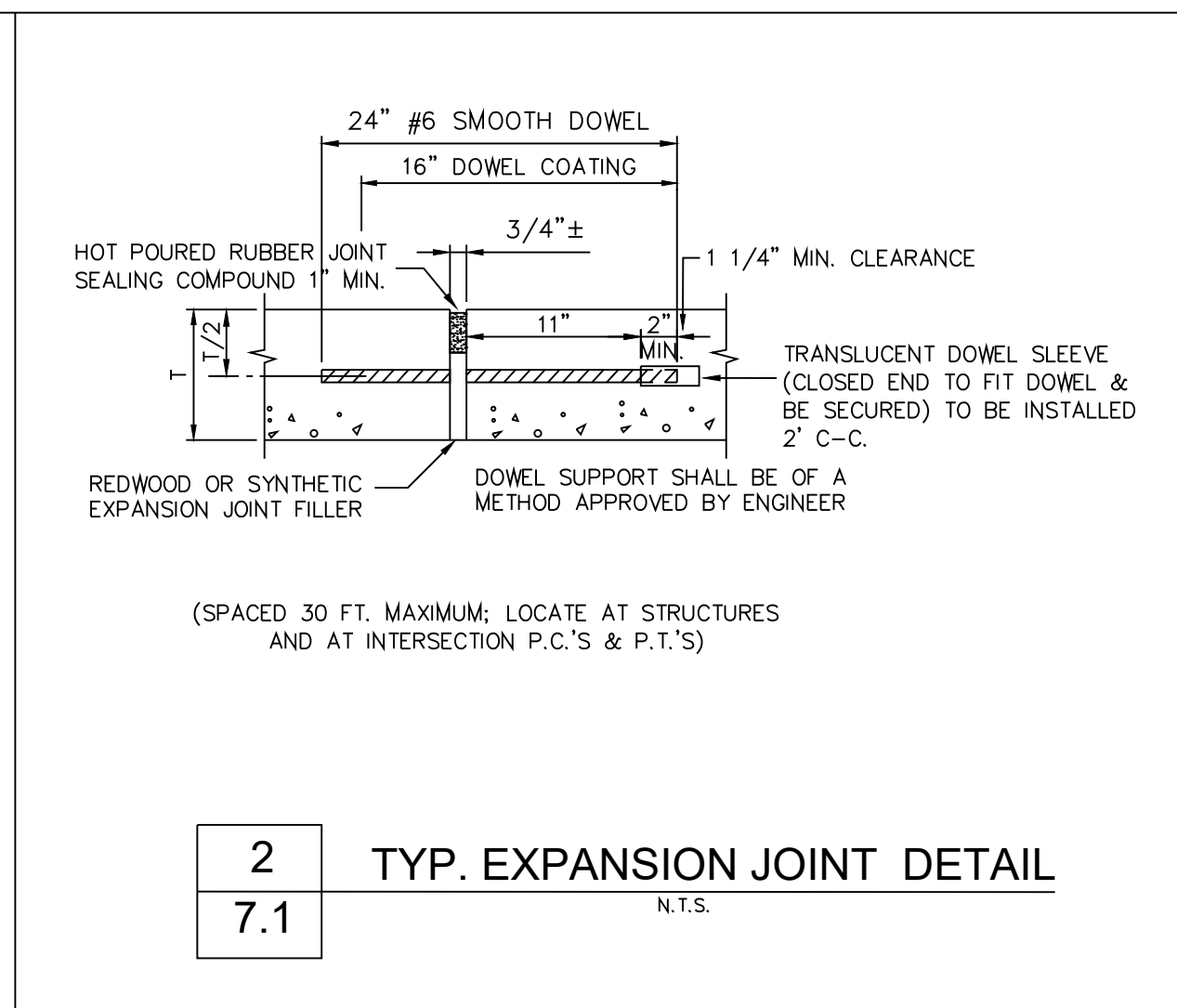
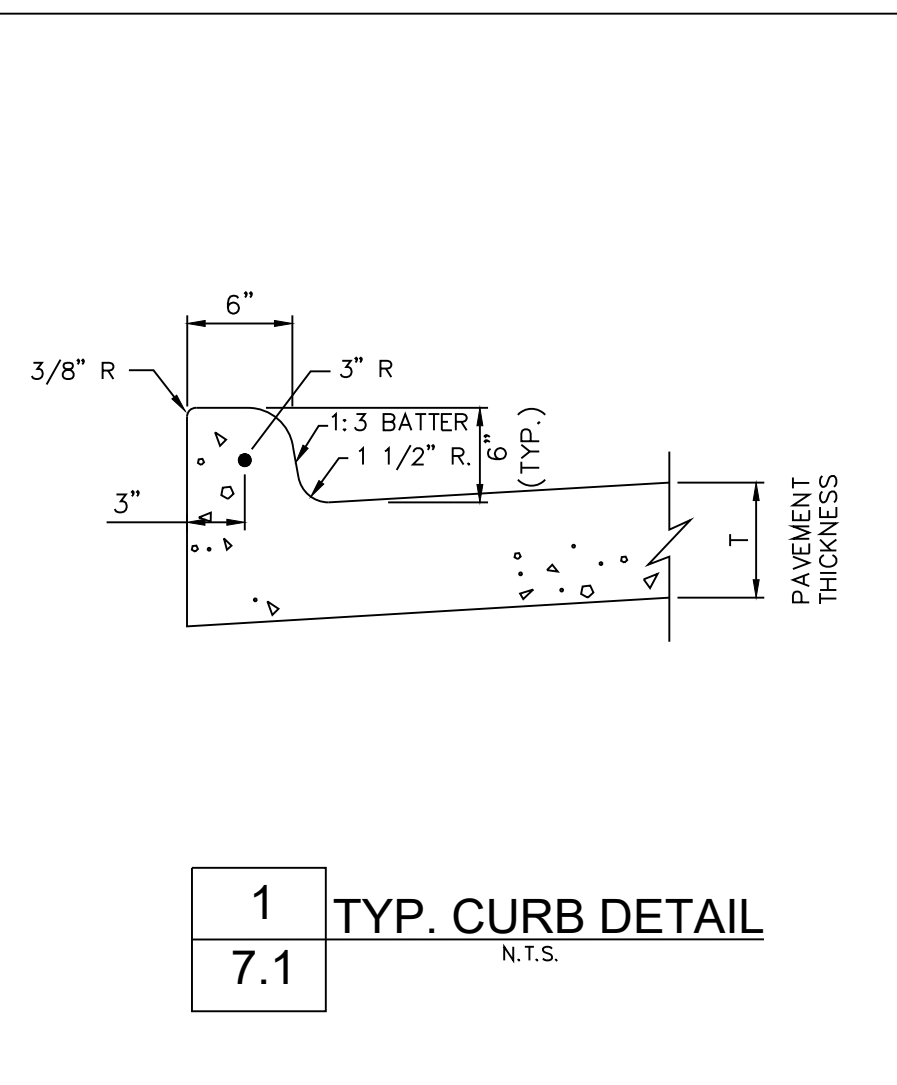


OFFICE BUILDING SITE DEVELOPMENT

1.082 ACRES OF LAND BEING LOT 6, BLOCK A OF TEMUNOVIC ADDITION, AN ADDITION TO THE CITY OF ROCKWALL, ROCKWALL COUNTY, TEXAS

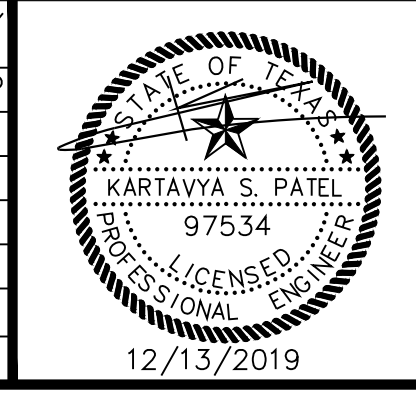


REFER MEP PLAN FOR DETAILS

AS-BUILT DRAWINGS:
TO THE BEST OF OUR KNOWLEDGE TRIANGLE ENGINEERING LLC., HEREBY STATES THAT THIS PLAN IS AS-BUILT. THE INFORMATION PROVIDED IS BASED ON SURVEYING AT THE SITE AND INFORMATION PROVIDED BY THE CONTRACTOR.

KARTAVYA S. PATEL, P.E. NO. 97534

| NO. | DATE | DESCRIPTION | BY |
|-----|------------|-------------------------|----|
| 1 | 12/13/2019 | AS-BUILT RECORD DRAWING | KP |
| | | | |
| | | | |
| | | | |



RECORD DRAWING

CASE # SP2017-023
PAVING DETAILS
OFFICE BUILDING
1306 SUMMER LEE DRIVE
CITY OF ROCKWALL
ROCKWALL COUNTY, TEXAS

TRIANGLE ENGINEERING LLC

T: 214.609.9271 | F: 469.359.6709 | E: kpatel@triangle-engr.com
W: triangle-engr.com | O: 1784 W. McDermott Drive, Suite 110, Allen, TX 75013

Planning | Civil Engineering | Construction Management

| DESIGN/DRAWN | DATE | SCALE | PROJECT NO. | SHEET NO. |
|--------------|------|----------|---------------|-----------|
| KP | DS | 07/04/17 | SEE SCALE BAR | 018-17 |

TX PE FIRM #11525

7.1