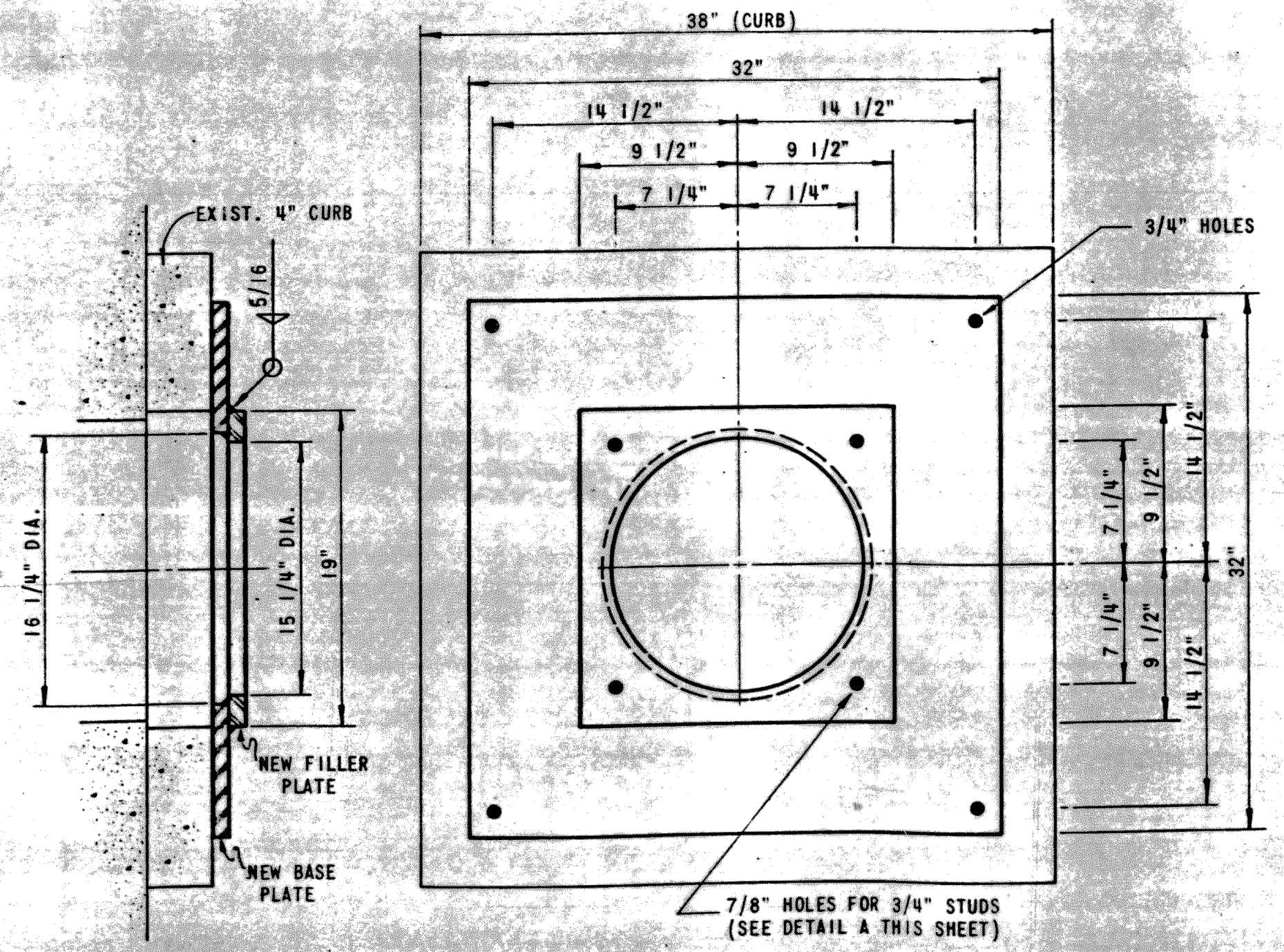
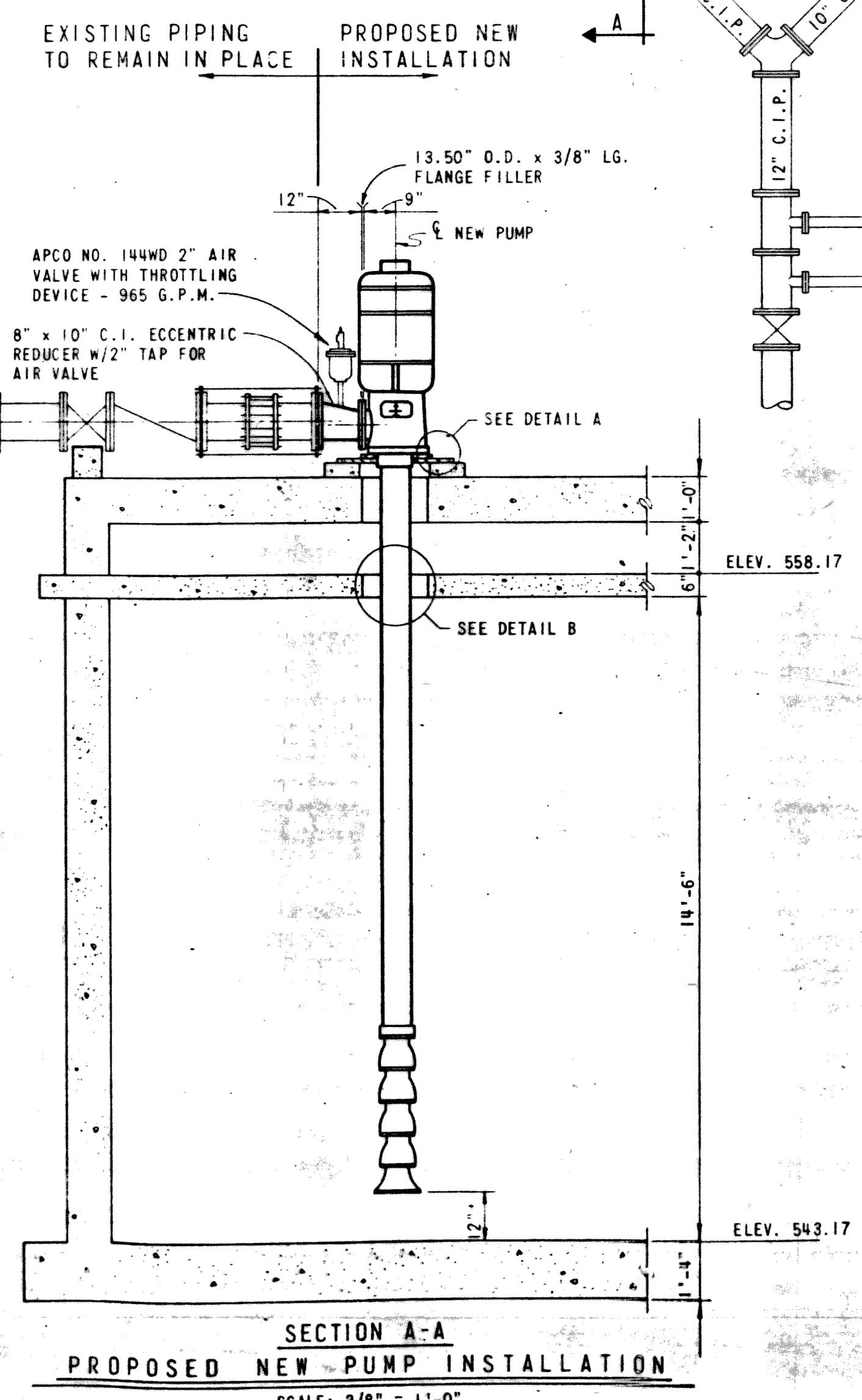


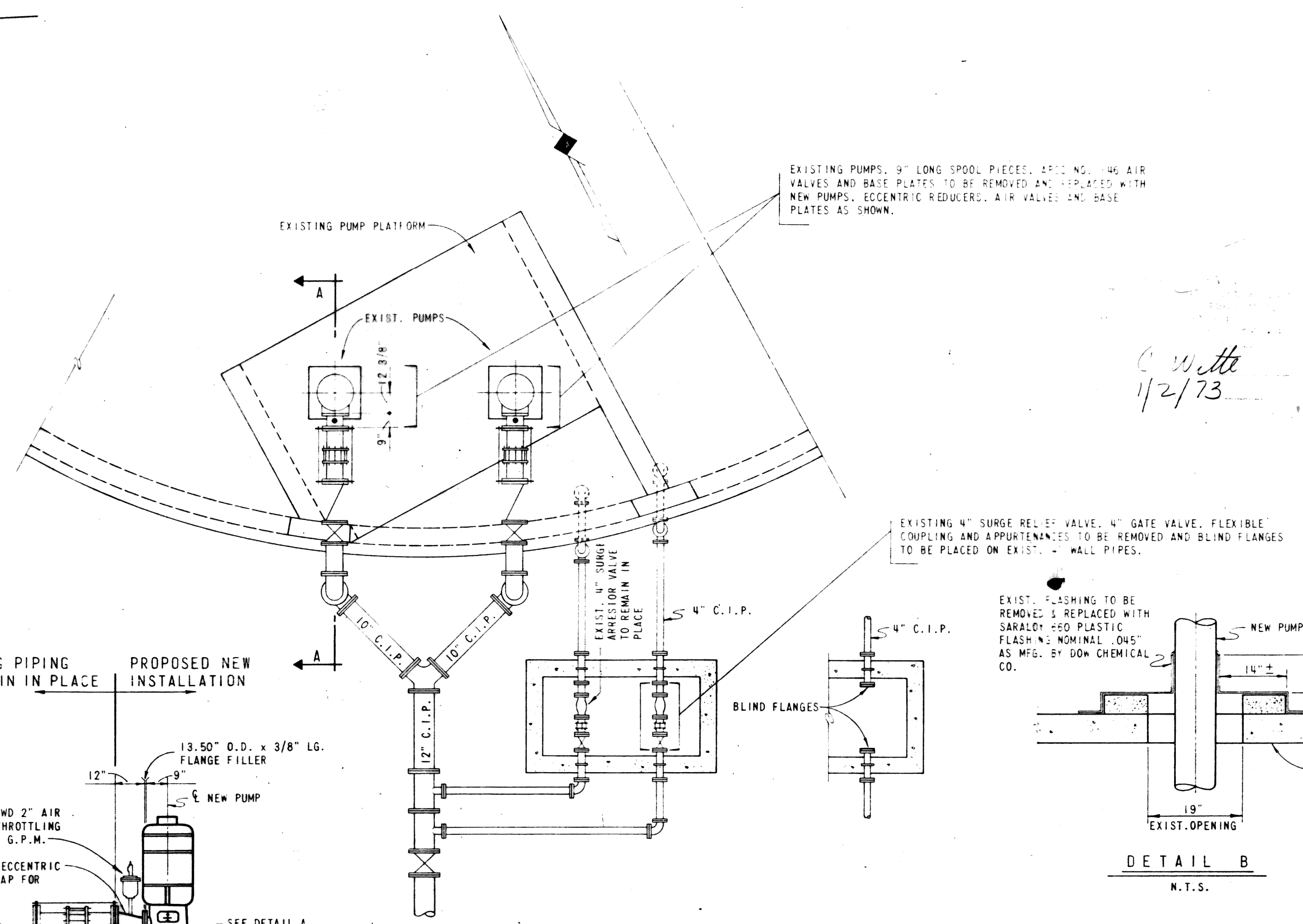
LAYOUT OF ROCKWALL RESERVOIR SITE
SCALE: 1" = 30'



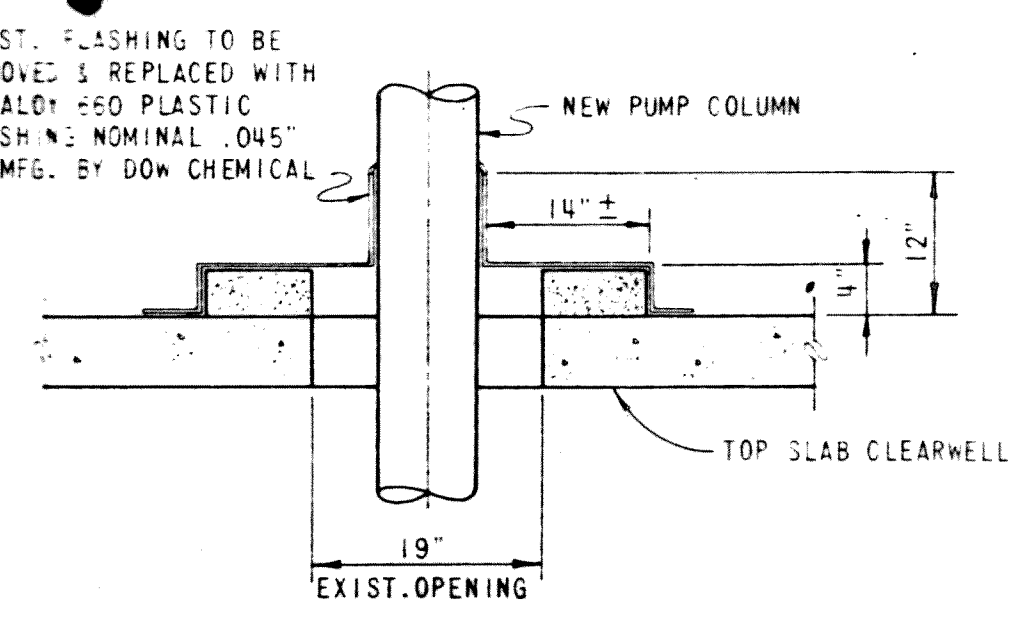
BASE PLATE DETAIL



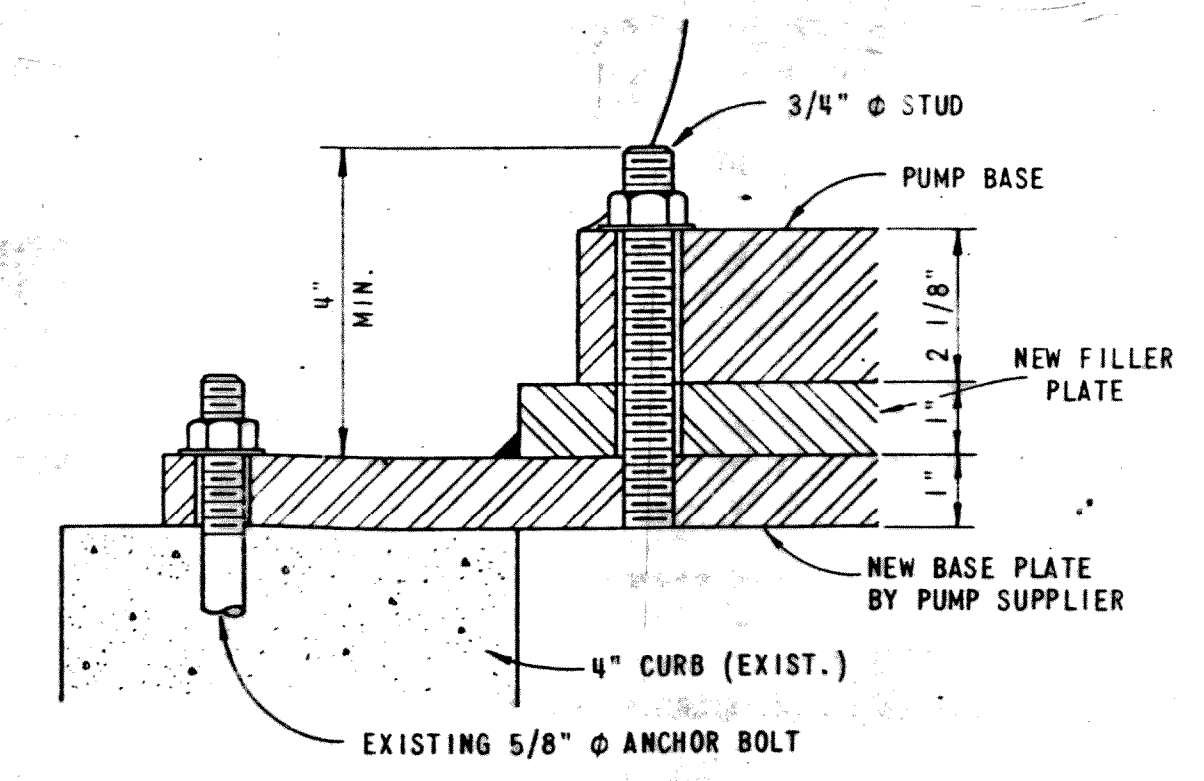
SECTION A-A
PROPOSED NEW PUMP INSTALLATION
SCALE: 3/8" = 1'-0"



C. Witte
1/2/73



DETAIL B
N.T.S.



DETAIL A
N.T.S.

- NOTES:
1. ALL REMOVED EQUIPMENT INCLUDING EXIST. PUMPS, AIR VALVES, BASE PLATES, SURGE RELIEF VALVE AND APPURTENANCES WILL BE REINSTALLED AT THE MCKINNEY SITE.
 2. CONTRACTOR WILL MAKE ALL NECESSARY MODIFICATIONS TO EXISTING 4\"/>

NORTH TEXAS MUNICIPAL WATER DISTRICT	FORREST AND COTTON, INC.	DESIGNED: F. W. OTHON	FILE NO. 488-39-30
WYLIE ROCKWALL PIPELINE	CONSULTING ENGINEERS	DRAWN: C. D. KENEY	SHEET NO.
NEW PUMP INSTALLATIONS	BALLAS, TEXAS	APPROVED: CHARLES W. WITTE	30
AT THE ROCKWALL SITE	MARCH 1971		OF SHEETS