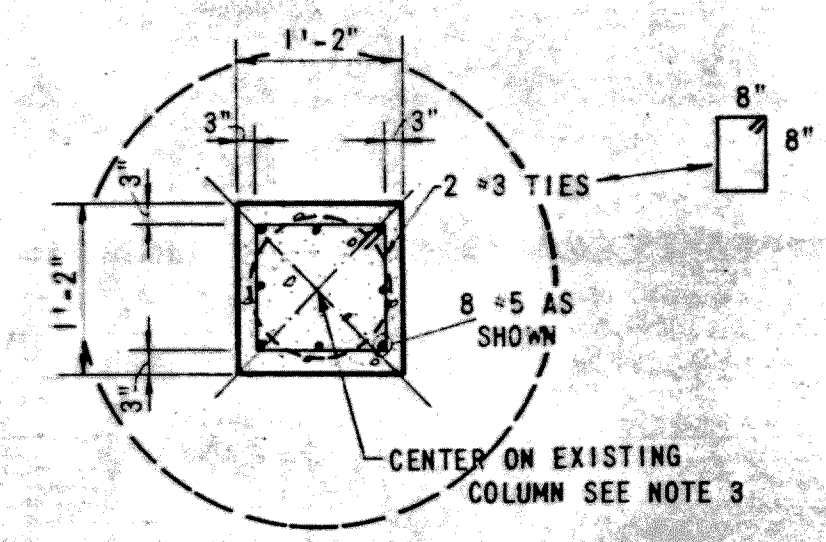
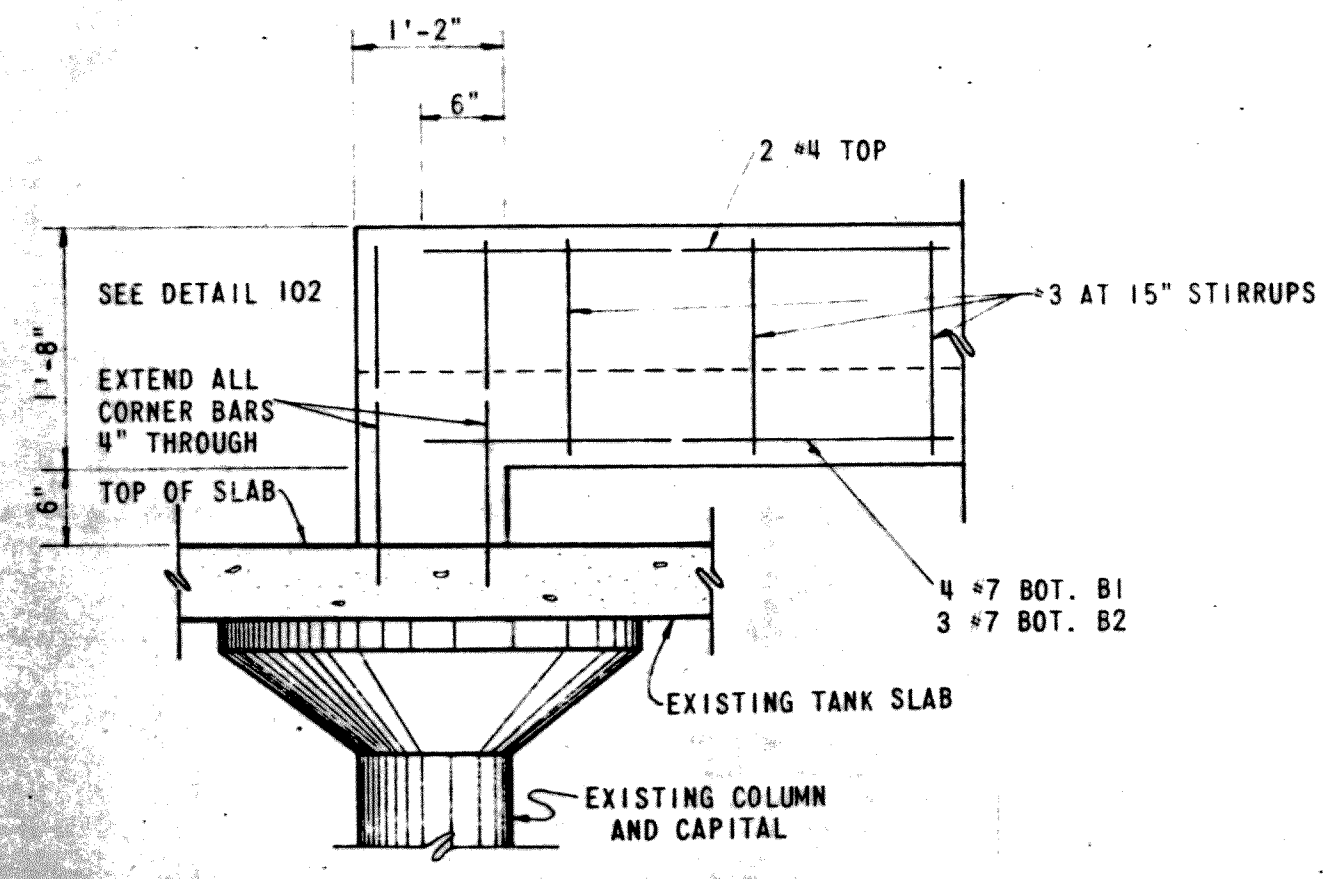
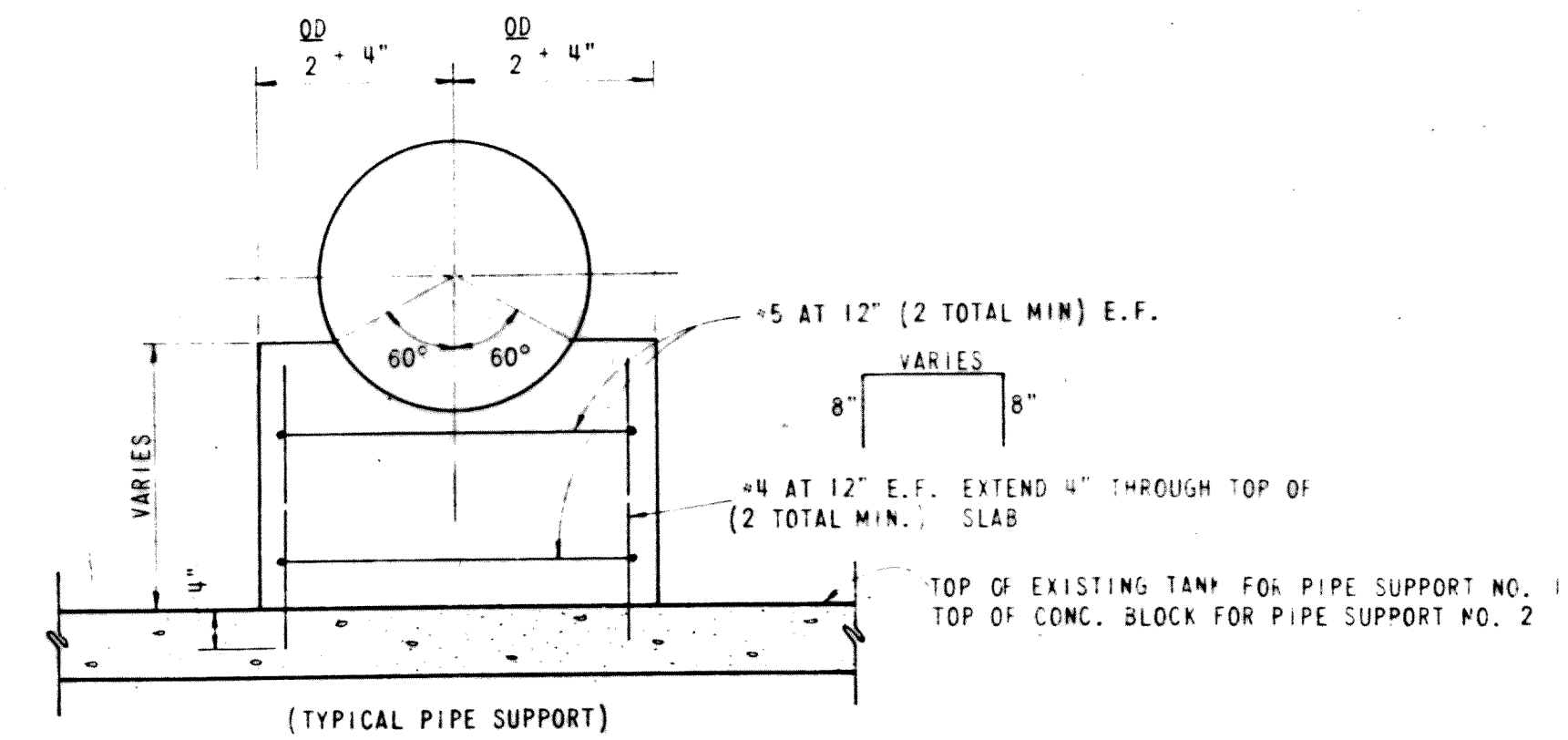
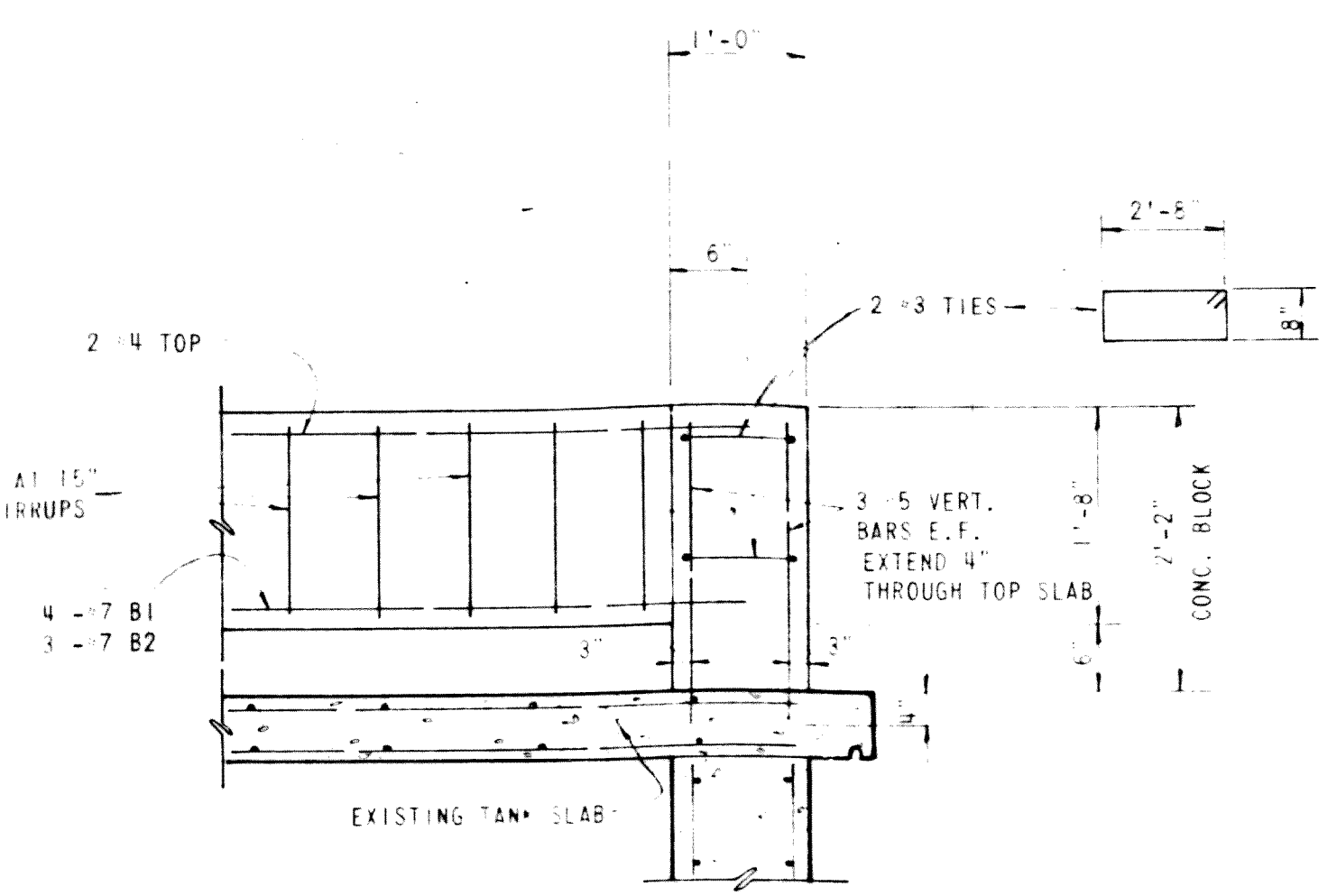
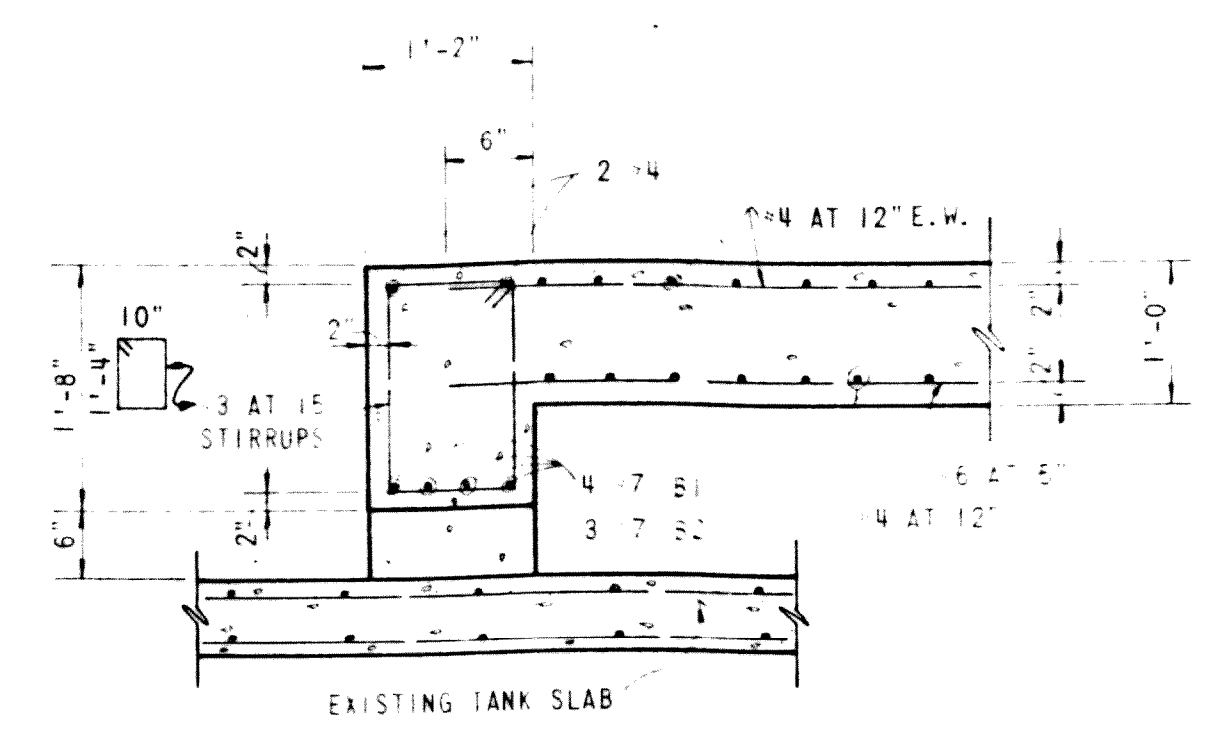


**PLAN**  
SCALE: 1/4" = 1'-0"



**PLAN**  
**DETAIL 102**  
SCALE: 3/4" = 1'-0"



- NOTE:
1. CONCRETE SHALL BE CLASS "A" MINIMUM 28-DAY COMPRESSIVE STRENGTH = 4000 PSI.
  2. STEEL REINFORCEMENT SHALL BE ASTM A 615, GRADE 60 MIN.
  3. CENTER OF CONCRETE BLOCK SHALL BE ON CENTER OF EXISTING COLUMN. CONTRACTOR TO LOCATE IN FIELD.
  4. ALL DIMENSIONS RELATING TO REINFORCING STEEL ARE TO CENTERS OF BARS.
  5. ALL BARS WHICH ARE EMBEDDED INTO EXISTING STRUCTURE SHALL BE GROUTED INTO A DRILLED HOLE WITH HIGH STRENGTH NON-SHRINK GROUT.
  6. CHAMFER ALL EXPOSED CORNERS 3/4".
  7. SIDES OF CONCRETE STRUCTURES SHALL BE RUBBED TO OBTAIN A UNIFORM UNBLEMISHED APPEARANCE. TOPS OF CONCRETE STRUCTURES SHALL BE BRUSH FINISHED.

NO.	REVISION	BY	DATE
NORTH TEXAS MUNICIPAL WATER DISTRICT WYLIE ROCKWALL PIPELINE			
<b>PUMP PLATFORM DETAILS</b>			
<b>FORREST AND COTTON, INC.</b> CONSULTING ENGINEERS DALLAS, TEXAS			
DRAWN BY <i>Milton Tapp</i>		DESIGNED BY <i>M. Janakovic</i>	
CHECKED BY <i>Alan Brown</i>		APPROVED BY <i>Ernest H. Palmer</i>	
FILE NO	DATE	SHEET	
488-39-27		27	of 29

