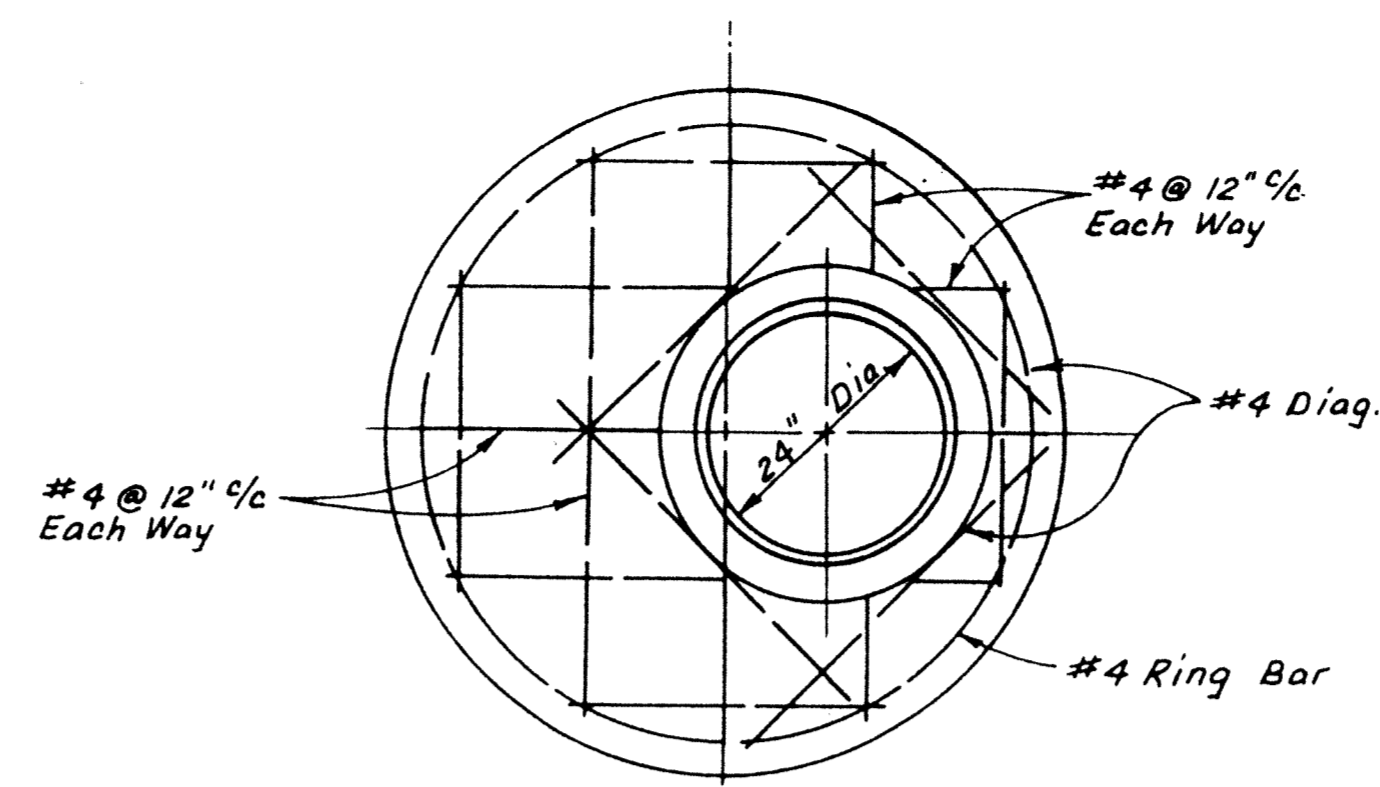
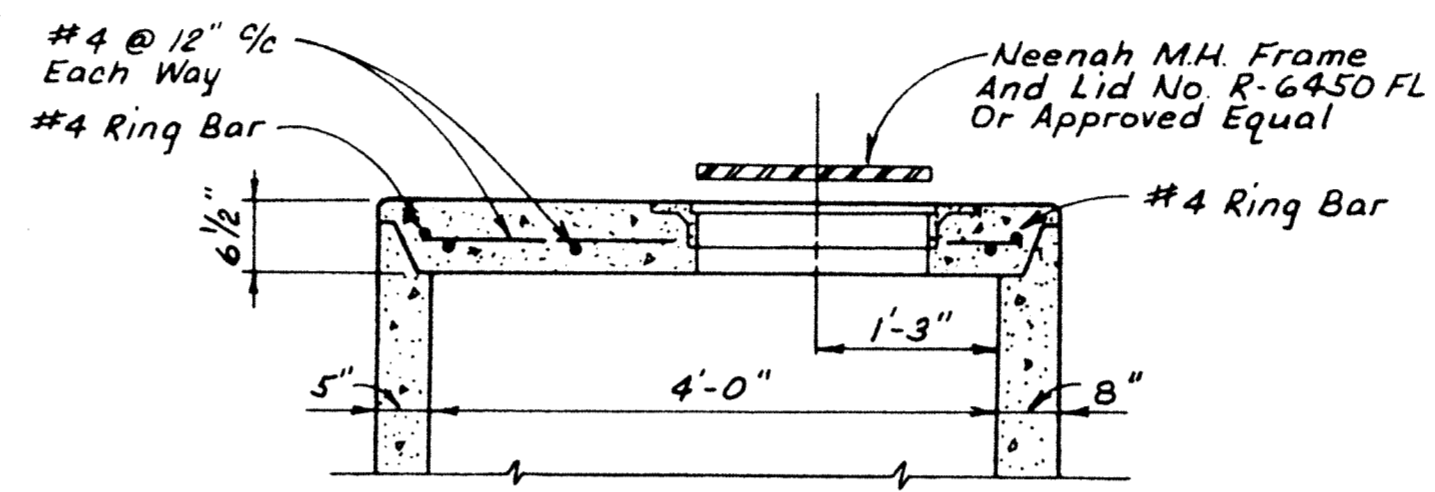


SECTION THRU OVERFLOW

N.T.S.

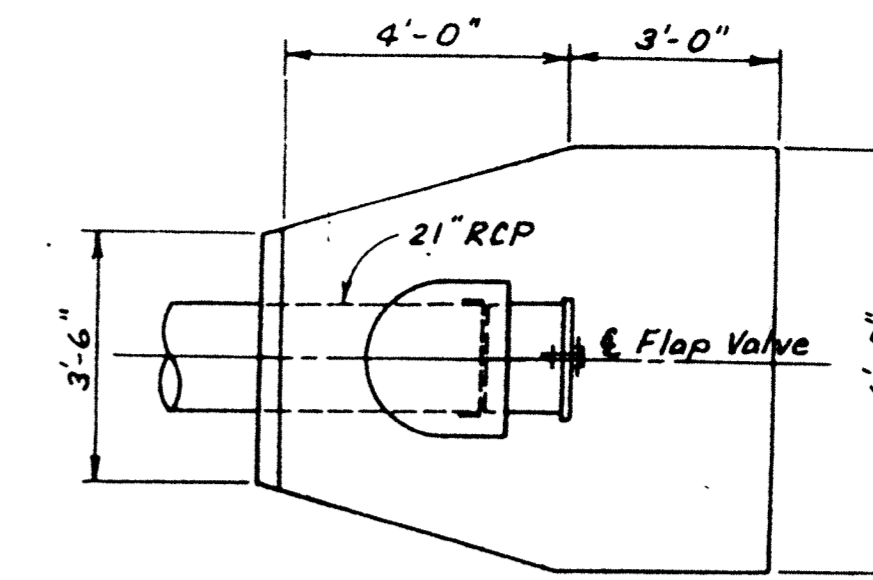


PLAN

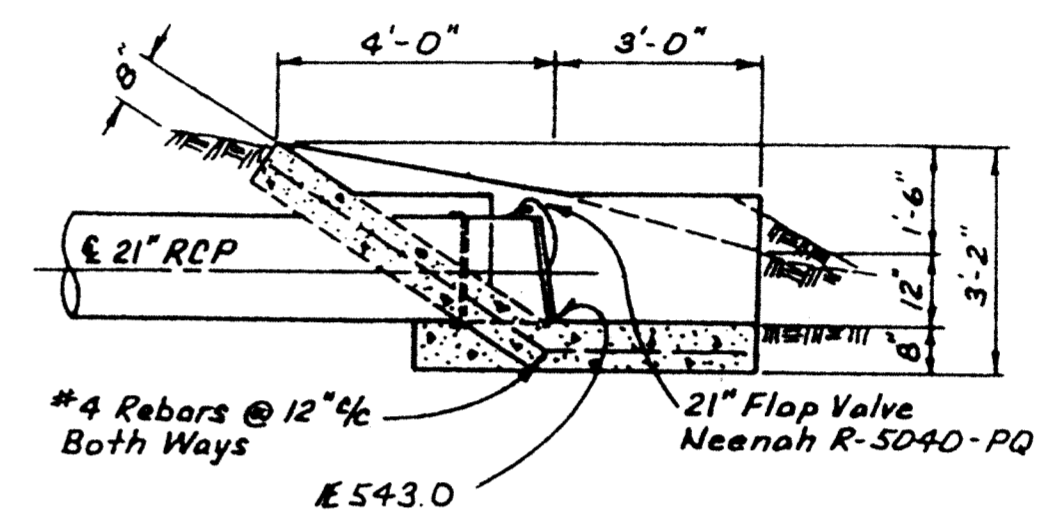


SECTION

**DETAILS
DRAIN MANHOLE TOPS**



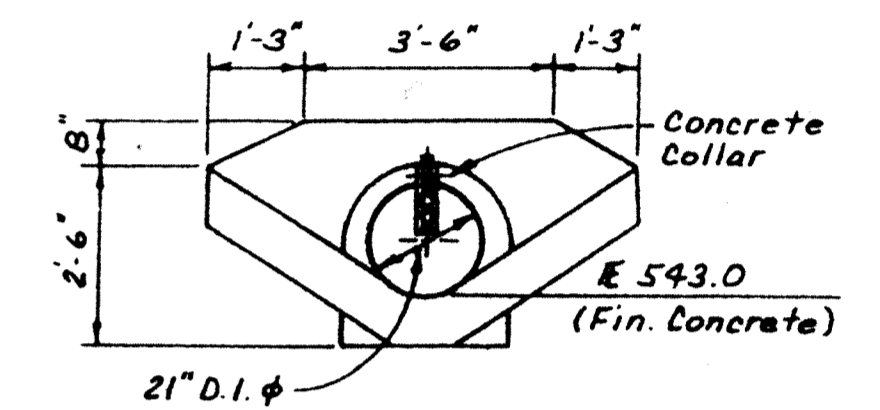
PLAN



SECTION

DETAILS OF DRAIN OUTLET STRUCTURE

N.T.S.



FRONT ELEVATION

J. Anthony Reid
 ANTHONY REID
 3-6-86

TELEPHONE FOOT

DESIGNED	W.L.D.
DRAWN	
TRACED	P.J.W.
CHECKED	<i>[Signature]</i>

JOB NO.	ROK 85897
DATE	DEC 1985
SCALE	AS SHOWN

FREESE AND NICHOLS, INC.
 CONSULTING ENGINEERS
 FORT WORTH-ARLINGTON-AUSTIN, TEXAS

CITY OF ROCKWALL, TEXAS
 HEATH STREET PUMP STATION - 3.0 MG GROUND STORAGE TANK

MISCELLANEOUS DETAILS

SHEET
 7 OF 10