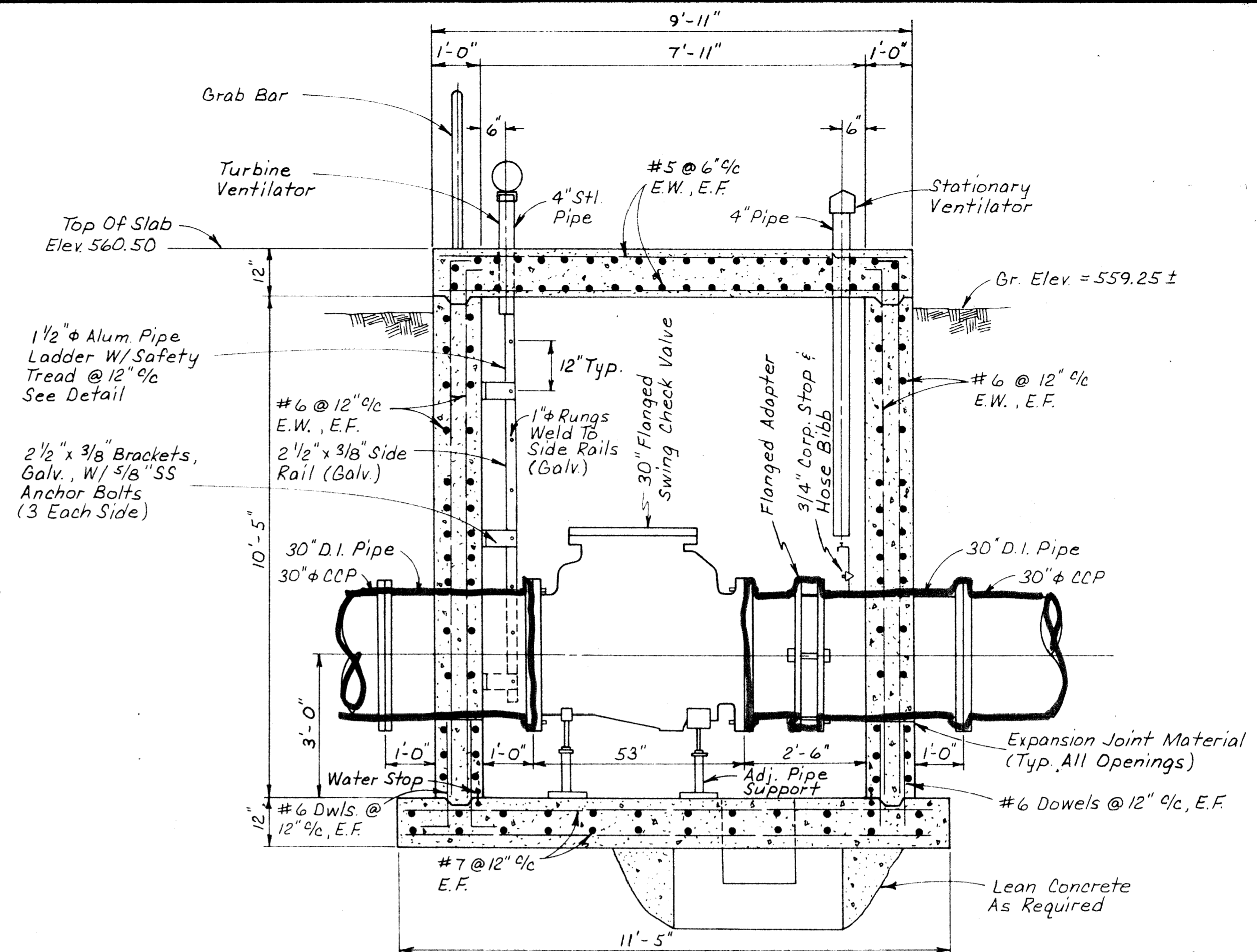


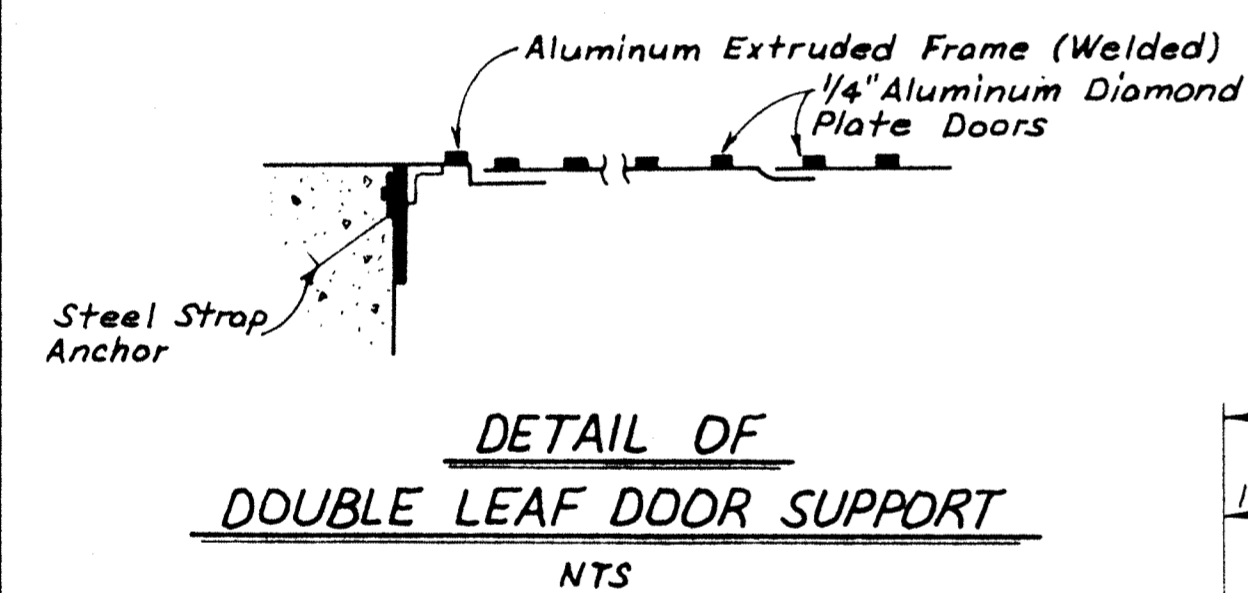
PLAN-CHECK VALVE VAULT

Scale: 1/2" = 1'-0"



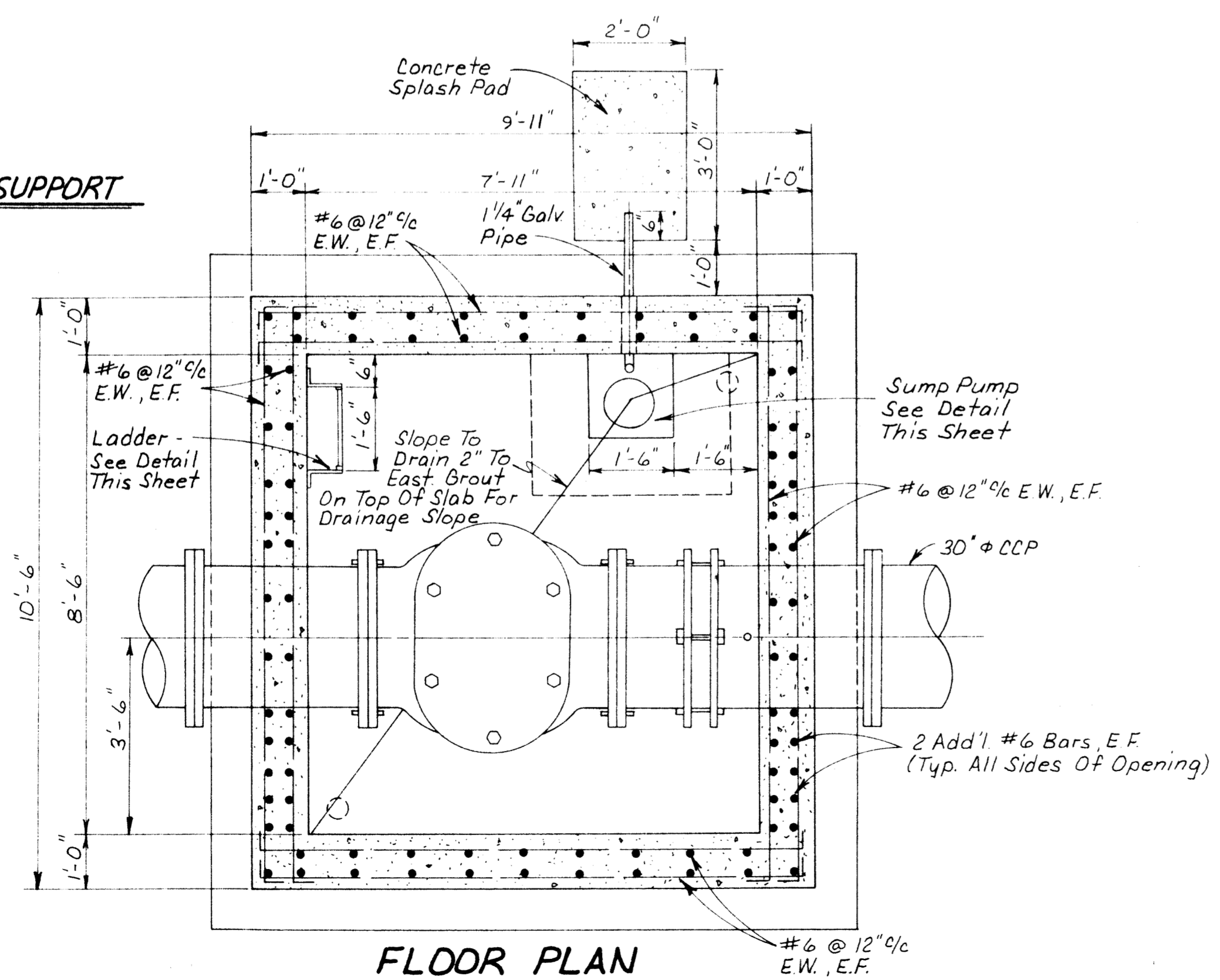
SECTION-CHECK VALVE VAULT

Scale: 1/2" = 1'-0"
SECTION A-A



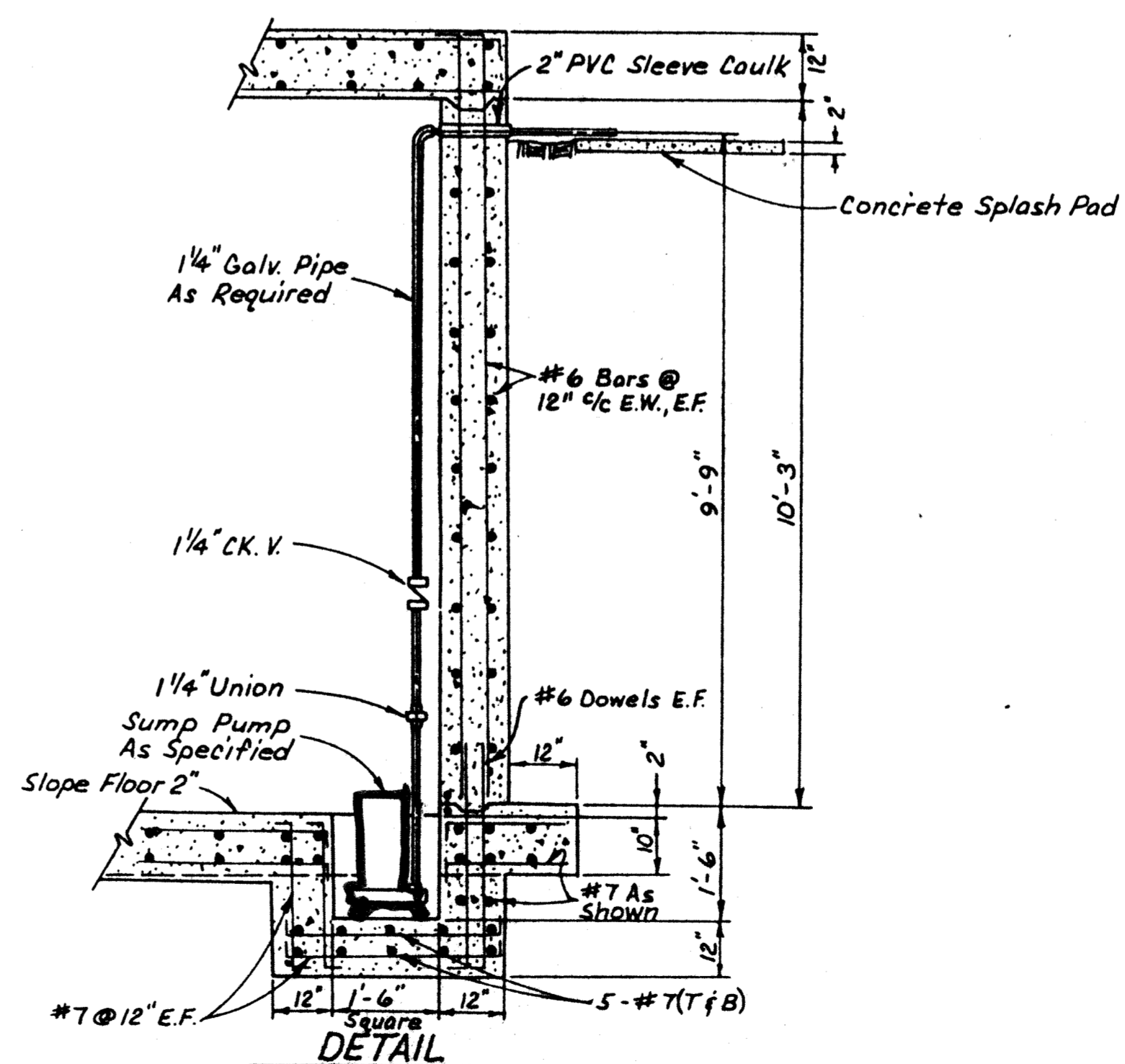
DETAIL OF DOUBLE LEAF DOOR SUPPORT

NTS



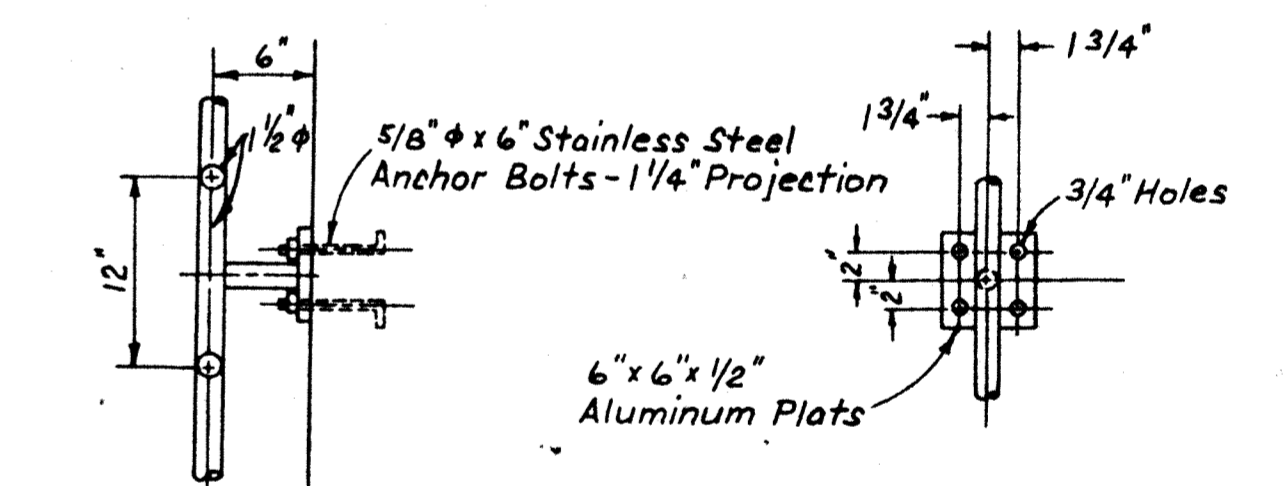
FLOOR PLAN

Scale: 1/2" = 1'-0"



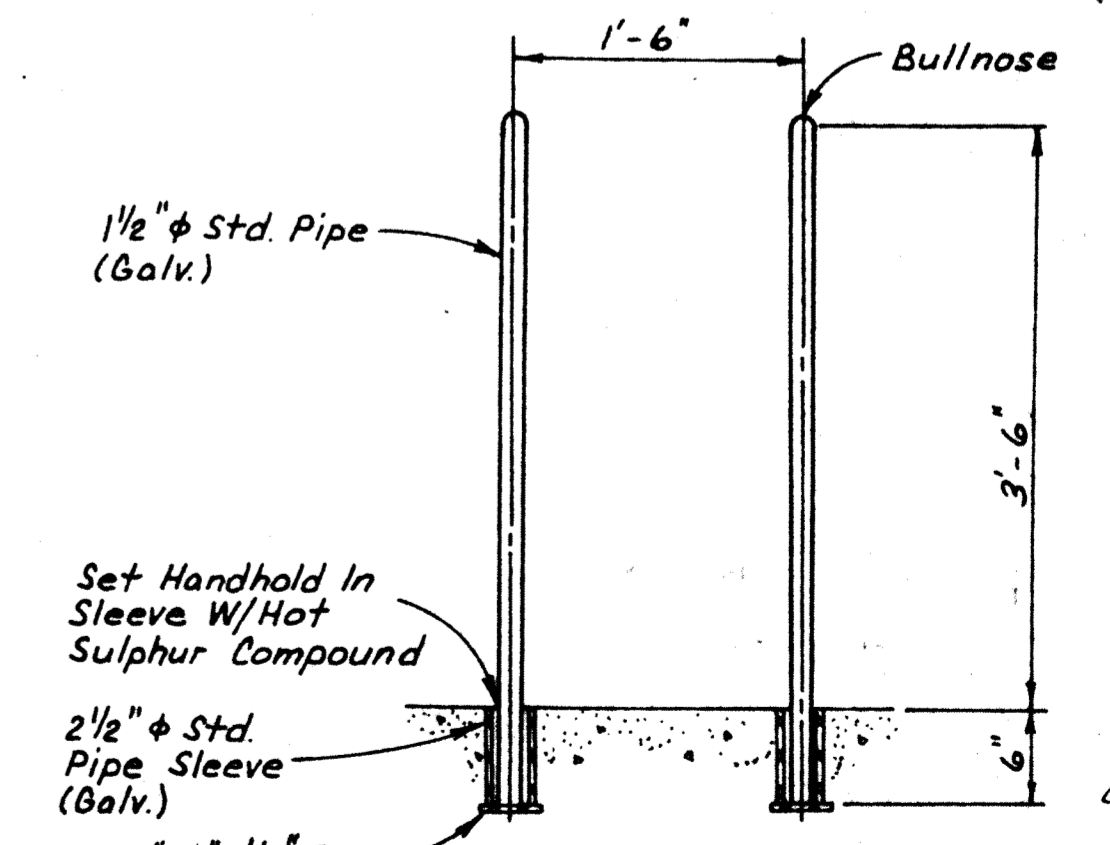
DETAIL SUMP PUMP FOR CHECK VALVE VAULT

Scale: 1/2" = 1'-0"



ALUMINUM LADDER SUPPORT DETAIL

Scale: 1" = 1'-0"



GRAB BAR DETAIL

Scale: 1" = 1'-0"

EXTRA REINFORCEMENT AT WALL OPENING FOR 30" CCP
Scale: 1/4" = 1'-0"

J. Anthony Reed
REGISTERED PROFESSIONAL ENGINEER
3358
3-6-86

DESIGNED	WLD	JOB NO.	ROK 85897	FREES AND NICHOLS CONSULTING ENGINEERS FORT WORTH-AUSTIN, TEXAS	CITY OF ROCKWALL, TEXAS HEATH STREET PUMP STATION-3.0 MG GROUND STORAGE TANK	MISCELLANEOUS DETAILS	SHEET 5 OF 10
DRAWN	PJW	DATE	FEB 1986				
TRACED	SM	SCALE	AS SHOWN				
CHECKED	SM	BY					