

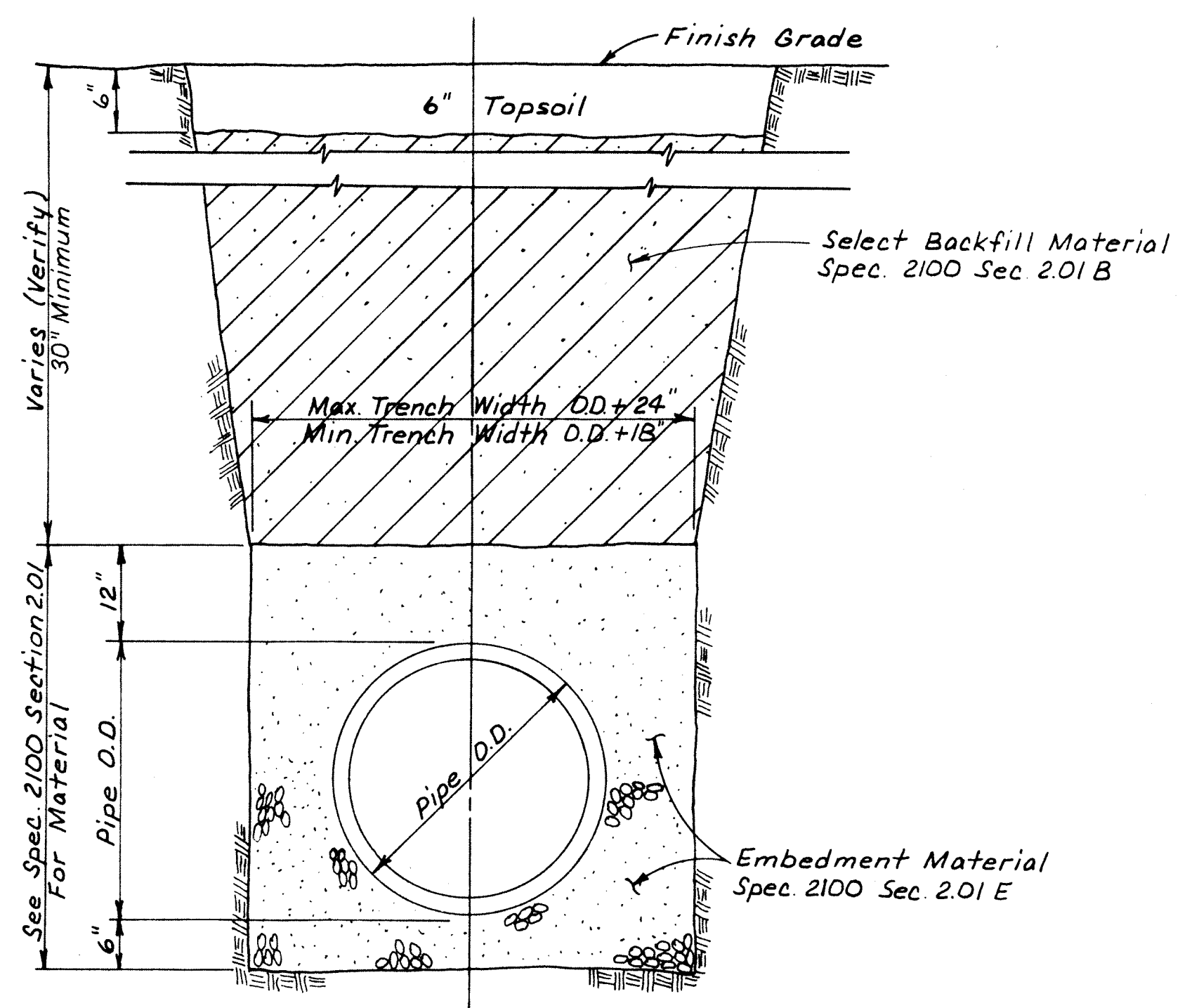
HORIZONTAL BLOCKING TABLE

PIPE SIZE	X FEET	11"-15'		22"-30'		45"-00'		90"-00'		TEE & PLUG	
		A Ft.	Min. Area Ft.²	B Ft.	Min. Area Ft.²	C Ft.	Min. Area Ft.²	D Ft.	Min. Area Ft.²	E Ft.	Min. Area Ft.²
10	2.0	1.13	1.50	2.25	2.99	4.41	5.86	7.80	10.38	5.76	7.66
12	2.0	1.44	2.16	2.87	4.30	5.62	8.43	10.39	15.59	7.35	11.03
16	2.0	1.92	3.84	3.85	7.70	7.50	15.00	13.90	27.80	9.80	19.60
20	2.0	2.40	6.00	4.80	12.00	9.36	23.40	17.36	43.40	12.28	30.70
30	2.5	2.7	13.5	5.2	26	11.0	55	19	95	13.2	66
36	2.5	3.3	20	6.7	40	12.5	75	23	137	16	96

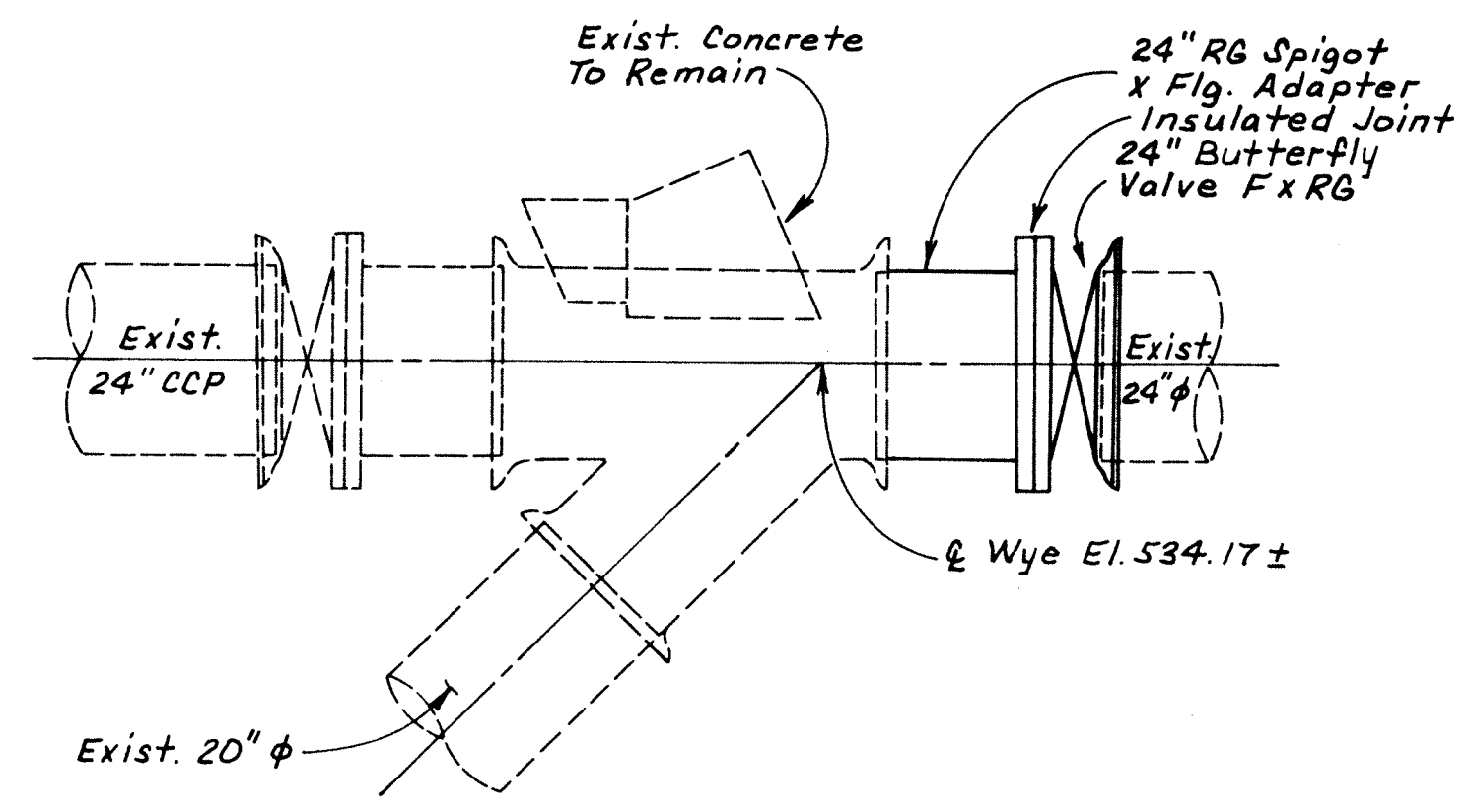
BLOCKING NOTES:

- The earth bearing surface shall be undisturbed material. Keep all joints free from concrete. Thrust block to be constructed of 1,500 P.S.I. (28 day) concrete and placed as shown on typical thrust blocking detail.
- It shall be the responsibility of the contractor to install adequate thrust blocking. The horizontal blocking table shows the minimum thrust blocking area required (in square feet) bearing against undisturbed threch wall.

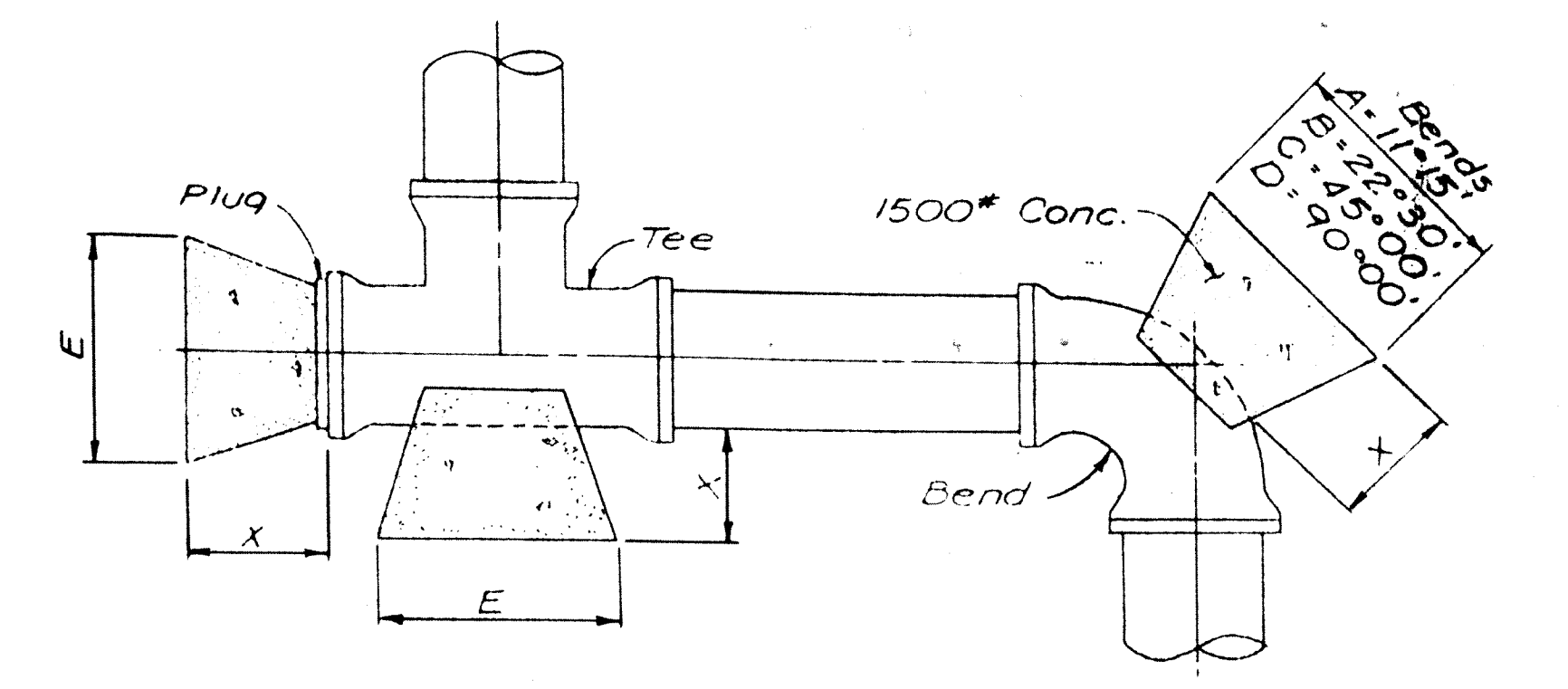
TABLE DATA BASED ON 2,000 P.S.F. SOIL BEARING CAPACITY AND 195 P.S.I. LINE PRESSURE (150 P.S.I. WORKING PRESSURE PLUS 30% FOR WATER HAMMER).



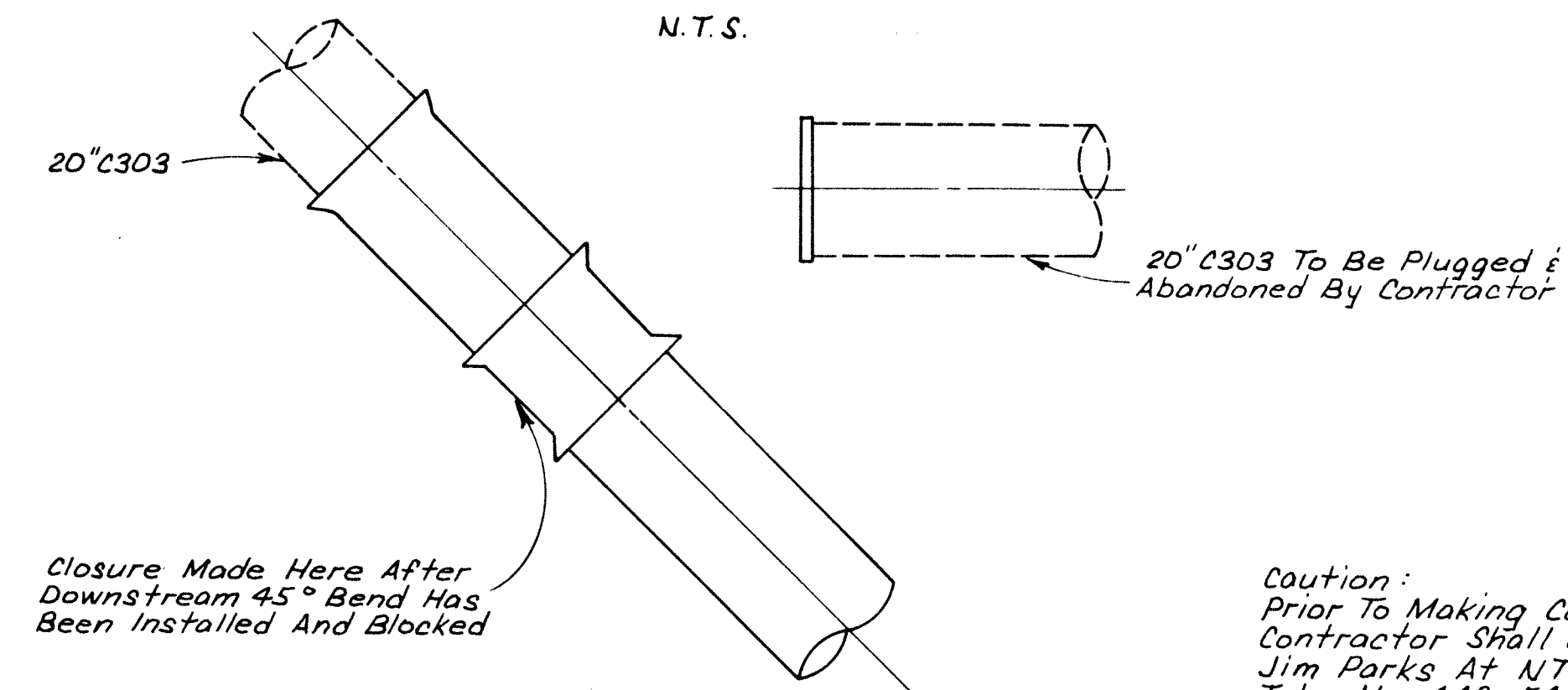
TYPICAL PIPE TRENCH SECTION
ROCKWALL STATION IMPROVEMENTS



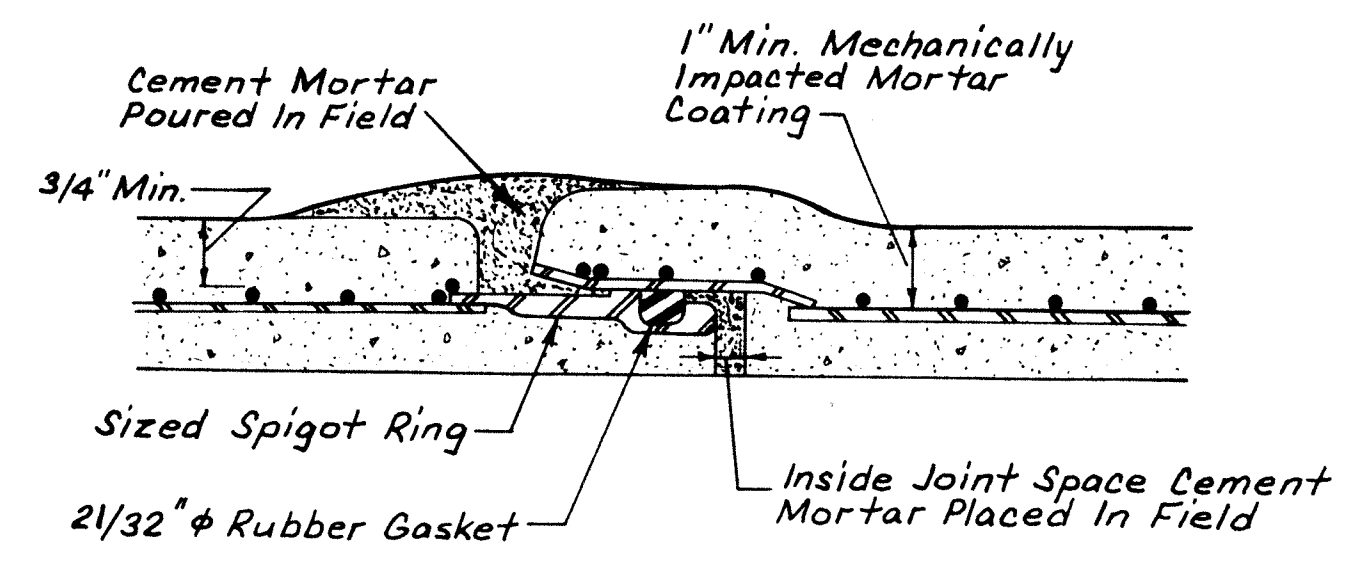
DETAIL - 24" BUTTERFLY VALVE CONNECTION TO
EXISTING 24 x 20 WYE
Scale: 1/2" = 1'-0"



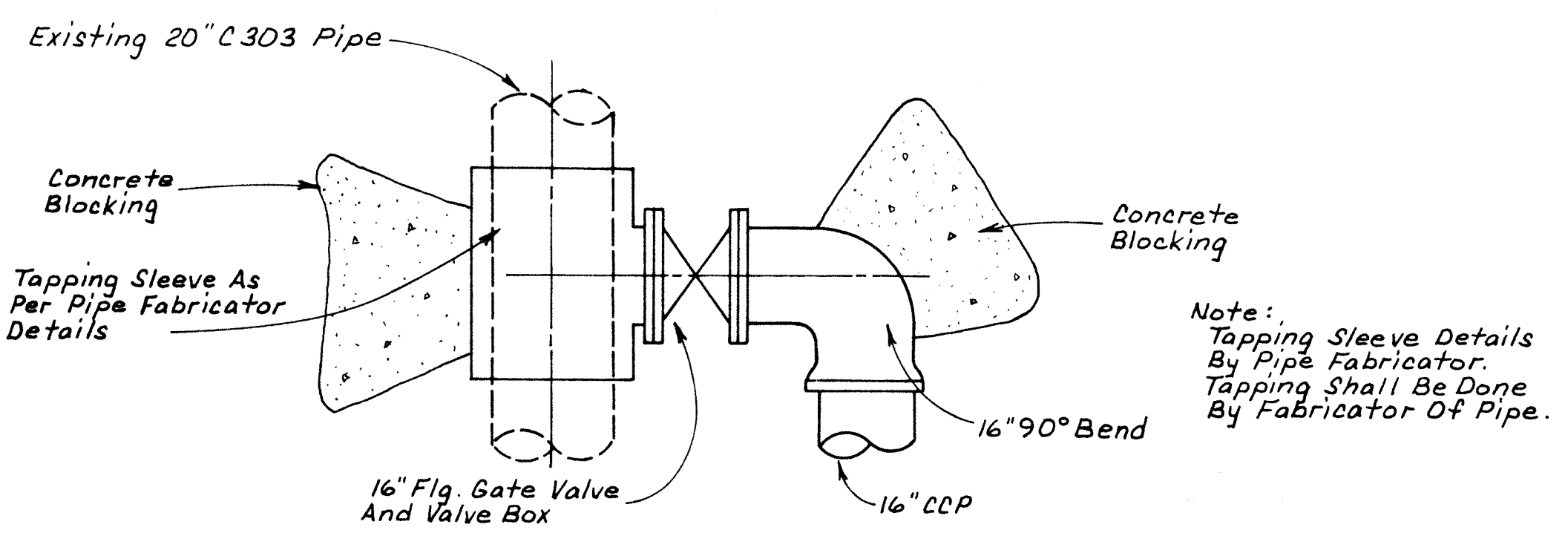
CONCRETE HORIZONTAL BLOCKING DETAIL
N.T.S.



PLAN-CONNECTION TO EXISTING
20" SUPPLY LINE
N.T.S.

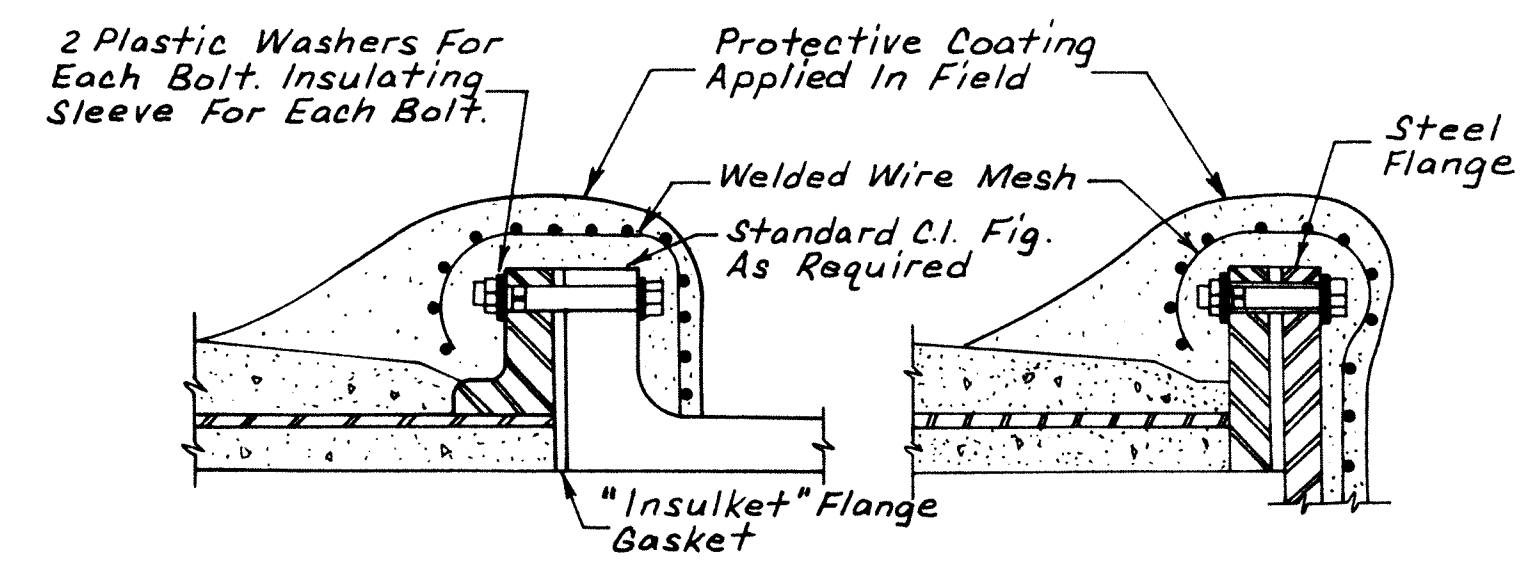


STANDARD PRETENSIONED
CONCRETE CYLINDER
PIPE
N.T.S.

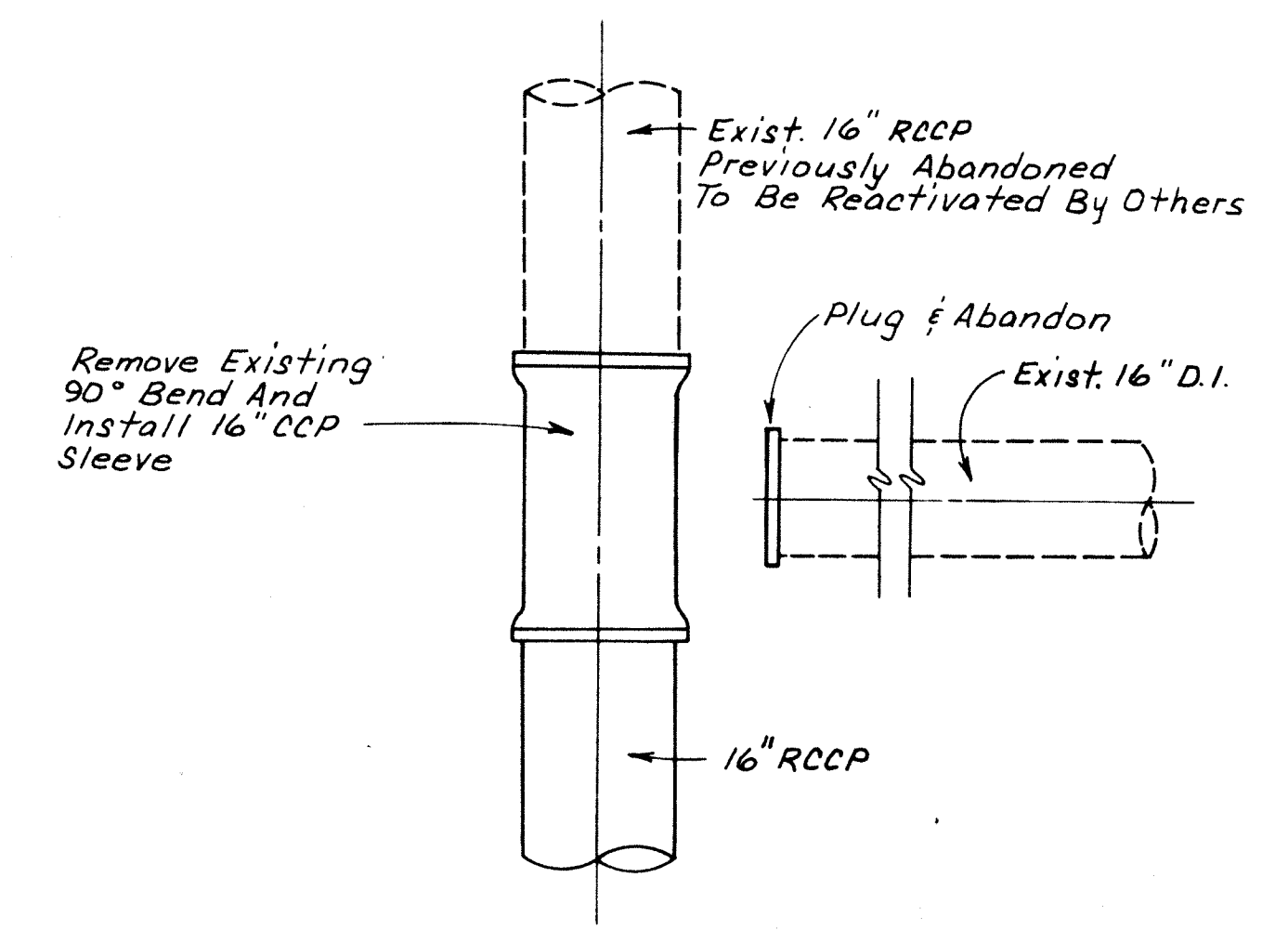


PLAN-CONNECTION TO EXISTING
20" DISCHARGE LINE
N.T.S.

Note:
Tapping Sleeve Details By Pipe Fabricator.
Tapping Shall Be Done By Fabricator Of Pipe.



FLANGED CONNECTIONS
N.T.S.



DETAIL-CONNECTION TO EXISTING 16" SUPPLY LINE
N.T.S.

3-6-86
3310

DESIGNED	WLD	JOB NO.	ROK 85897
DRAWN	PJW	DATE	OCT 1985
TRACED	PJW	SCALE	AS SHOWN
CHECKED	AW		

FRESE AND NICHOLS, INC.
CONSULTING ENGINEERS
FORT WORTH-ARLINGTON-AUSTIN, TEXAS

CITY OF ROCKWALL, TEXAS
HEATH STREET PUMP STATION-3.0 MG GROUND STORAGE TANK

MISCELLANEOUS DETAILS

SHEET
6 OF 10