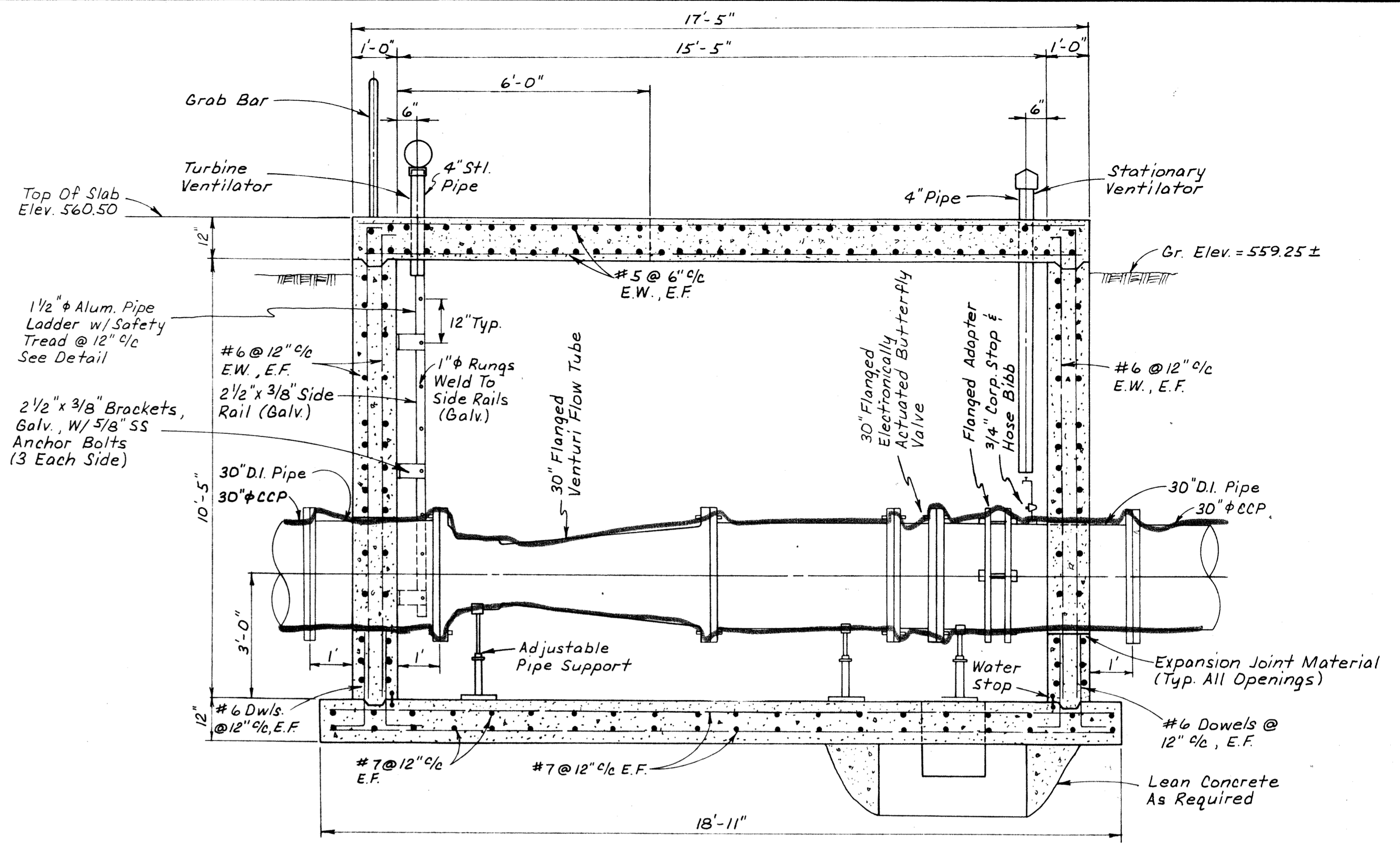
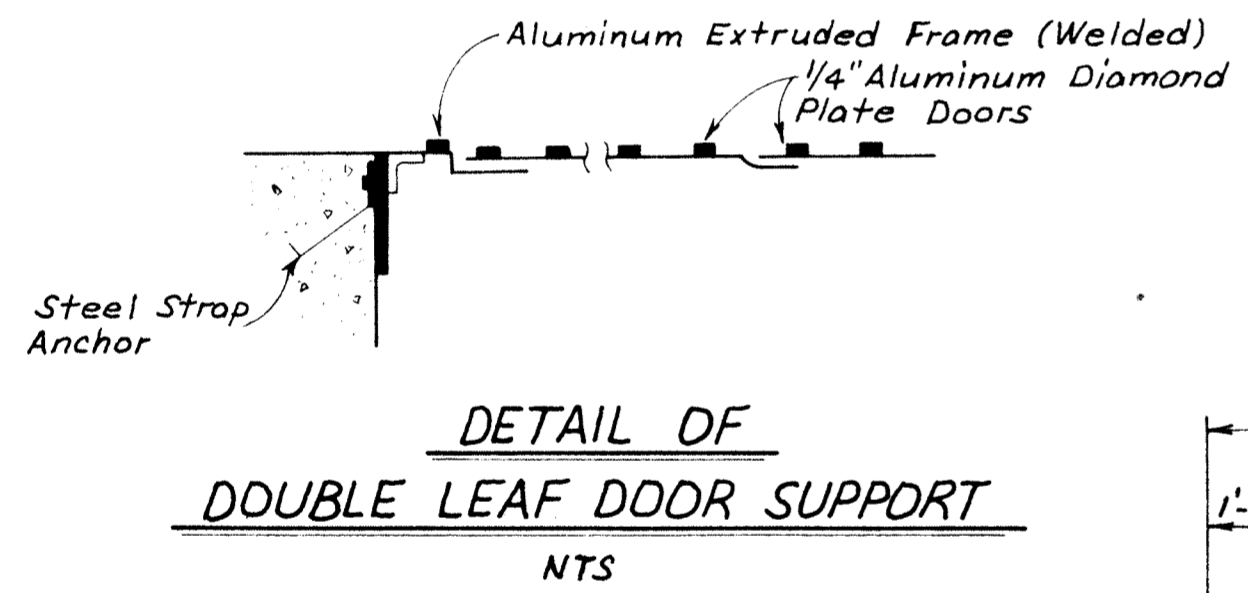


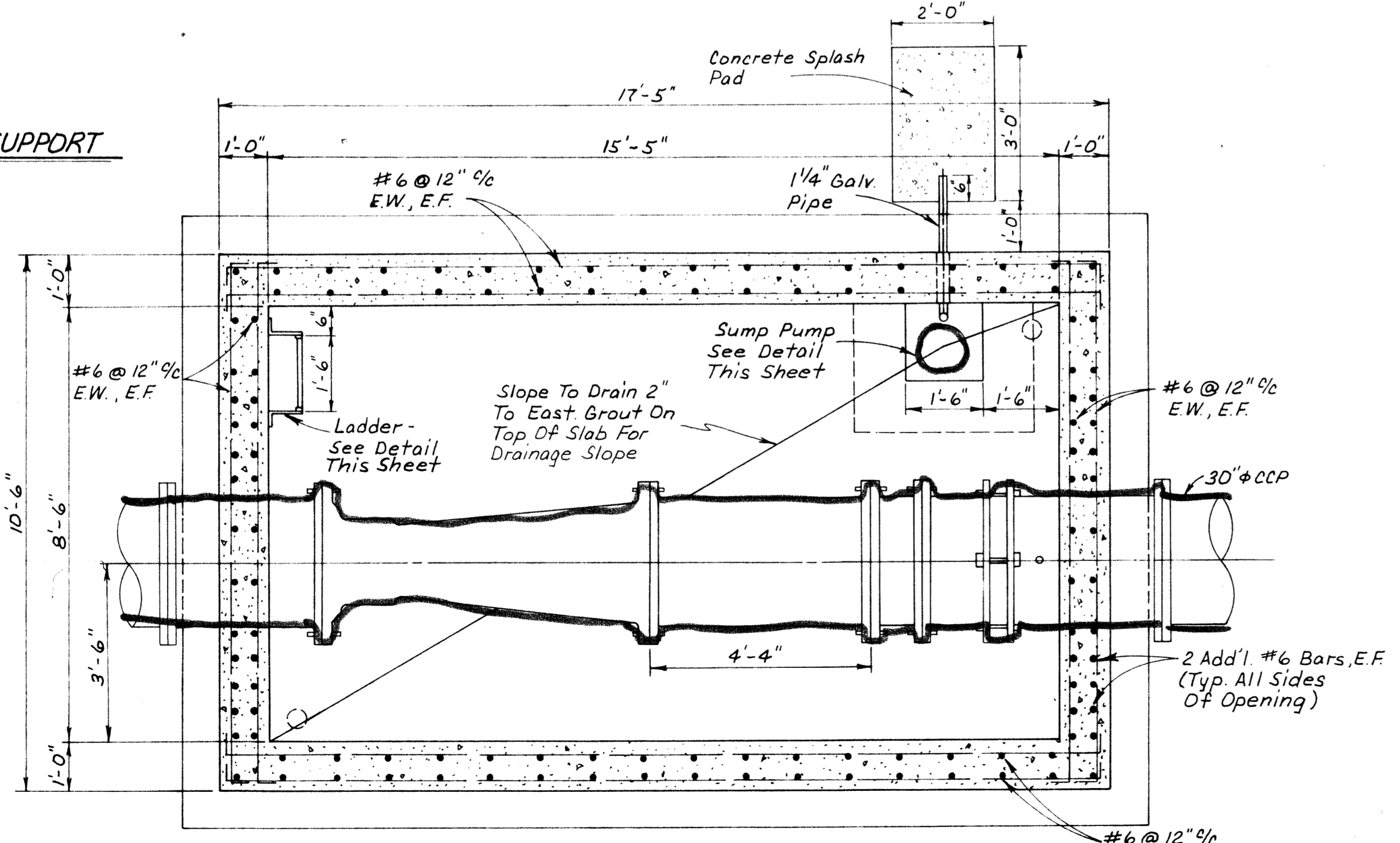
**PLAN - FLOW TUBE VAULT**  
Scale: 1/2" = 1'-0"



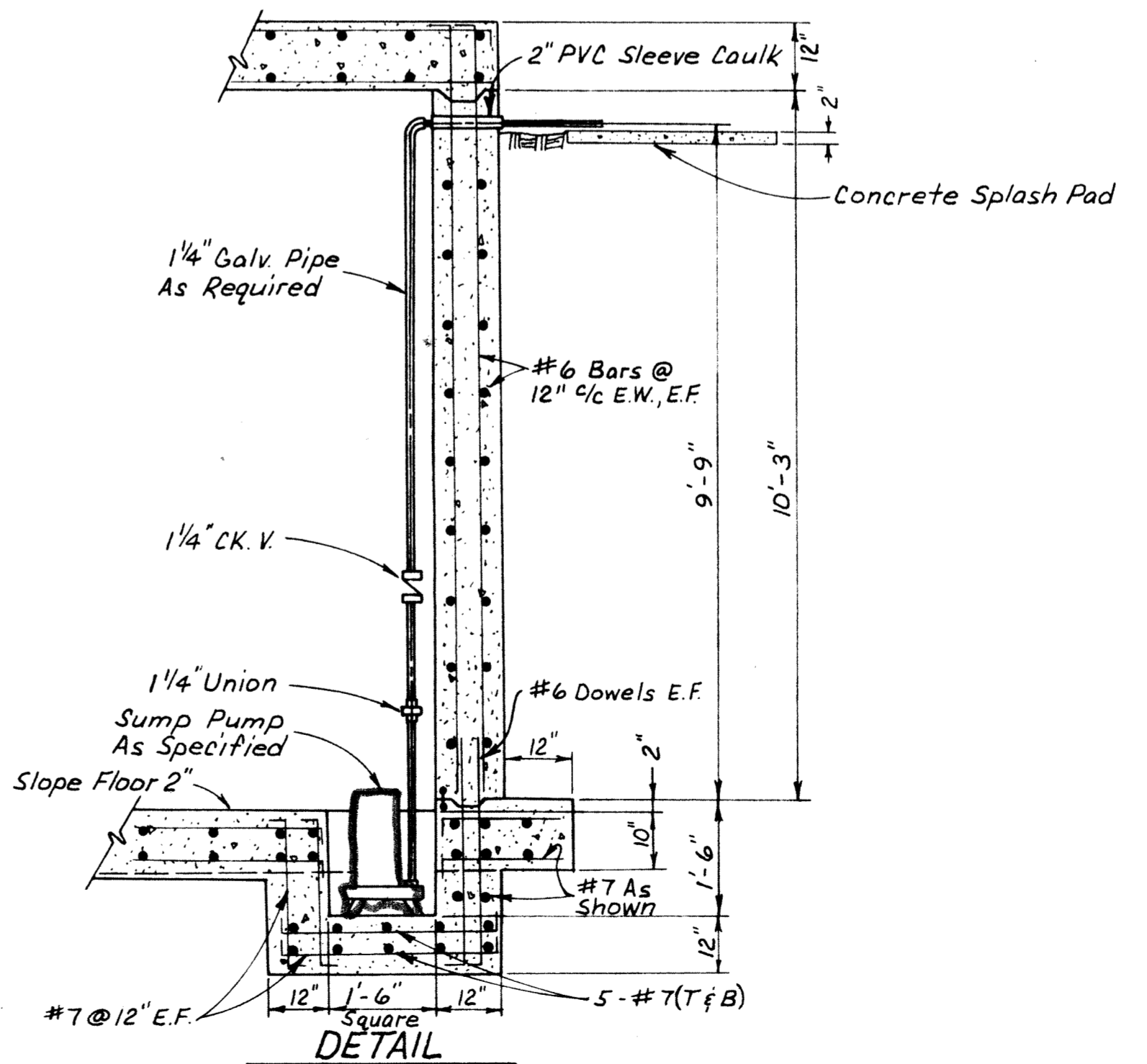
**SECTION - FLOW TUBE VAULT**  
Scale: 1/2" = 1'-0"  
Section A-A



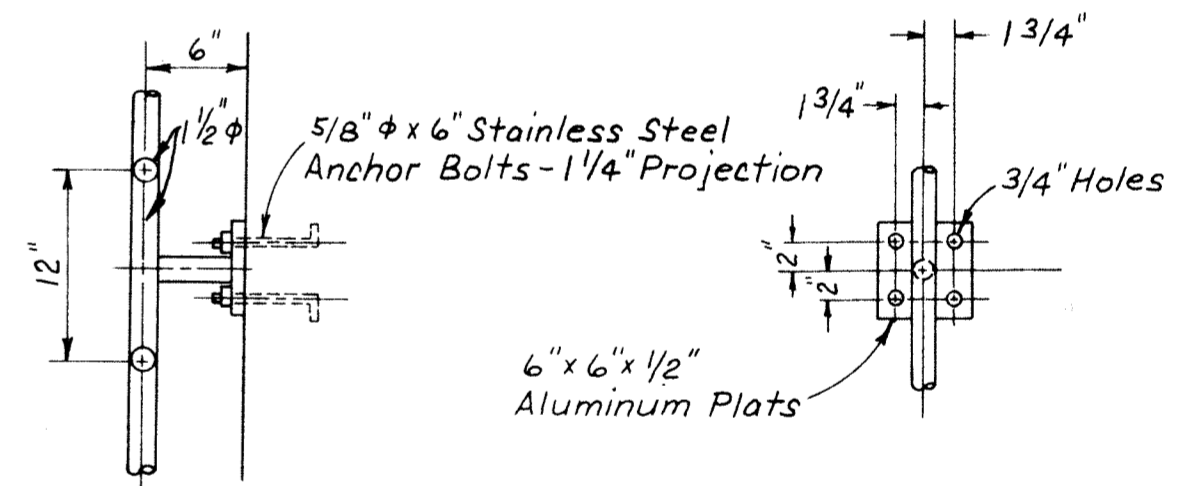
**DETAIL OF DOUBLE LEAF DOOR SUPPORT**  
NTS



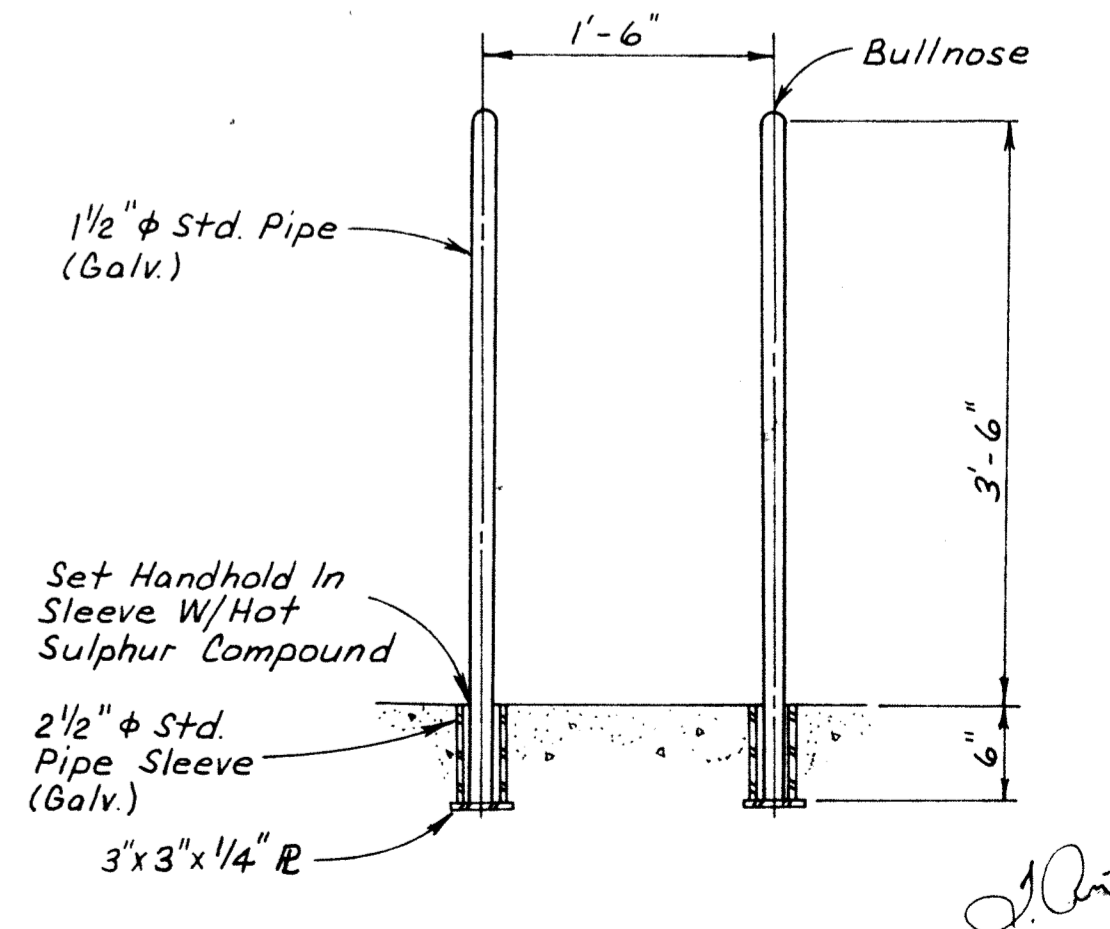
**FLOOR PLAN**  
Scale: 1/2" = 1'-0"



**SUMP PUMP FOR FLOW TUBE VAULT**  
Scale: 1/2" = 1'-0"



**ALUMINUM LADDER SUPPORT DETAIL**  
Scale: 1" = 1'-0"



**GRAB BAR DETAIL**  
Scale: 1" = 1'-0"

EXTRA REINFORCEMENT AT WALL OPENING FOR 30" CCP  
Scale: 1/4" = 1'-0"

TELEPHONE POST

DESIGNED	WLD	JOB NO.	ROK 85897
DRAWN	PJW	DATE	DEC. 1985
TRACED		SCALE	AS SHOWN
CHECKED	308		

FRESE AND NICHOLS, INC.  
CONSULTING ENGINEERS  
FORT WORTH-ARLINGTON-AUSTIN, TEXAS

CITY OF ROCKWALL, TEXAS  
HEATH STREET PUMP STATION-3.0 MG GROUND STORAGE TANK

MISCELLANEOUS DETAILS

3-6-86  
SHEET  
4 OF 10