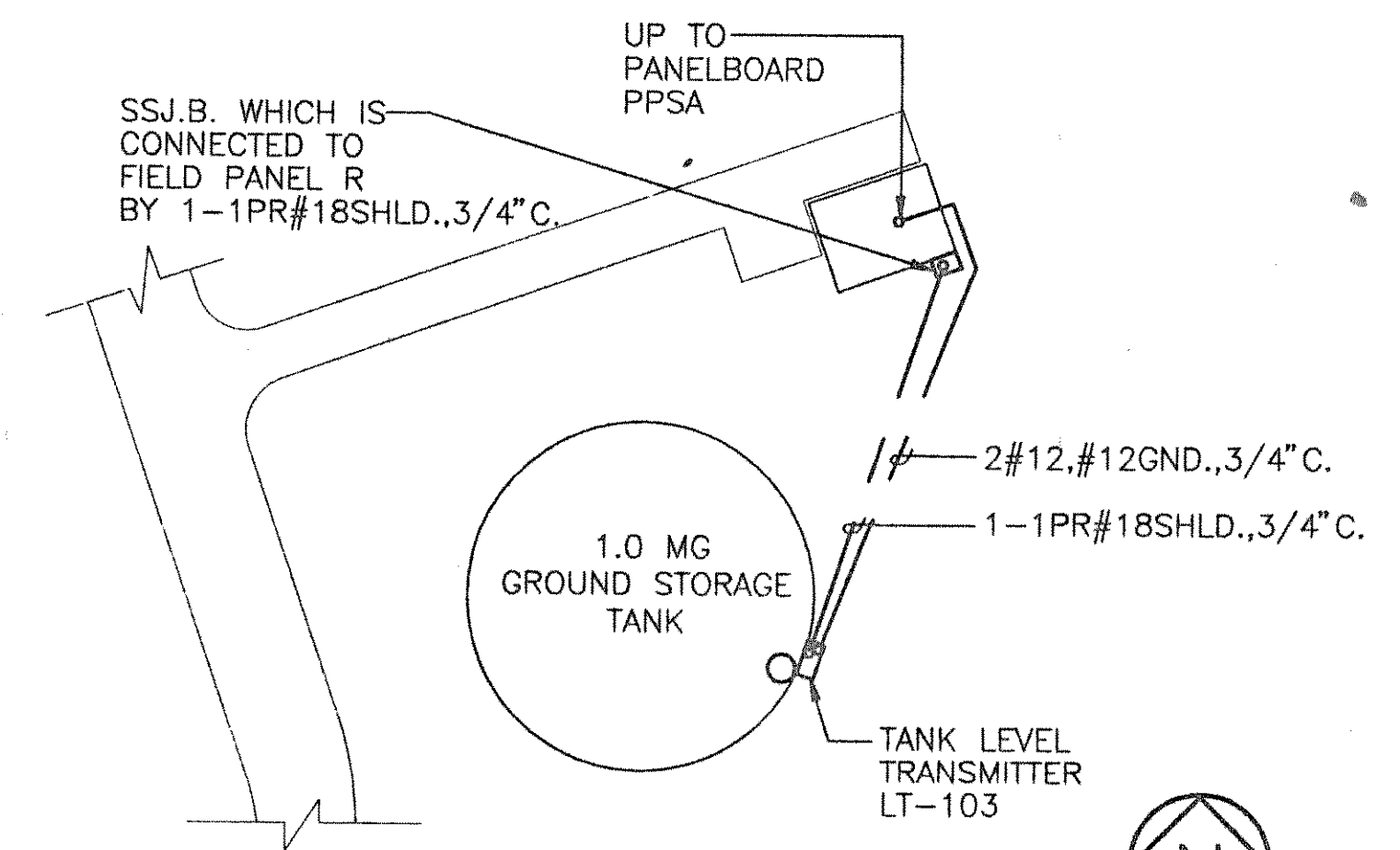
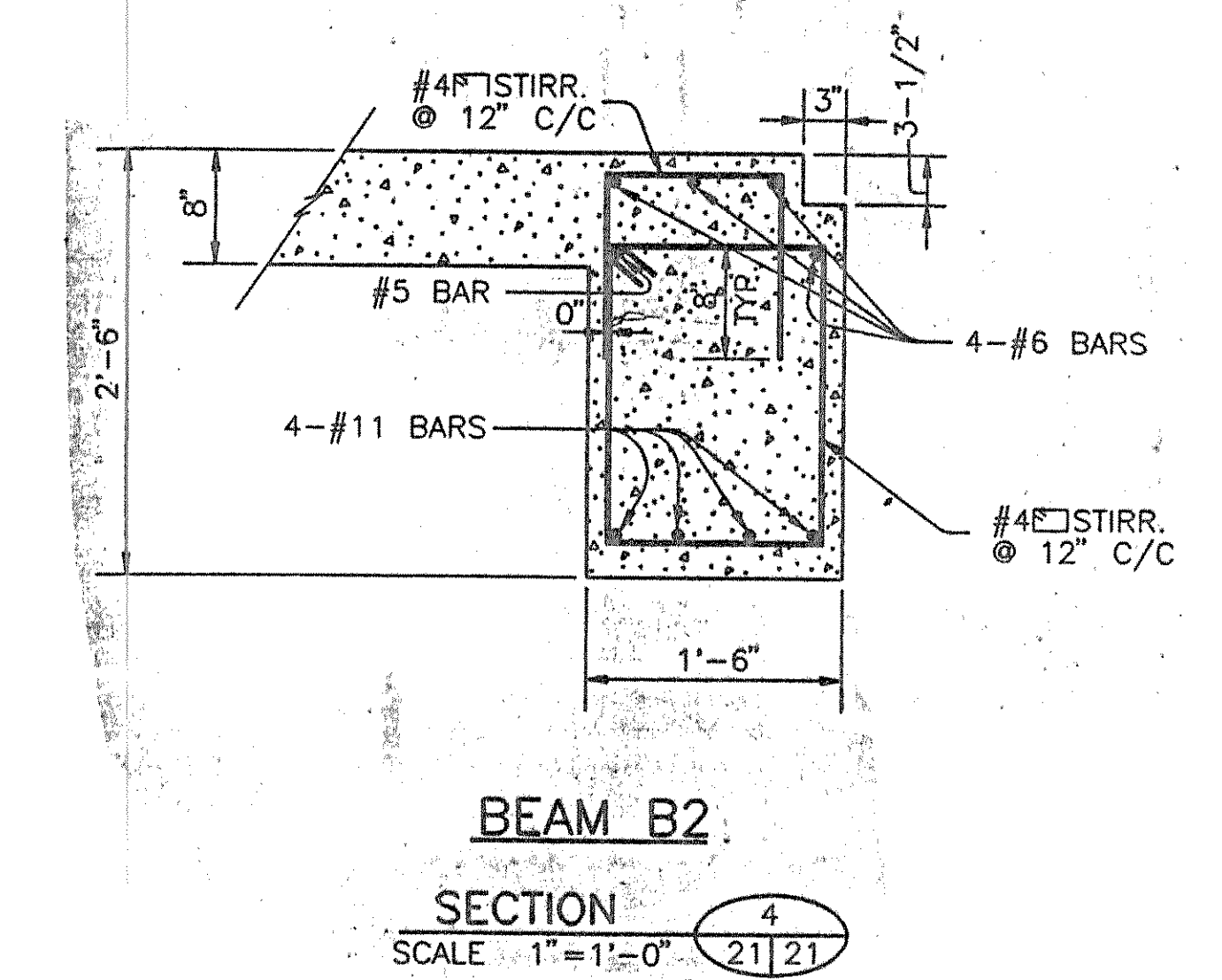


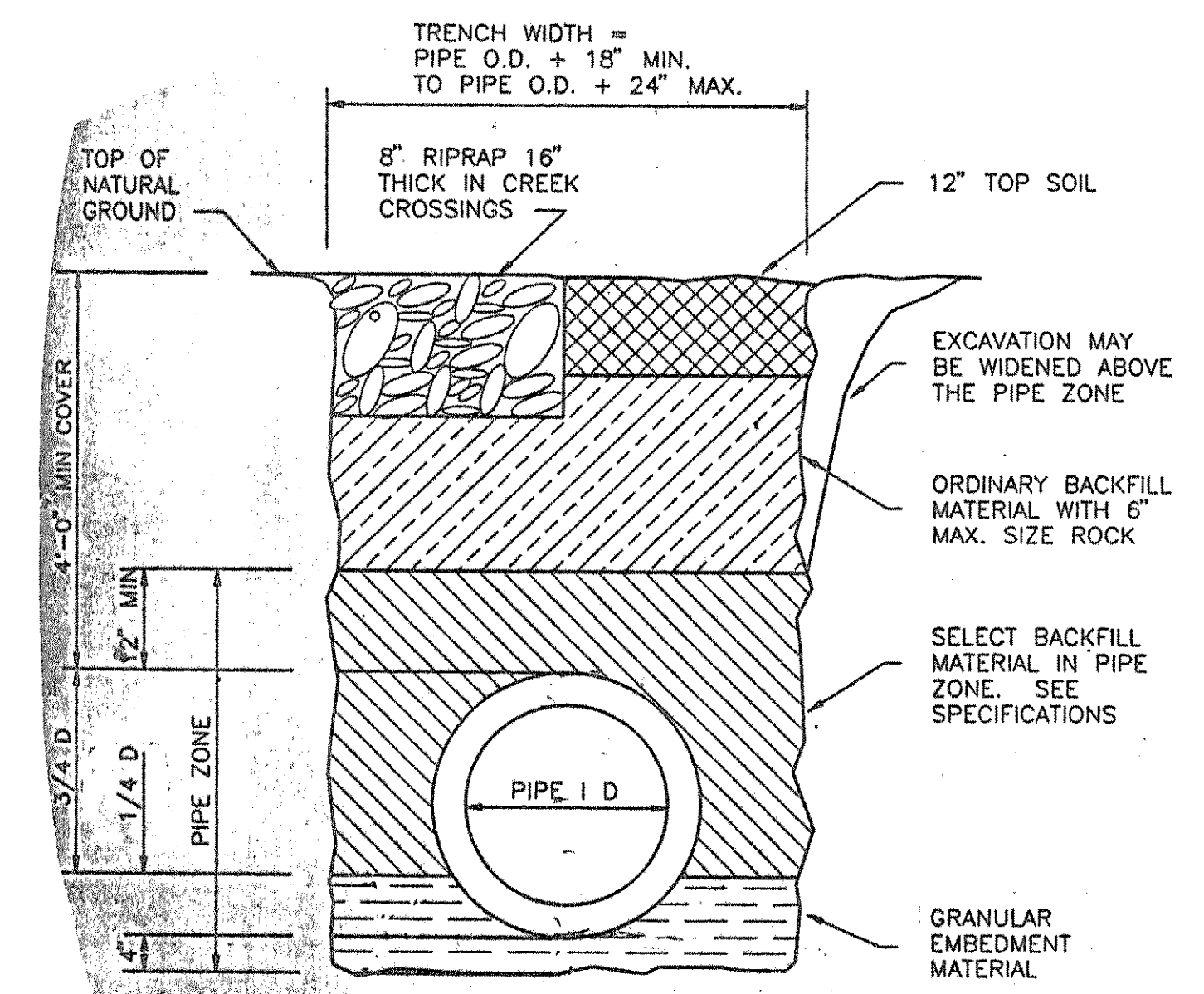
DETAIL B - LEVEL TRANSMITTER LT-103 MOUNTING
ADDENDUM NO.2
PLATE 4



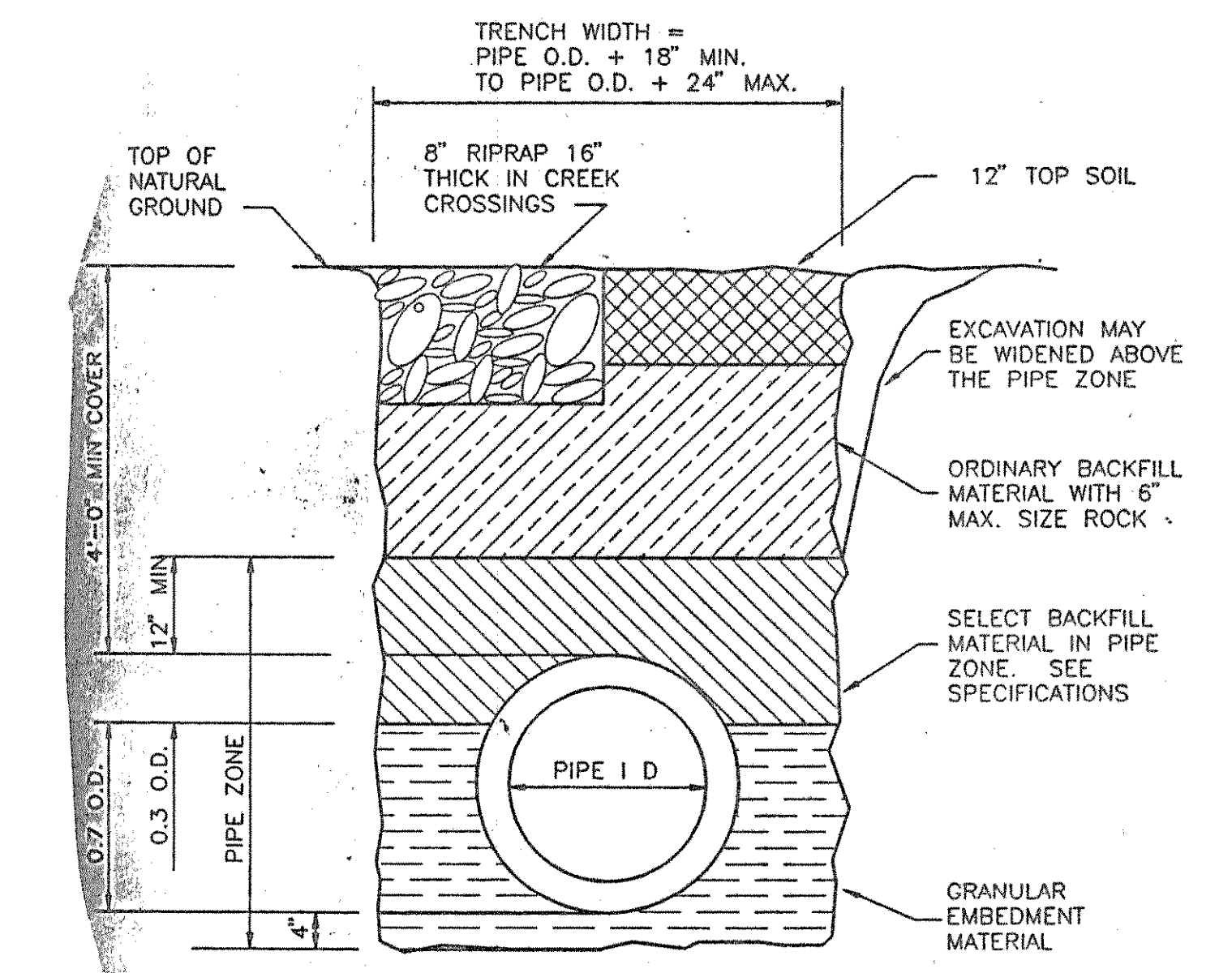
GROUND STORAGE TANK SITE PLAN
ADDENDUM NO.2
PLATE 5



BEAM B2.
SECTION 4
SCALE 1"=1'-0"



TYPICAL TRENCH SECTION FOR 24" AND SMALLER PRETENSIONED CONCRETE CYLINDER PIPE
NOT TO SCALE



TYPICAL TRENCH SECTION FOR 27" AND LARGER PRETENSIONED CONCRETE CYLINDER PIPE
NOT TO SCALE

STATION	DEFLECTION	DIRECTIO	CLASS	THRUST	JOINT STATUS	AREA	DATE	DIMENSION	QUANTITY
19 + 87	45	Ll.	200	189017	WELDED & BLOCKED	94.81	8-18	10X9.5X4	14 CY.
20 + 55	45	Rl.	200	189017	WELDED & BLOCKED	94.51	ORIGINAL		
21 + 72	45	Rl.	200	189017	WELDED & BLOCKED	94.51	8-13	10X9.5X4	14 CY.
22 + 59	45	Ll.	200	189017	WELDED & BLOCKED	94.51	8-13	10X9.5X4	14 CY.
100 + 10	22	Dr.	200	84245.4	ENCASSED	47.12	ORIGINAL		
102 + 50	22	Ub.	200	84245.4	ENCASSED	47.12	ORIGINAL		
101 + 80	33	Ub.	200	142282	ENCASSED	70.14	ORIGINAL		
101 + 65	33	Dr.	200	142282	ENCASSED	70.14	ORIGINAL		
101 + 65	18	Rl.	200	89741.1	ENCASSED	84.97	ORIGINAL		
128 + 81	18	Ll.	200	84470.2	BLOCKED	92.34	8-12	7X8X4	7 CY.
189 + 23	88	Ll.	175	900221	BLOCKED	150.1	ORIGINAL		
190 + 68	88	Rl.	175	900221	BLOCKED	150.1	ORIGINAL		
195 + 70	54	Dr.	200	224237	ENCASSED	112.1	ORIGINAL		
195 + 80	54	Ub.	200	224237	ENCASSED	112.1	ORIGINAL		
198 + 70	24	Ub.	200	102892	ENCASSED	81.29	ORIGINAL		
197 + 10	22	Dr.	200	84245.4	ENCASSED	47.12	ORIGINAL		
256 + 93	48	Ll.	200	200999	BLOCKED	100.4	8-12	12X9X4	15 CY.
294 + 28	48	Rl.	200	200999	WELDED & BLOCKED	100.4	8-11	12X9X4	16 CY.
309 + 89	13	Ll.	200	55614	BLOCKED	27.06	ORIGINAL		
311 + 52	12	Ll.	175	45175.6	BLOCKED	22.59	8-10	6X4X4	4 CY.
312 + 78	13	Rl.	175	48924.7	BLOCKED	24.48	8-10	6X4X4	4 CY.
313 + 88	13	Rl.	175	48924.7	BLOCKED	24.48	8-10	6X4X4	4 CY.
322 + 97	30	Ll.	175	111859	BLOCKED	85.93	8-10	7X8X4	8.5 CY.
326 + 18	30	Rl.	175	111859	BLOCKED	85.93	8-10	7X8X4	8.5 CY.
330 + 18	59	Ll.	180	182415	WELDED & BLOCKED	91.21	8-11	12X9X4	14 CY.
EQU. 333 + 31 AH	60	Rl.	150	182222	WELDED & BLOCKED	92.01	8-11	12X9X4	14 CY.
334 + 37 BK					*****				
348 + 48	94	Ll.	150	108307	BLOCKED	84.15	8-9	8X8X4	8 CY.
348 + 97	33	Rl.	150	108212	BLOCKED	82.61	8-9	8X8X4	8 CY.
356 + 89	30	Ll.	150	281844	BLOCKED	131	ORIGINAL		
357 + 09	80	Rl.	150	281844	BLOCKED	131	ORIGINAL		
359 + 38	24	Ll.	150	77019.7	BLOCKED	28.51	8-7	6X7X4	5 CY.
362 + 33	19	Rl.	150	61140.9	BLOCKED	30.57	8-7	6X8X4	5 CY.
365 + 16	45	Ll.	175	165390	BLOCKED	82.69	8-6	12X9X4	15 CY.
365 + 51	45	Rl.	175	165390	BLOCKED	82.69	8-6	12X9X4	15 CY.
368 + 42	45	Rl.	175	165390	BLOCKED	82.69	8-6	12X9X4	15 CY.
EQU. 369 + 67 AH	45	Ll.	175	165390	WELDED & BLOCKED	82.69		8X14X4	15 CY.
368 + 77 BK					*****				
369 + 23	11	Rl.	175	41423.1	BLOCKED	20.71	8-6	5X8X4	5 CY.
369 + 52	11	Ll.	175	41423.1	BLOCKED	20.71	8-6	5X8X4	5 CY.
371 + 48	90	Rl.	175	305601	WELDED & BLOCKED	152.9			
371 + 54	90	Ll.	175	305601	WELDED & BLOCKED	152.9			
385 + 47	28	Rl.	175	104595	BLOCKED	82.28	8-7	7X8X4	8 CY.
385 + 43	46	Ll.	175	168998	BLOCKED	84.43	ORIGINAL		
392 + 88	29	Rl.	175	98169.8	BLOCKED	48.08	ORIGINAL		
397 + 85	65	Rl.	175	232113	WELDED & BLOCKED	116.1			
397 + 88	67	PLUG	175	298599	BLOCKED	119.3	8-14	11X11X2.5	15 CY.

RECORD DRAWING
Date 4/15/94 AD

ACAD/JO
D:\NTD88047\ADDENDUM.DWG
DESIGNED
DRAWN
TRACED
CHECKED

DATE	REVISION	DESIGNED	JOB NO. NTD88047	FRESE AND NICHOLS, INC. CONSULTING ENGINEERS FORT WORTH-ARLINGTON-AUSTIN, TEXAS	NORTH TEXAS MUNICIPAL WATER DISTRICT WYLIE - ROCKWALL - FARMERSVILLE PIPELINE	ADDENDUM 2	SH. 28A OF 28
		DRAWN	DATE 3-29-94				
		TRACED	SCALE AS SHOWN				
		CHECKED					