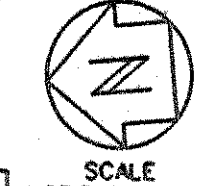
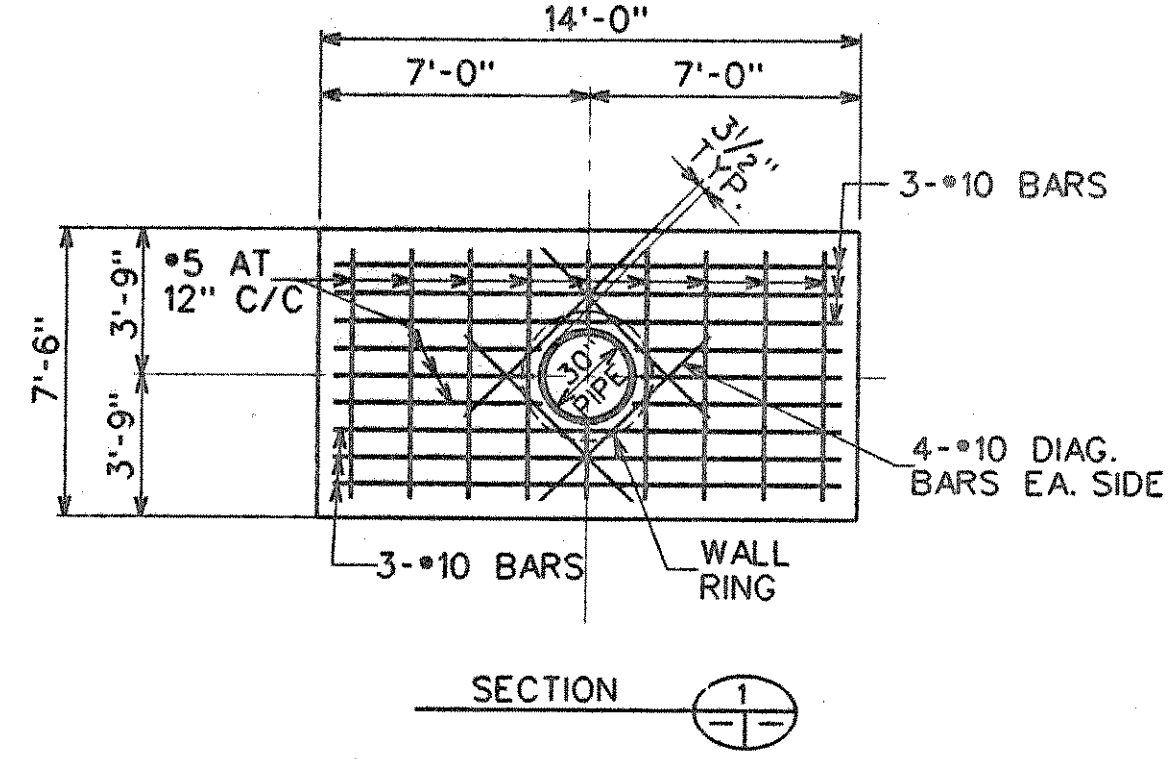
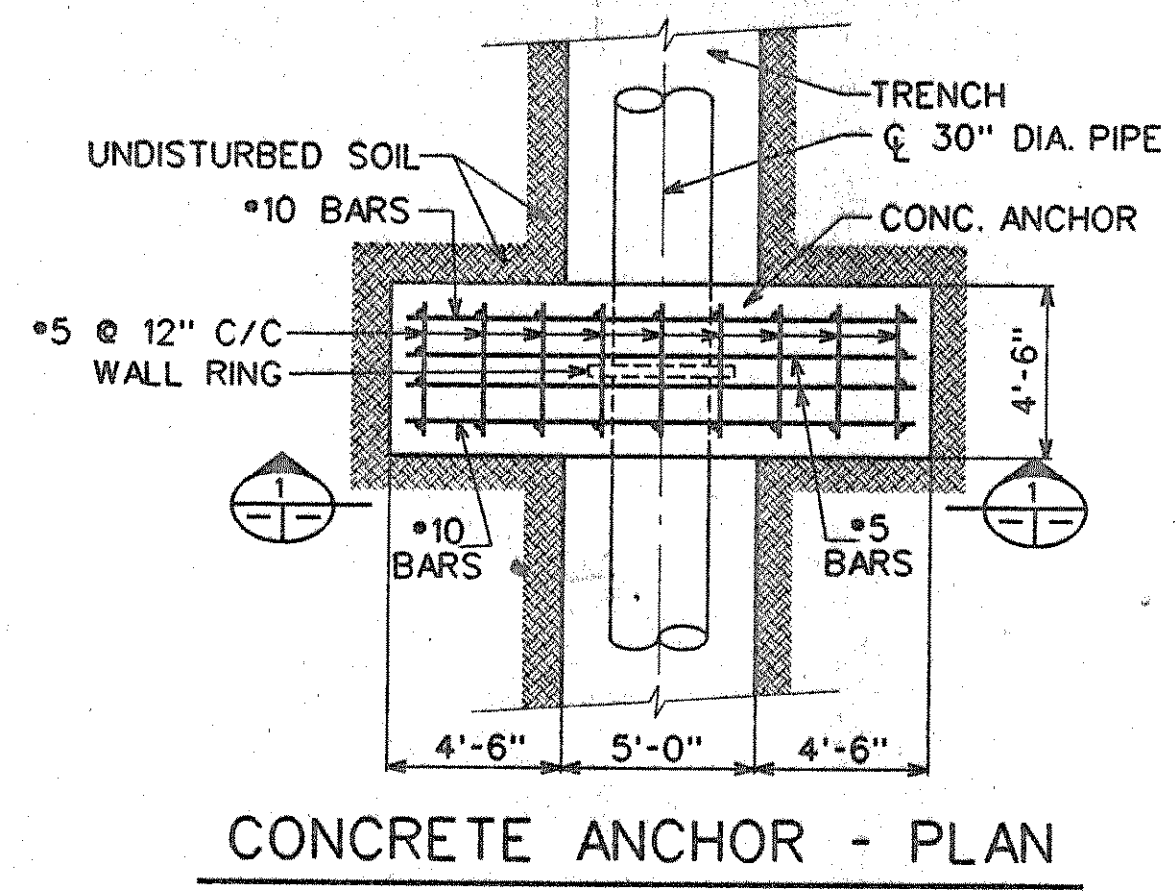
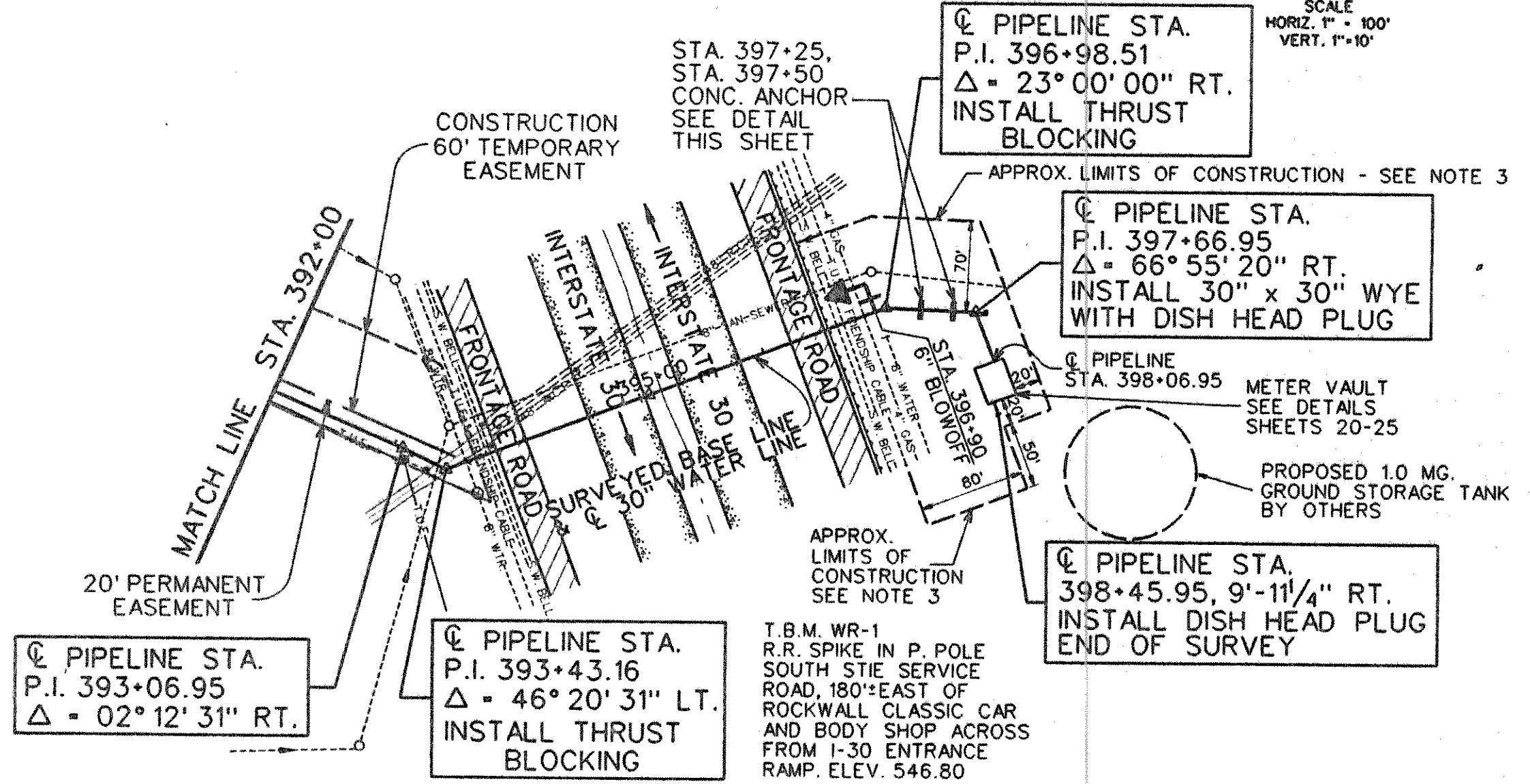


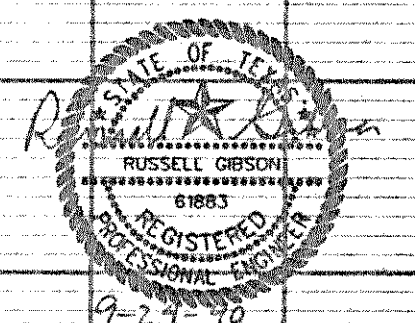
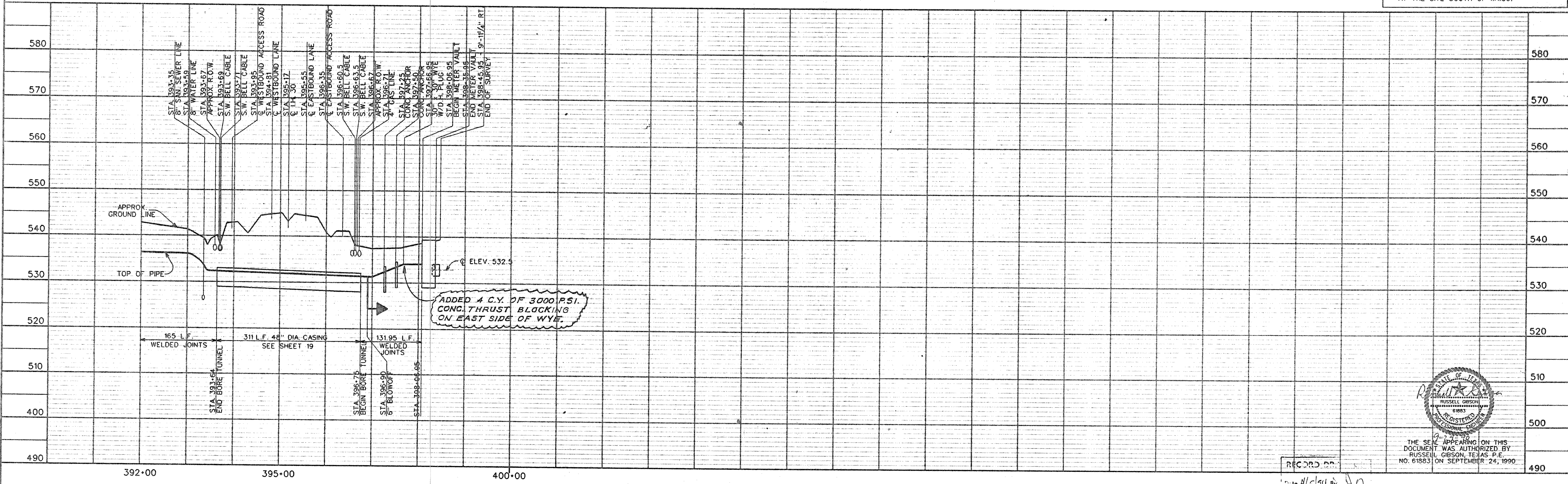
- 392+40 : - 8" SAN. SEWER MANHOLE - 102' LT.
- 393+00 - T.U.E. LINES - 8' RT.
- 393+12 - POWER POLE - 8' RT.
- 393+30 - GUY ANCHOR - 7' RT.
- 393+35 - 8" SAN. SEWER LINE
- 393+37 - HIGH BANK OF DITCH
- 393+43 - DITCH
- 393+50 - HIGH BANK OF DITCH
- 393+55 - SAN. SEWER MANHOLE - 30' LT.
- 393+57 - 8" WATER LINE
- 393+67 - APPROX. R.O.W.
- 393+67 - APPROX. R.O.W. - 26' RT.
- 393+68 - T.U.E. LINES
- 393+68 - FRIENDSHIP CABLE T.V. LINE
- 393+69 - S.W. BELL CABLE
- 393+70 - DITCH
- 393+71 - S.W. BELL CABLE 13' LT.
- 393+72 - S.W. BELL CABLE 13' LT.
- 393+73 - S.W. BELL CABLE 13' LT.
- 393+74 - S.W. BELL CABLE 13' LT.
- 393+75 - S.W. BELL CABLE 13' LT.
- 393+76 - S.W. BELL CABLE 13' LT.
- 393+77 - S.W. BELL CABLE 13' LT.
- 393+78 - S.W. BELL CABLE 13' LT.
- 393+79 - S.W. BELL CABLE 13' LT.
- 393+80 - S.W. BELL CABLE 13' LT.
- 393+81 - S.W. BELL CABLE 13' LT.
- 393+82 - S.W. BELL CABLE 13' LT.
- 393+83 - S.W. BELL CABLE 13' LT.
- 393+84 - S.W. BELL CABLE 13' LT.
- 393+85 - S.W. BELL CABLE 13' LT.
- 393+86 - S.W. BELL CABLE 13' LT.
- 393+87 - S.W. BELL CABLE 13' LT.
- 393+88 - S.W. BELL CABLE 13' LT.
- 393+89 - S.W. BELL CABLE 13' LT.
- 393+90 - S.W. BELL CABLE 13' LT.
- 393+91 - S.W. BELL CABLE 13' LT.
- 393+92 - S.W. BELL CABLE 13' LT.
- 393+93 - S.W. BELL CABLE 13' LT.
- 393+94 - S.W. BELL CABLE 13' LT.
- 393+95 - S.W. BELL CABLE 13' LT.
- 393+96 - S.W. BELL CABLE 13' LT.
- 393+97 - S.W. BELL CABLE 13' LT.
- 393+98 - S.W. BELL CABLE 13' LT.
- 393+99 - S.W. BELL CABLE 13' LT.
- 394+00 - S.W. BELL CABLE 13' LT.



SCALE
HORIZ. 1" = 100'
VERT. 1" = 10'



- NOTE:
1. CONTRACTOR TO VERIFY LOCATION AND DEPTH OF ALL UTILITIES.
 2. LIMITS OF TEMPORARY AND PERMANENT EASEMENTS HAVE NOT BEEN TIED TO SURVEYED BASE LINE. CONTRACTOR SHALL DETERMINE EXACT LIMITS OF EASEMENTS IN THE FIELD AS NECESSARY.
 3. APPROX. LIMITS OF CONSTRUCTION FROM STA. 396+75 TO STA. 398+45.95 SHALL BE AS SHOWN ON THE DRAWINGS. CONTRACTOR SHALL COMPLETE CONSTRUCTION OF CONCRETE METER VAULT 10-FOOT LONG STUBOUT AT STA. 398+35.95 AND BACK-FILL AROUND VAULT PRIOR TO MAY 1, 1991. CONTRACTOR SHALL COORDINATE WITH AND PROVIDE ACCESS FOR OTHER CONTRACTOR AT THE SITE SOUTH OF I.H.30.



THE SEAL APPEARING ON THIS DOCUMENT WAS AUTHORIZED BY RUSSELL GIBSON, TEXAS P.E. NO. 61883 ON SEPTEMBER 24, 1990.

RECORD BOOK

Date 4/5/94 by 40

DESIGNED R.L.G.
DRAWN D.A.N.
TRACED DATE
CHECKED J.W.G. SCALE

NTD88047
SEP. 1990
H. 1"=100'
V. 1"=10'

FREESE AND NICHOLS INC.
CONSULTING ENGINEERS
FORT WORTH - ARLINGTON - AUSTIN, TEXAS

NORTH TEXAS MUNICIPAL WATER DISTRICT
WYLIE - ROCKWALL - FARMERSVILLE PIPELINE

30-INCH PIPELINE
PLAN AND PROFILE
STA. 392+00 TO STA. 398+45.95

SH. 17
OF 28
CF 88-3

45' UNDESIGNED BY DATE 12/28/94 11:28:00 AM 017