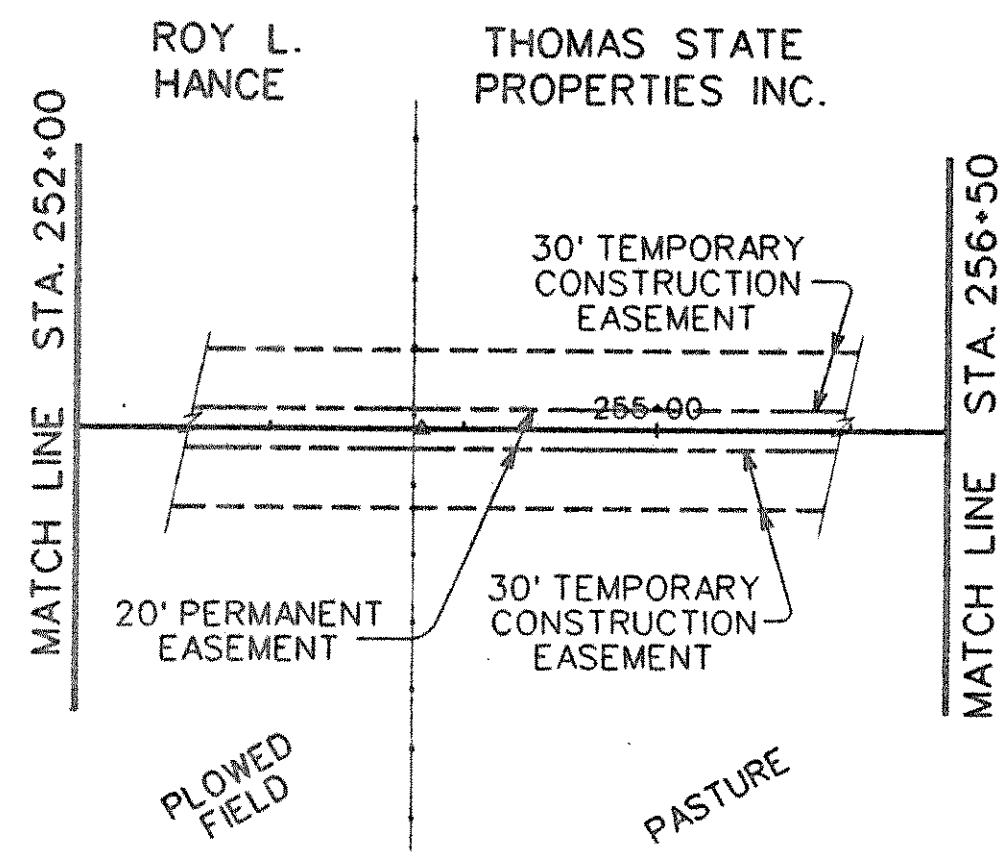




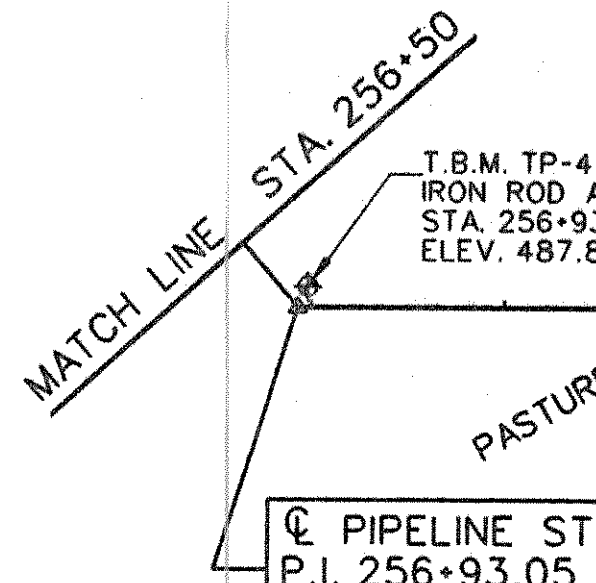
SCALE  
HORIZ. 1" = 100'  
VERT. 1" = 10'

253+73 - CROSS BARBED WIRE FENCE  
255+78.35 - P.O.T.



ROY L. HANCE

THOMAS STATE PROPERTIES INC.



PIPELINE STA.  
P.I. 256+93.05  
Δ = 48° 25' 36" L.T.

STA. 259+45  
6" BLOWOFF

STA. 259+13  
6" BLOWOFF

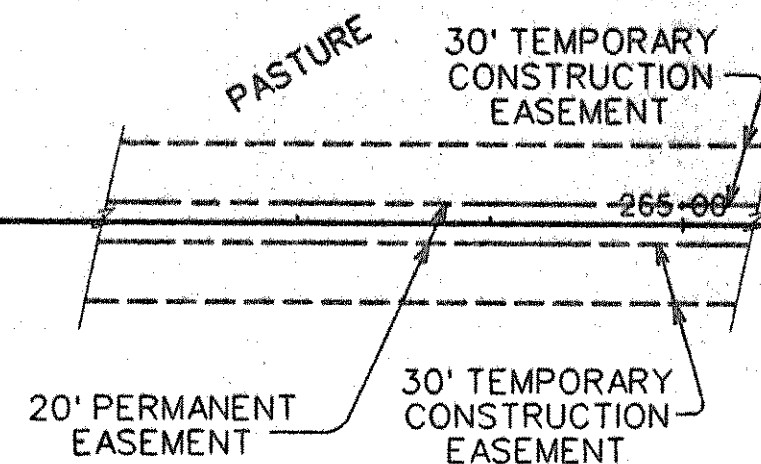
259+53 - EDGE OF WATER  
260+03 - EDGE OF WATER  
260+34 - ENTER WOODED AREA  
260+100 TO 261+00  
261+00 TO 262+00  
4" RT. 36" PECAN  
261+35 - ENTER OPEN PASTURE

MOVED & 31' NORTH  
260+100 TO 261+00  
261+00 TO 262+00  
4" RT. 36" PECAN

261+35 - ENTER OPEN PASTURE

265+97 - CROSS BARBED WIRE FENCE  
266+26 - TOE OF DAM  
266+47 - TOP OF DAM  
266+52.01 - TOP OF DAM  
268+79 - EDGE OF WATER

THOMAS STATE PROPERTIES INC.



268+81 - EDGE OF WATER

271+45  
APPROX. LOCATION 12" LONE STAR GAS LINE  
GAS LINE NO. 0-12

270+49 - CROSS DOWNED BARBED WIRE FENCE

SURVEYED BASE LINE & Q 30" WATER LINE

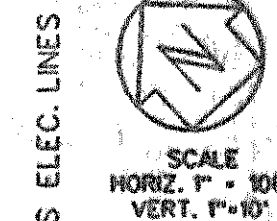
T.B.M. BK-15  
R.R. SPIKE IN  
16" HACKBERRY  
STA. 275+50, 115' LT.  
ELEV. 523.62

276+54  
3" AIR VALVE

276+33  
4" LONE STAR GAS PIPELINE (NO. 0-14)

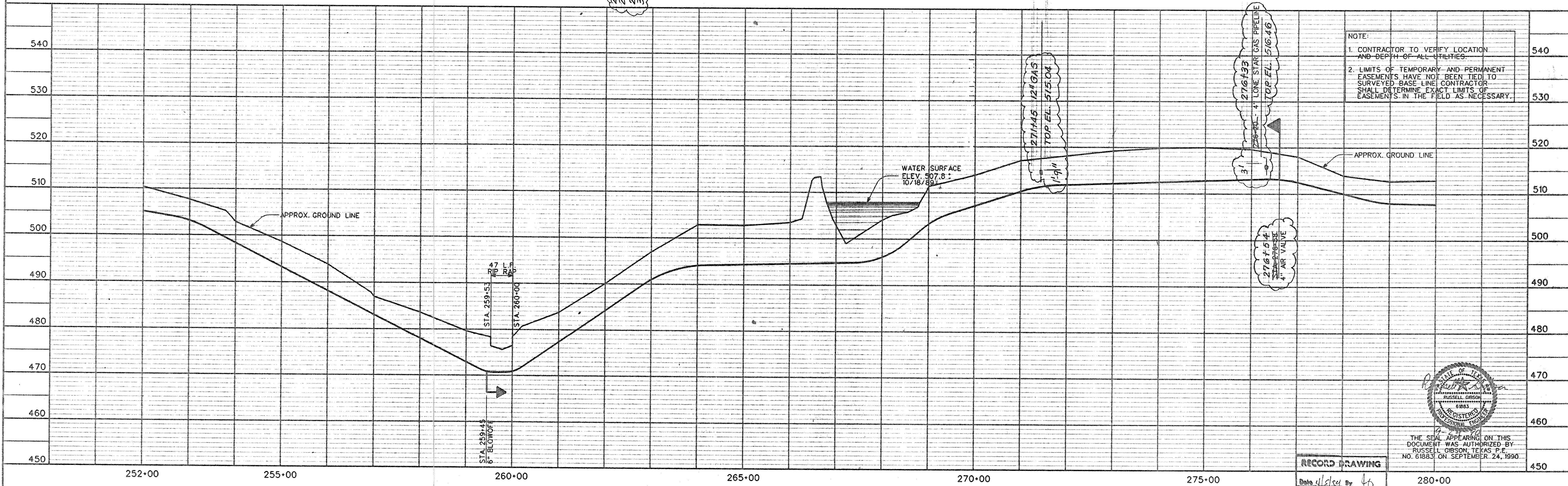
276+62 - CROSS BARBED WIRE FENCE  
276+62 - ENTER PLOWED FIELD

277+27.15 - P.O.T.

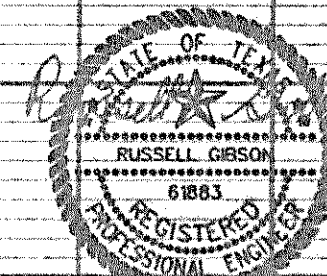


SCALE  
HORIZ. 1" = 100'  
VERT. 1" = 10'

279+74 - 2 - FARMERS ELEC. LINES



NOTE:  
1. CONTRACTOR TO VERIFY LOCATION AND DEPTH OF ALL UTILITIES.  
2. LIMITS OF TEMPORARY AND PERMANENT EASEMENTS HAVE NOT BEEN TIED TO SURVEYED BASE LINE. CONTRACTOR SHALL DETERMINE EXACT LIMITS OF EASEMENTS IN THE FIELD AS NECESSARY.



THE SEAL APPEARING ON THIS DOCUMENT WAS AUTHORIZED BY RUSSELL GIBSON, TEXAS P.E. NO. 61883 ON SEPTEMBER 24, 1990.

RECORD DRAWING

Date *11/24/90* By *JG*

DESIGNED R.L.G.  
DRAWN D.A.N.  
TRACED DATE  
CHECKED J.W.G. SCALE

JOB NO. NT088047  
DATE SEP. 1990  
SCALE H. 1"=100'  
V. 1"=10'

FREASE AND NICHOLS INC.  
CONSULTING ENGINEERS  
FORT WORTH - ARLINGTON - AUSTIN, TEXAS

NORTH TEXAS MUNICIPAL WATER DISTRICT  
WYLIE - ROCKWALL - FARMERSVILLE PIPELINE

30-INCH PIPELINE  
PLAN AND PROFILE  
STA. 252+00 TO STA. 280+00

CF 88-3

SH. 12  
OF 28