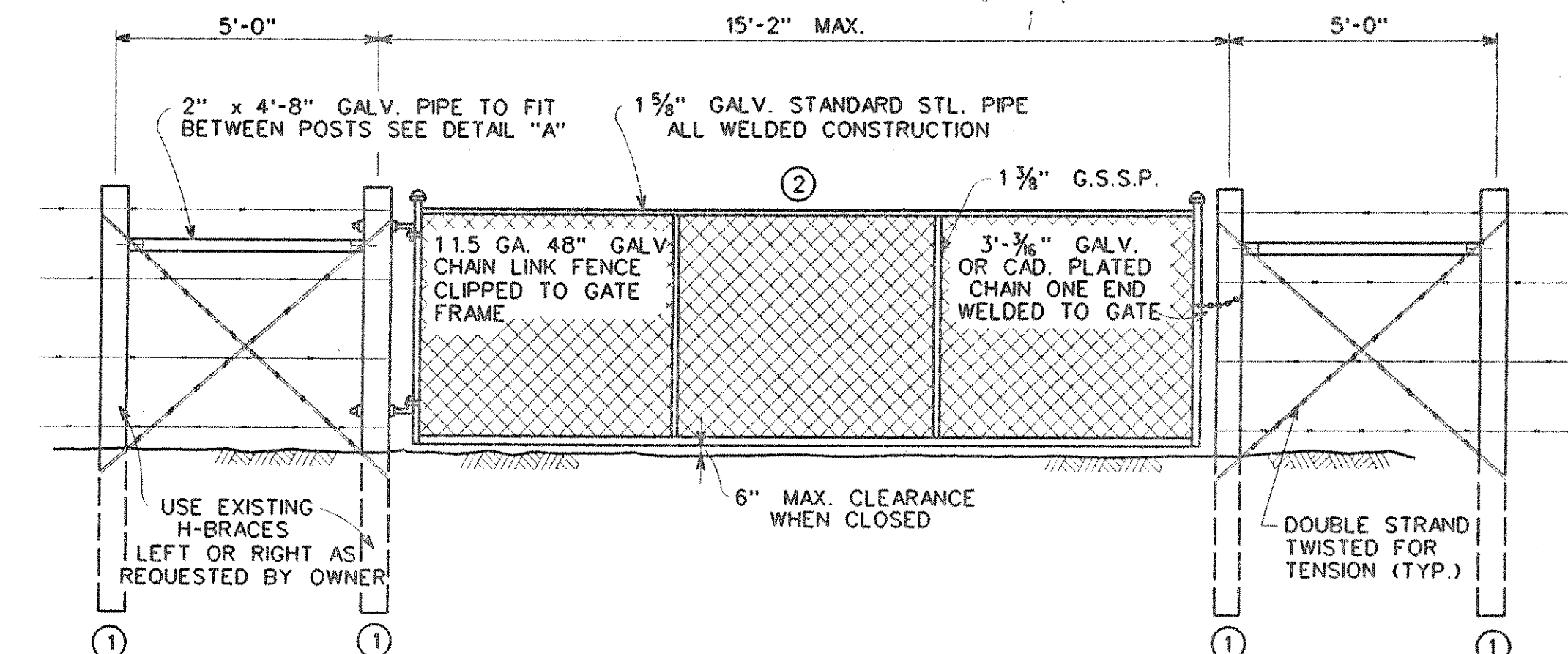
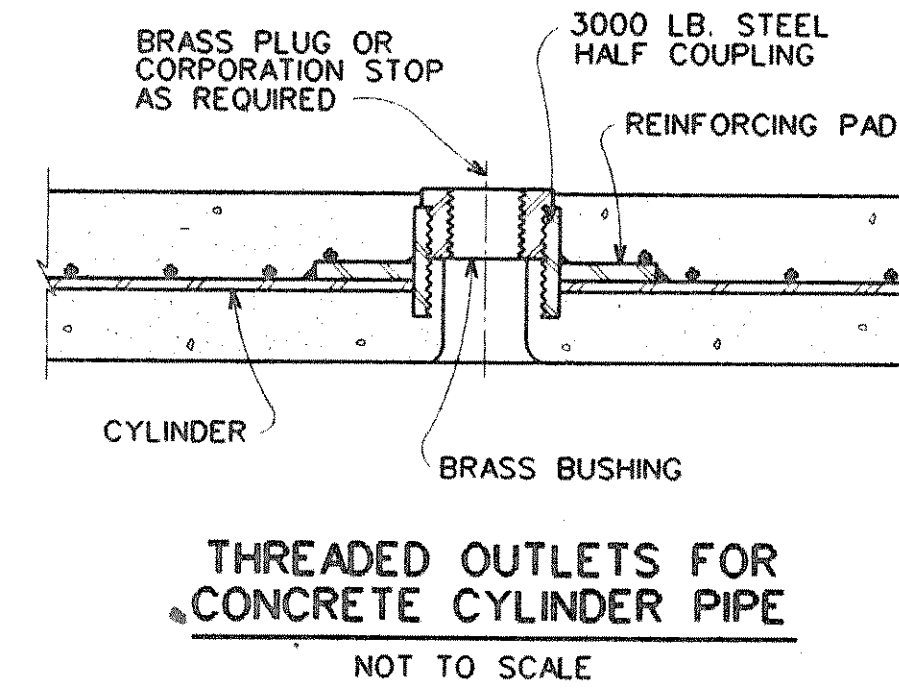
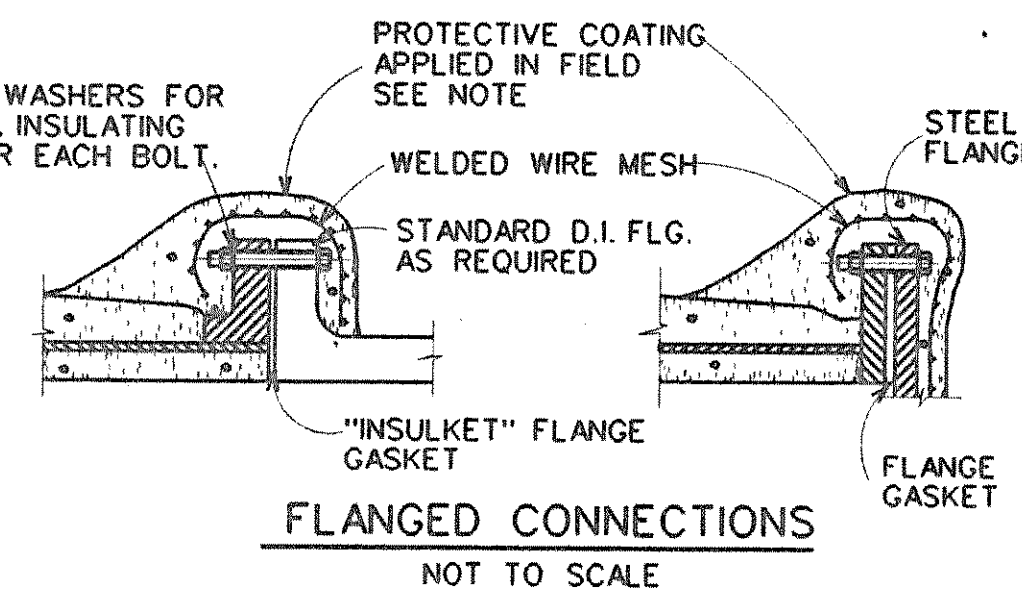
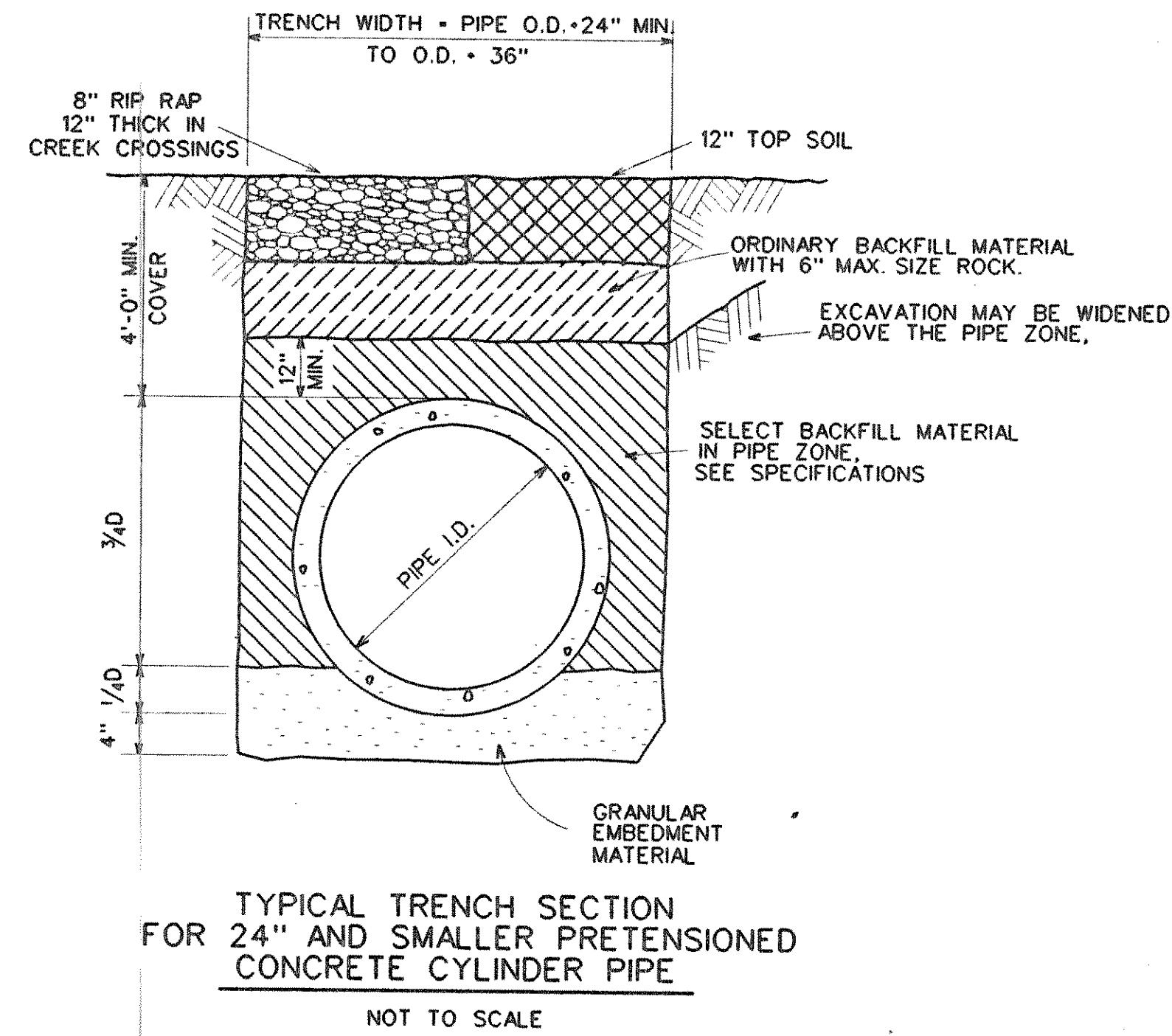
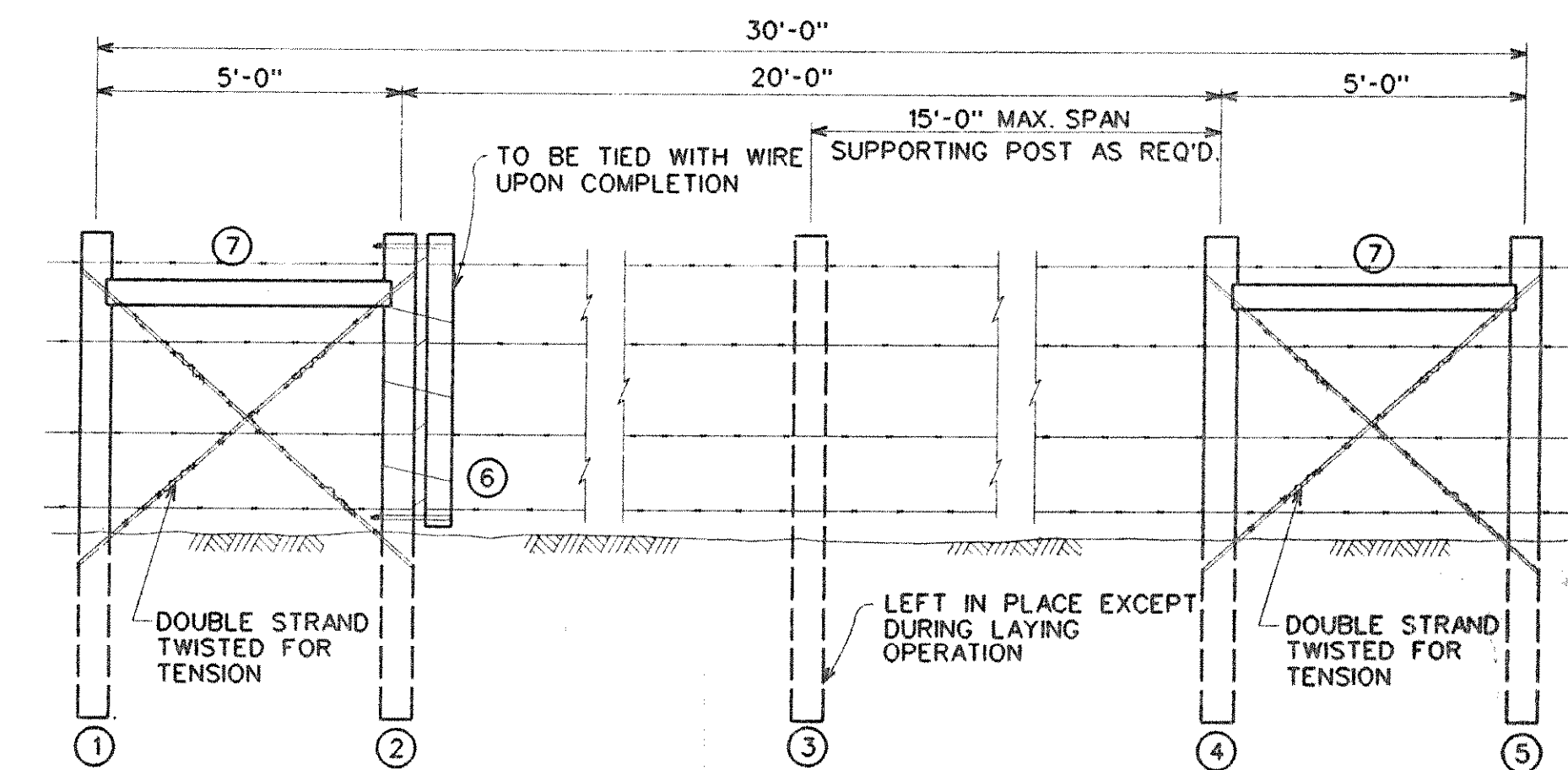


TYPICAL CONCRETE CYLINDER PIPE CLOSURE DETAILS



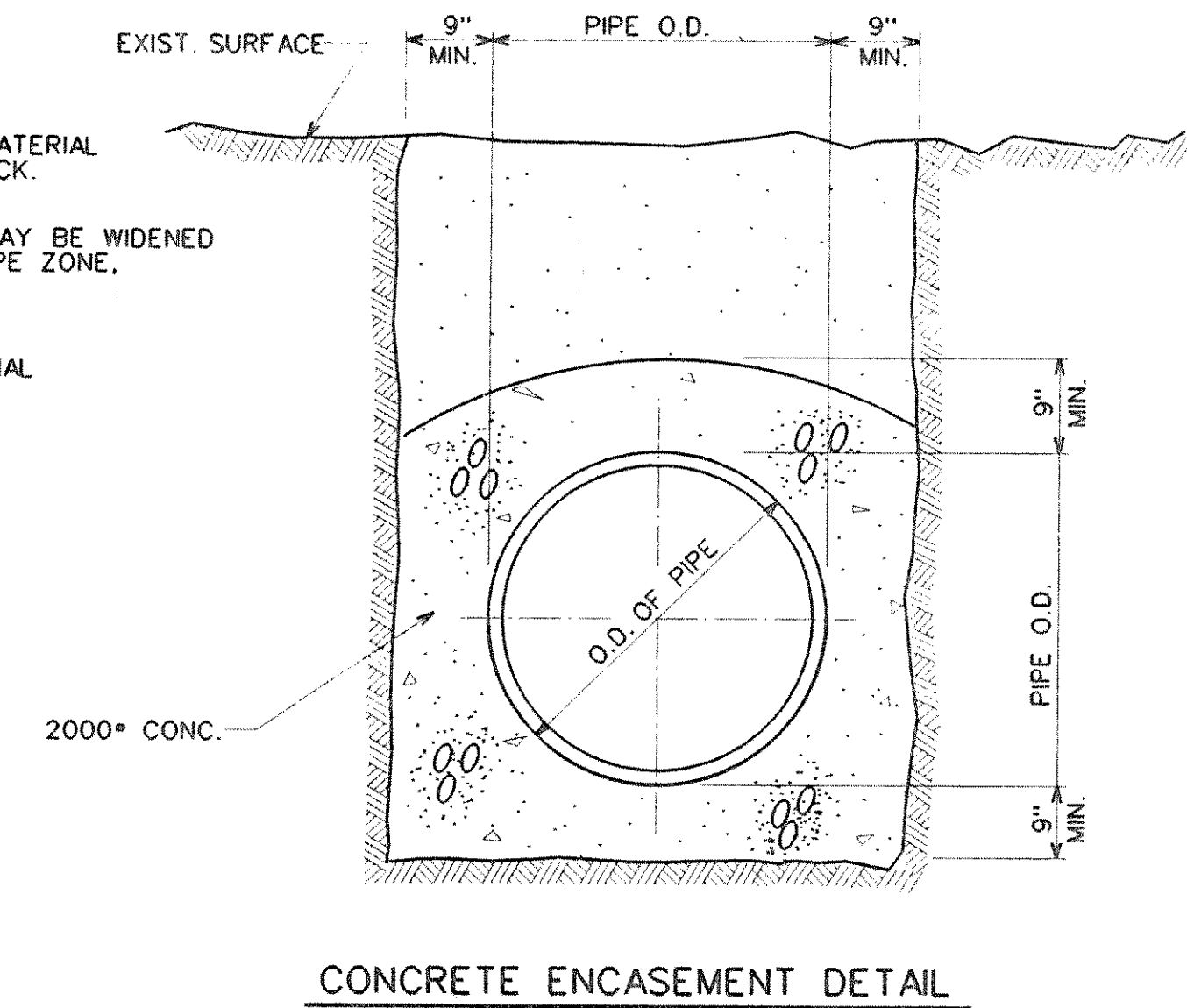
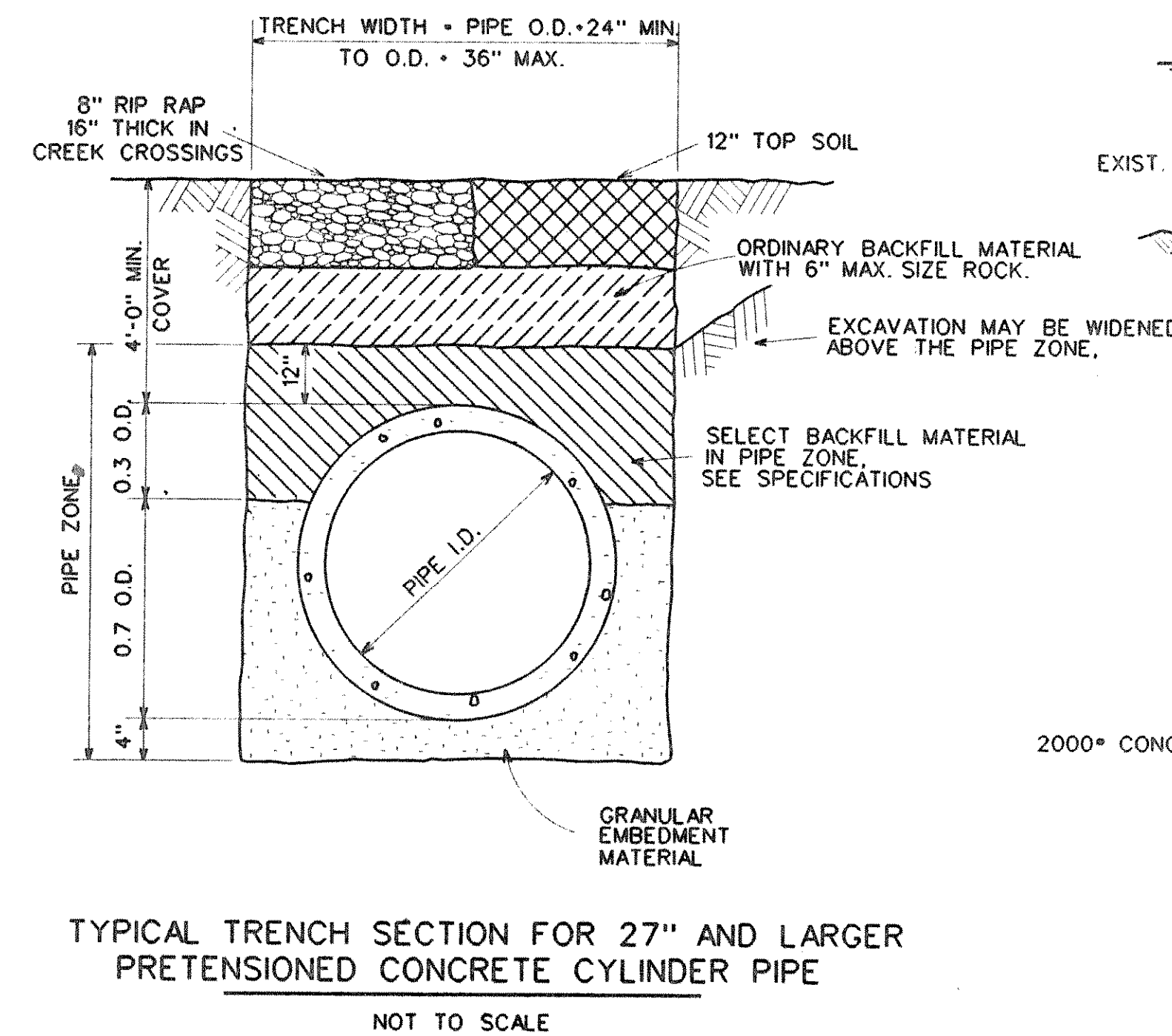
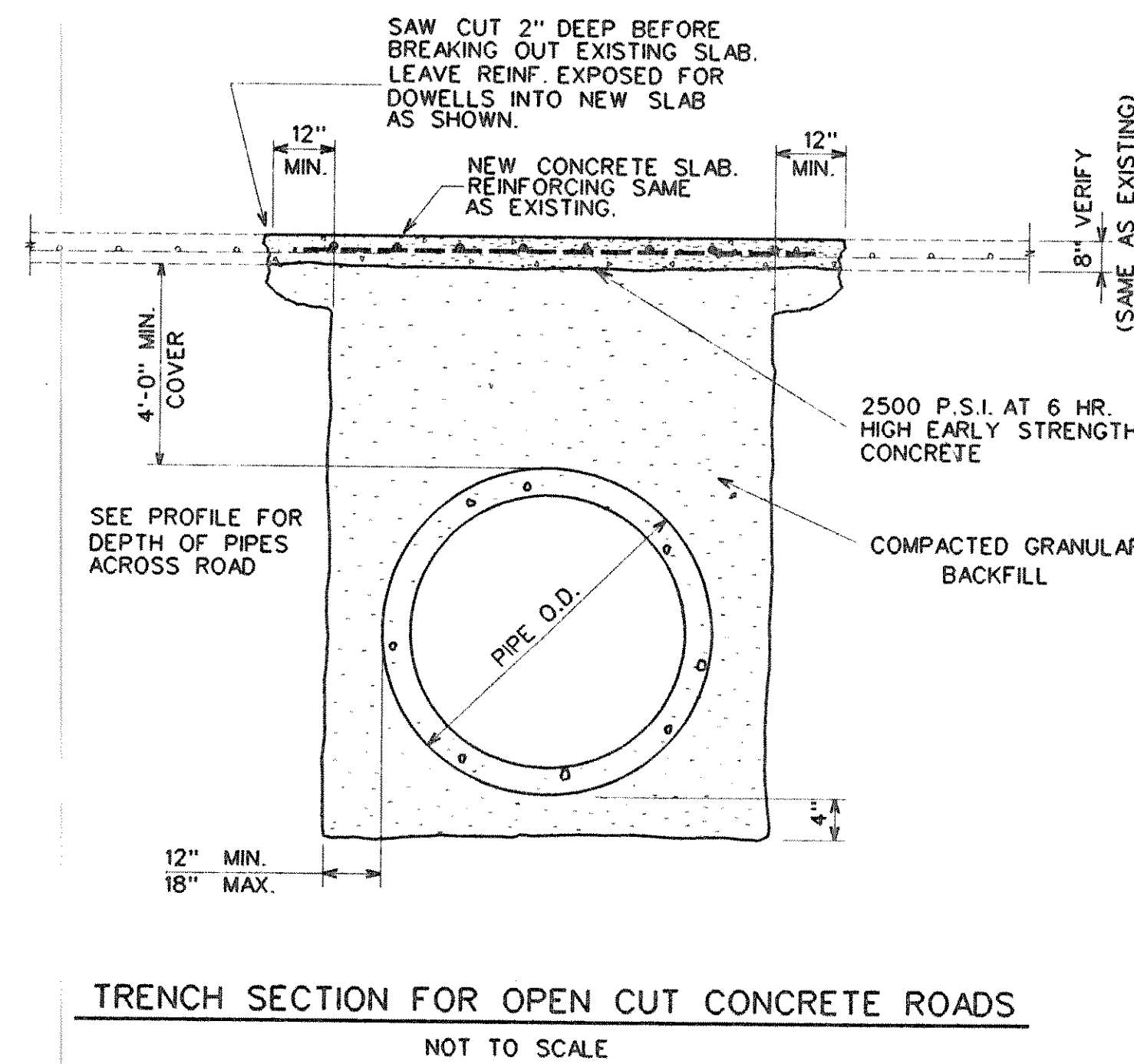
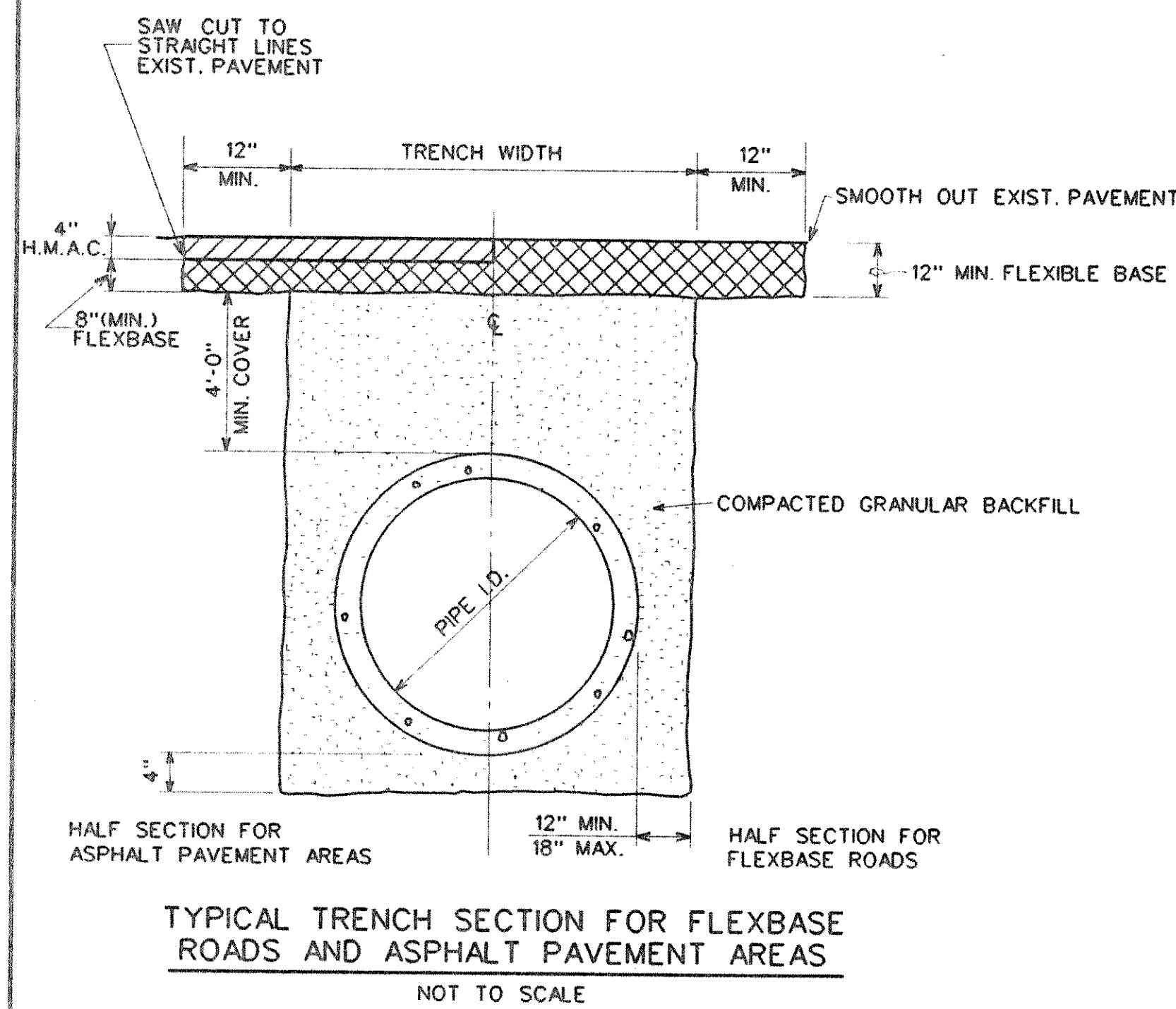
MATERIAL DESCRIPTION  
NO. 1 6" x 8" CREOSOTED OR CEDAR POST  
NO. 2 4'-0" x 14'-0" GALVANIZED STEEL GATE WITH 2 - 3/4" x 10" BOLT HANGERS  
GATES SHALL BE CHAINED AND LOCKED WITH MASTER NUMBER AS DESIGNATED BY OWNER. LOCKS SHALL BE KEYPED ALIKE.

DETAIL "A"



MATERIAL DESCRIPTION  
NO. 1, 2, 3, 4, & 5 6" TIP x CREOSOTED OR CEDAR POST x 8'  
NO. 6 5" x 5" CREOSOTED OR CEDAR POST x 4'  
NO. 7 5" x 5" CREOSOTED OR CEDAR POST x 5'  
WIRE 12 1/2 GAGE-4 POINT GALV. BARBED WIRE

TEMPORARY GATE FOR BARBED WIRE FENCE



RECORD DRAWING  
Date 11/6/90 By J.D.



THE SEAL APPEARING ON THIS DOCUMENT WAS AUTHORIZED BY RUSSELL GIBSON, TEXAS P.E. NO. 61883 ON SEPTEMBER 24, 1990

MS\NORS\WORTHY  
C:\NTD88047\NTD88047.028

DESIGNED R.L.G.  
DRAWN D.A.N.  
TRACED J.W.G.  
CHECKED J.W.G.

JOB NO. NTD88047  
DATE SEP. 1990  
SCALE

FRESE AND NICHOLS INC.  
CONSULTING ENGINEERS  
FORT WORTH - AUSTIN, TEXAS

NORTH TEXAS MUNICIPAL WATER DISTRICT  
WYLIE - ROCKWALL - FARMERSVILLE PIPELINE

PIPELINE APPURTENANCES

SH. 28

OF 28

CF 88-3