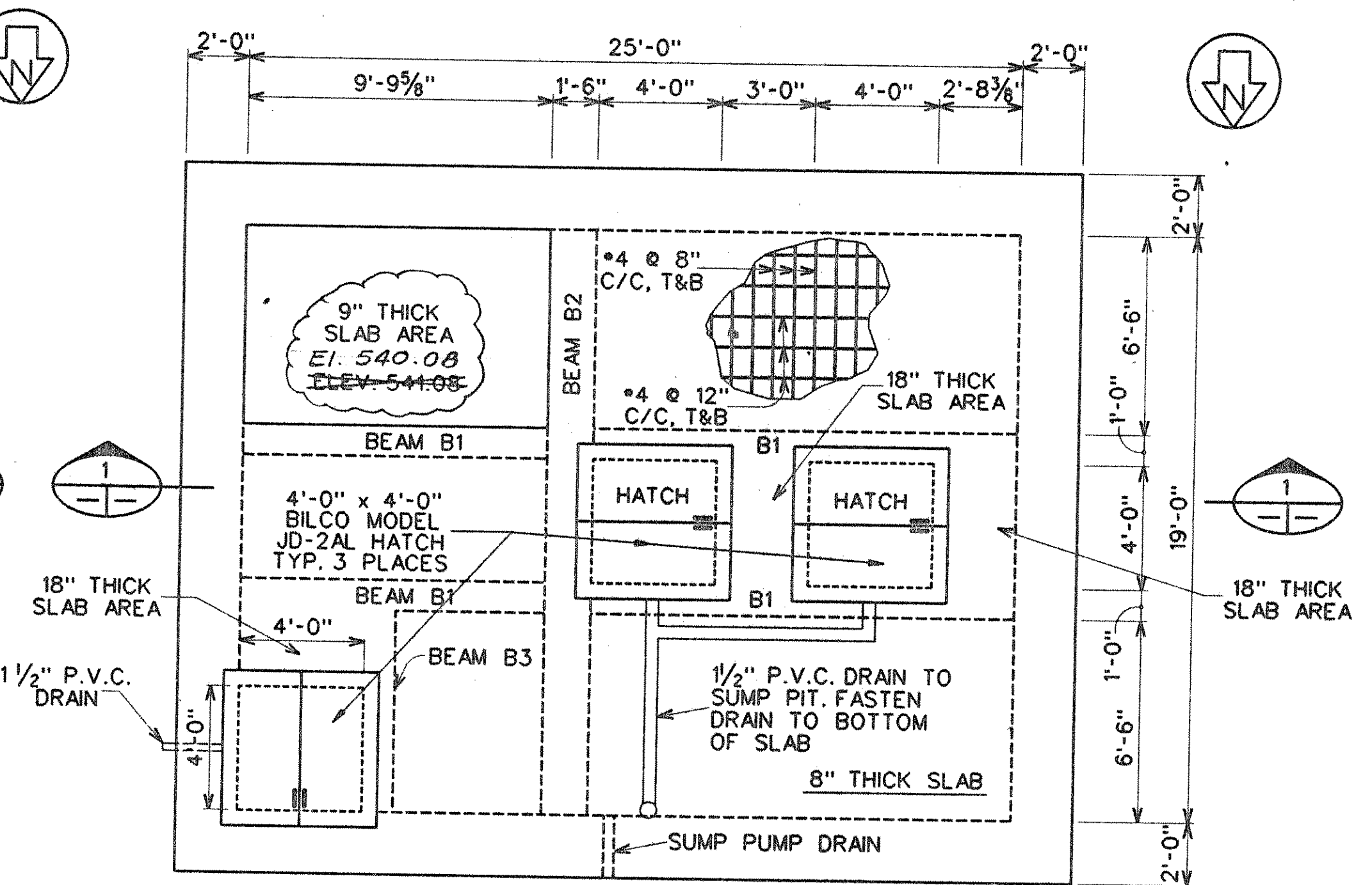
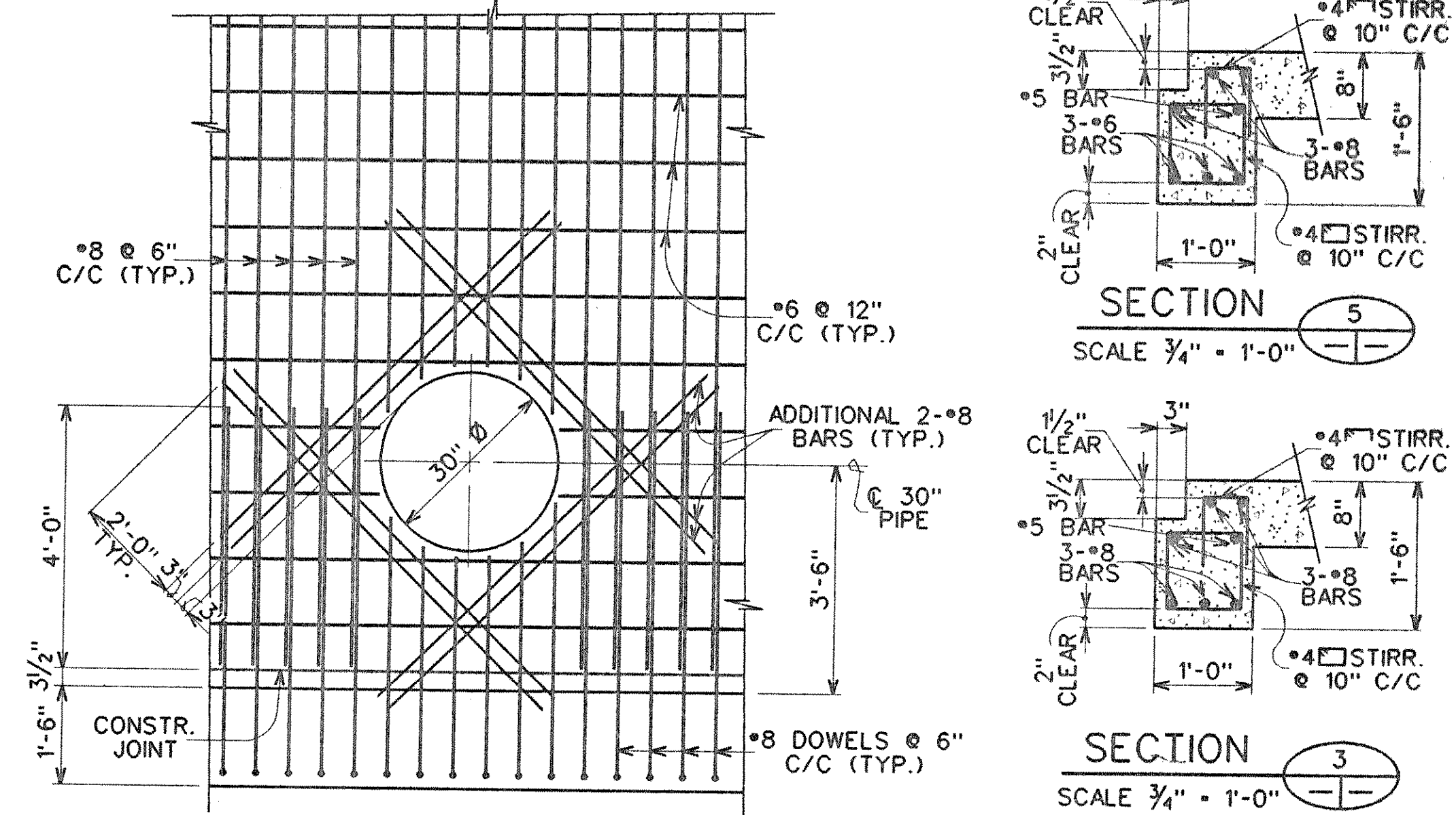


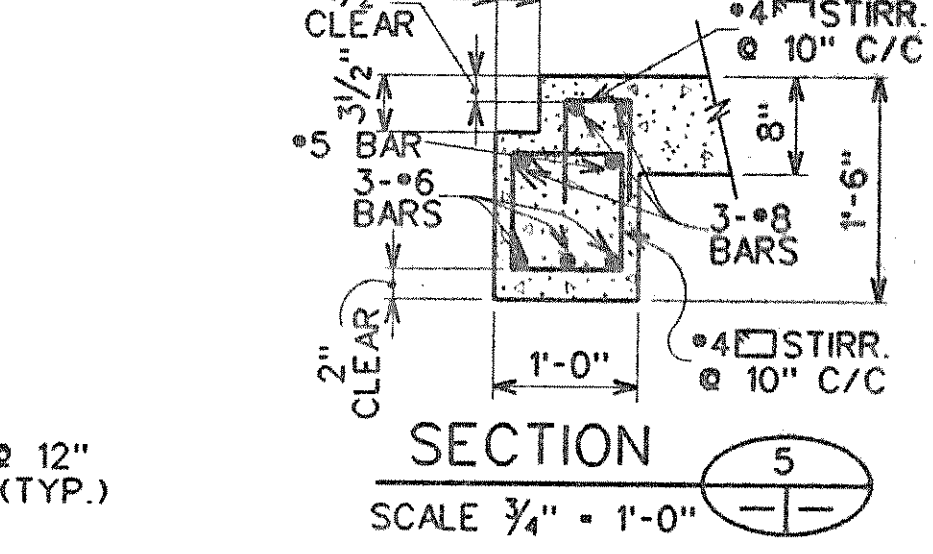
SECTIONAL PLAN  
SCALE 1/4" = 1'-0"



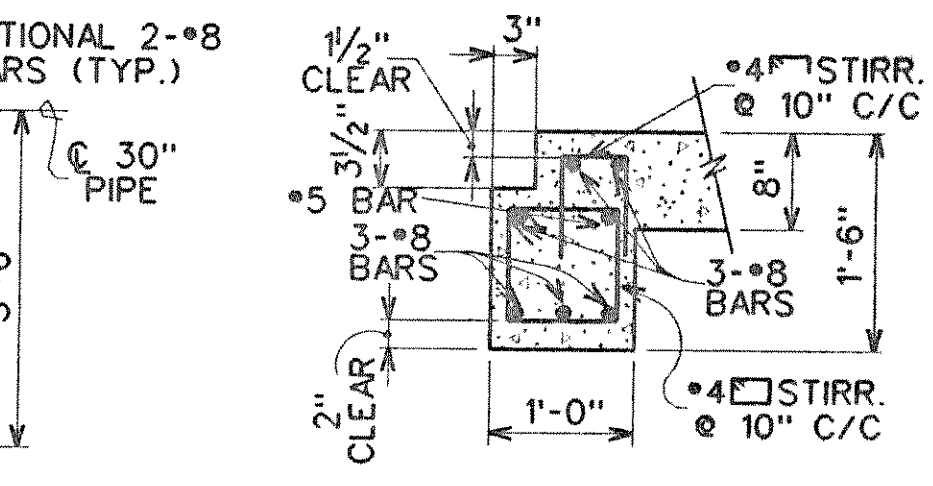
TOP PLAN  
SCALE 1/4" = 1'-0"



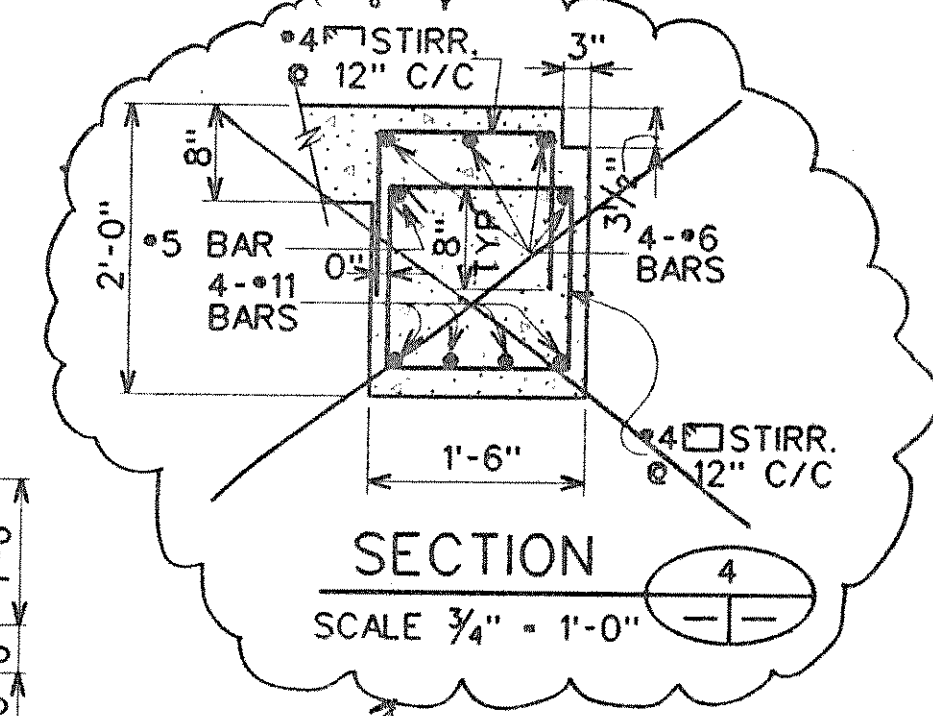
REINFORCING AT PIPE OPENING  
SCALE 1/2" = 1'-0"



SECTION 5  
SCALE 3/4" = 1'-0"

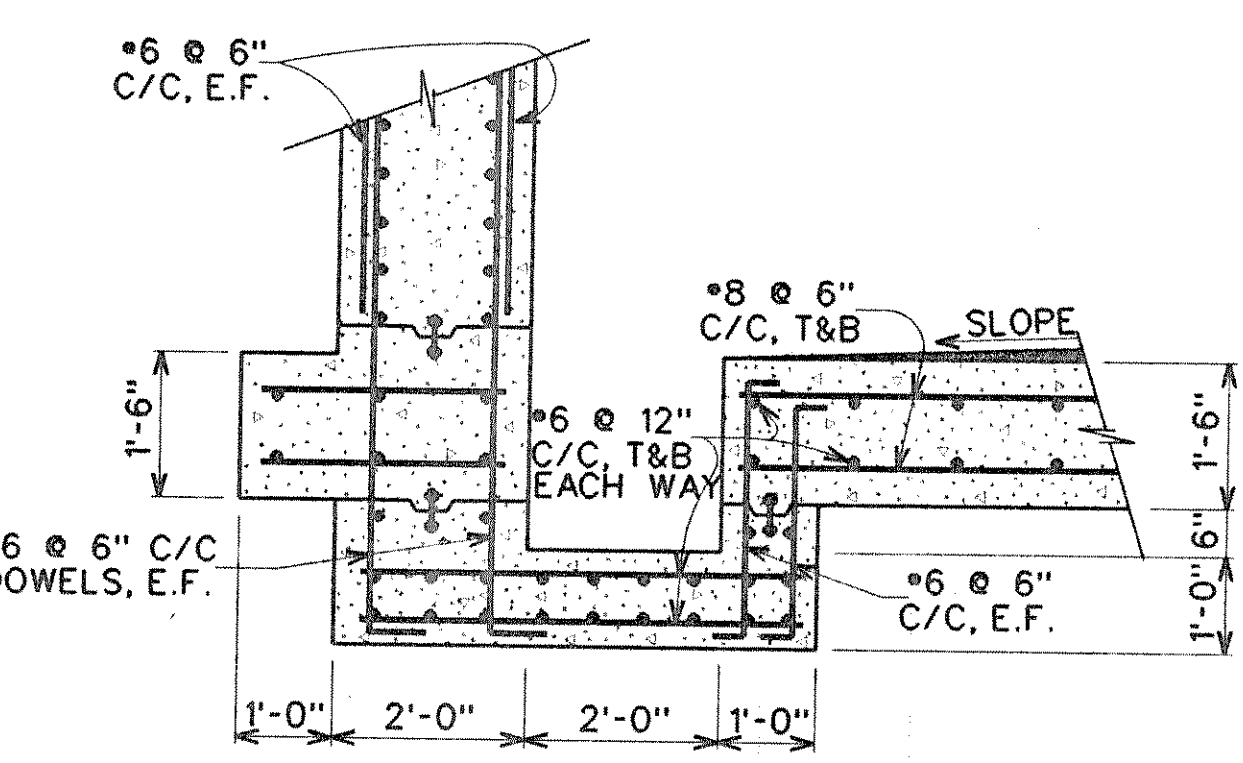


SECTION 3  
SCALE 3/4" = 1'-0"

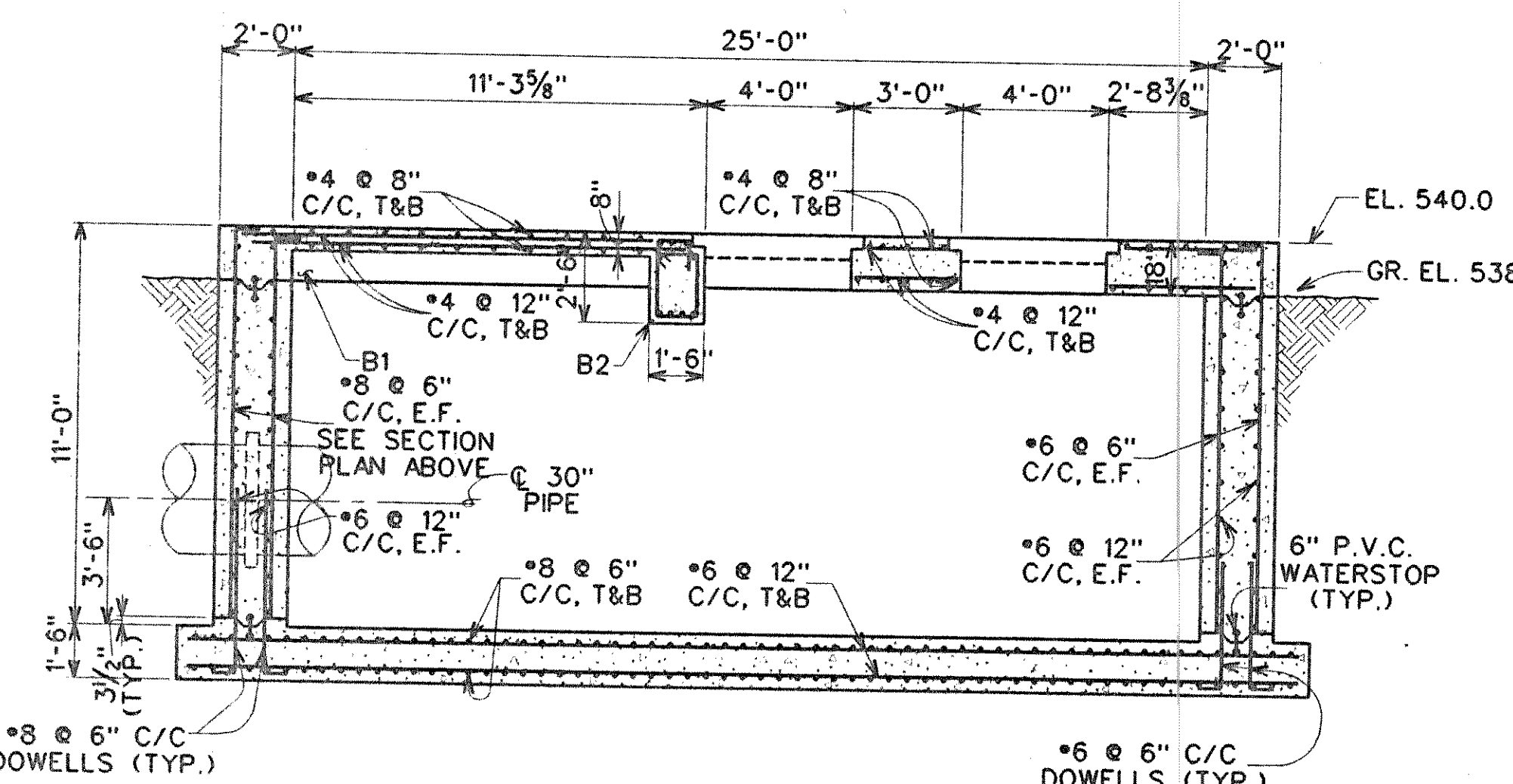


SECTION 4  
SCALE 3/4" = 1'-0"

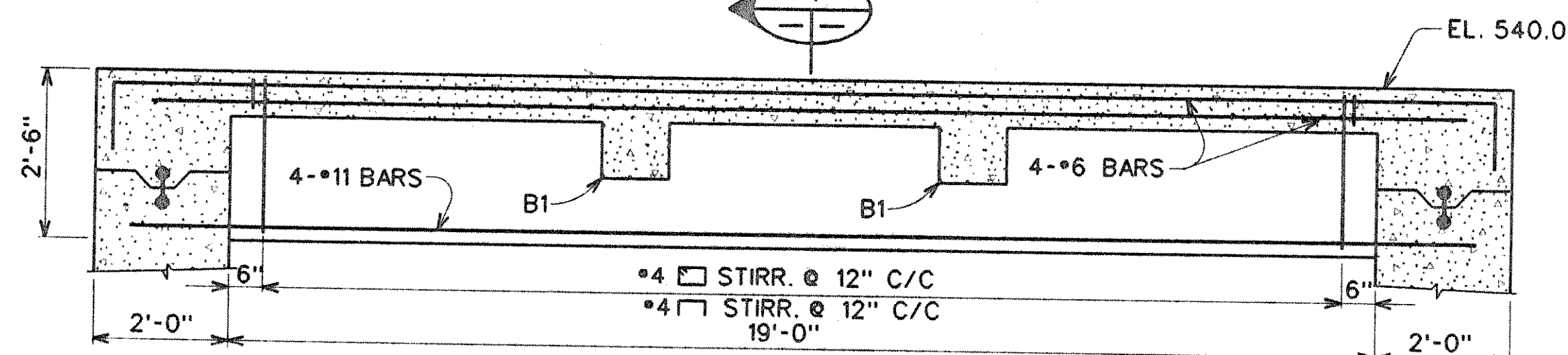
VOID SEE ADD. NO. 2  
SHT. 28A.



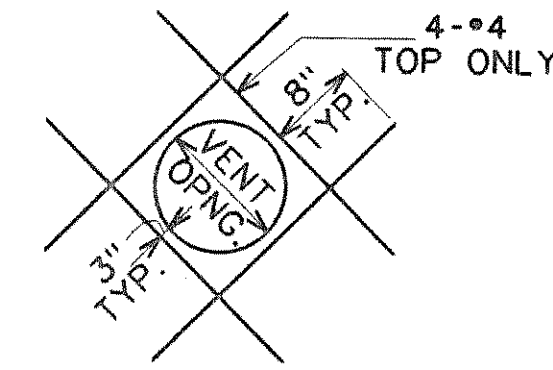
SECTION 2  
SCALE 1/2" = 1'-0"



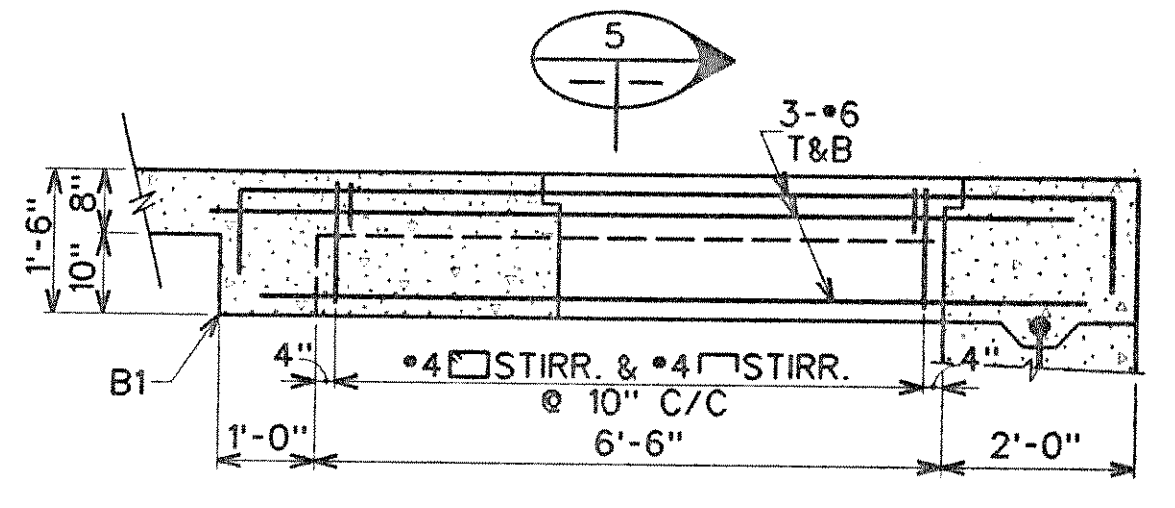
SECTION 1  
SCALE 1/4" = 1'-0"



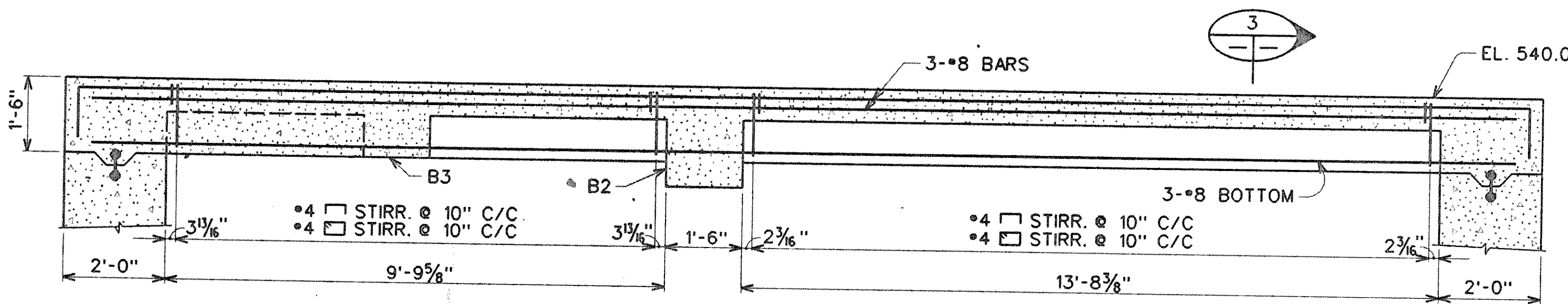
ELEVATION BEAM B2  
SCALE 1/2" = 1'-0"



ADDITIONAL REINFORCING AT VENT OPENING  
SEE SHEET 25 FOR LOCATION  
NO SCALE



ELEVATION BEAM B3  
SCALE 1/2" = 1'-0"



ELEVATION BEAM B1  
SCALE 1/2" = 1'-0"

RECORD DRAWING  
Date 11/24/94 By J.D.



THE SEAL APPEARING ON THIS DOCUMENT WAS AUTHORIZED BY ANTONIO DIAZ, TEXAS P.E. NO. 32713 ON SEPTEMBER 24, 1990

DESIGNED	Y.K.	JOB NO.	INT088047
DRAWN	D.A.N.	DATE	SEP. 1990
TRACED		SCALE	AS NOTED
CHECKED	Y.K.		

FREESE AND NICHOLS INC.  
CONSULTING ENGINEERS  
FORT WORTH - ARLINGTON - AUSTIN, TEXAS

NORTH TEXAS MUNICIPAL WATER DISTRICT  
WYLIE - ROCKWALL - FARMERSVILLE PIPELINE

METER VAULT - STRUCTURAL

SH. 21  
OF 28