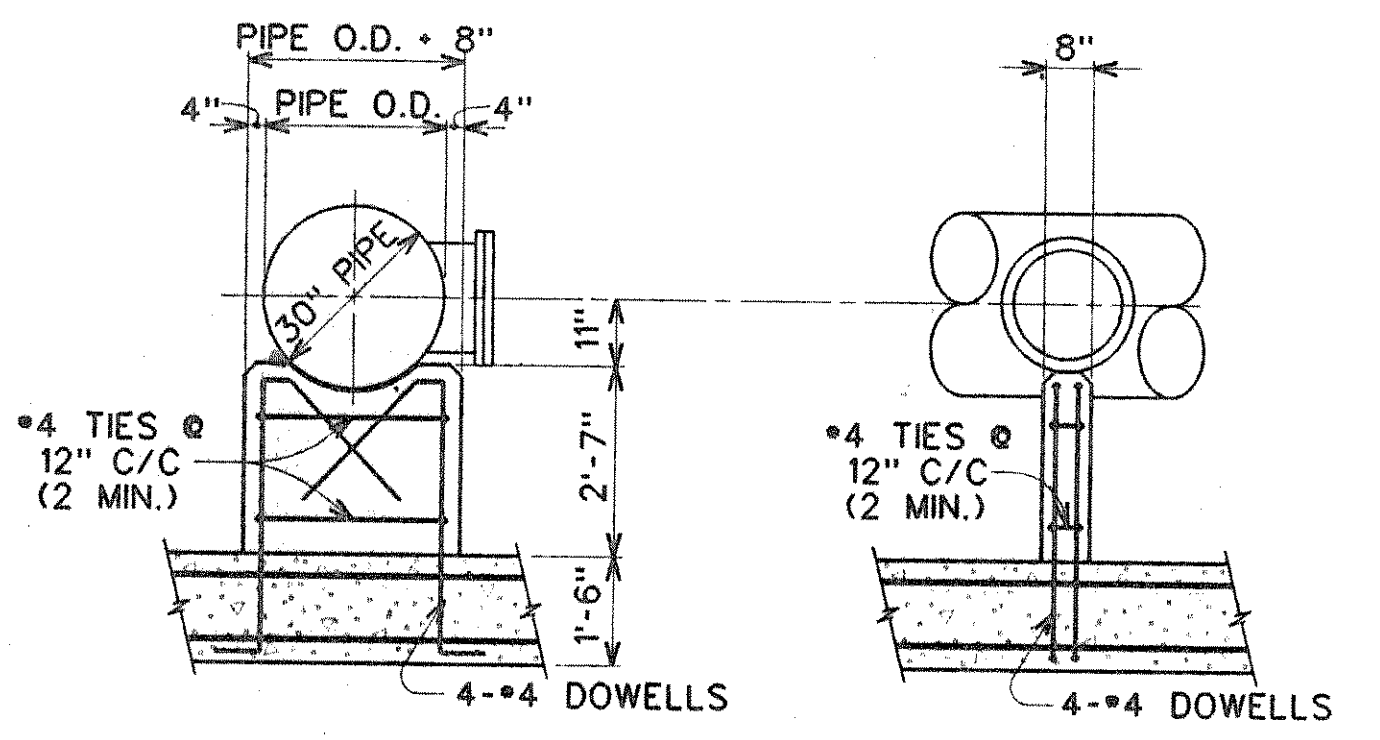
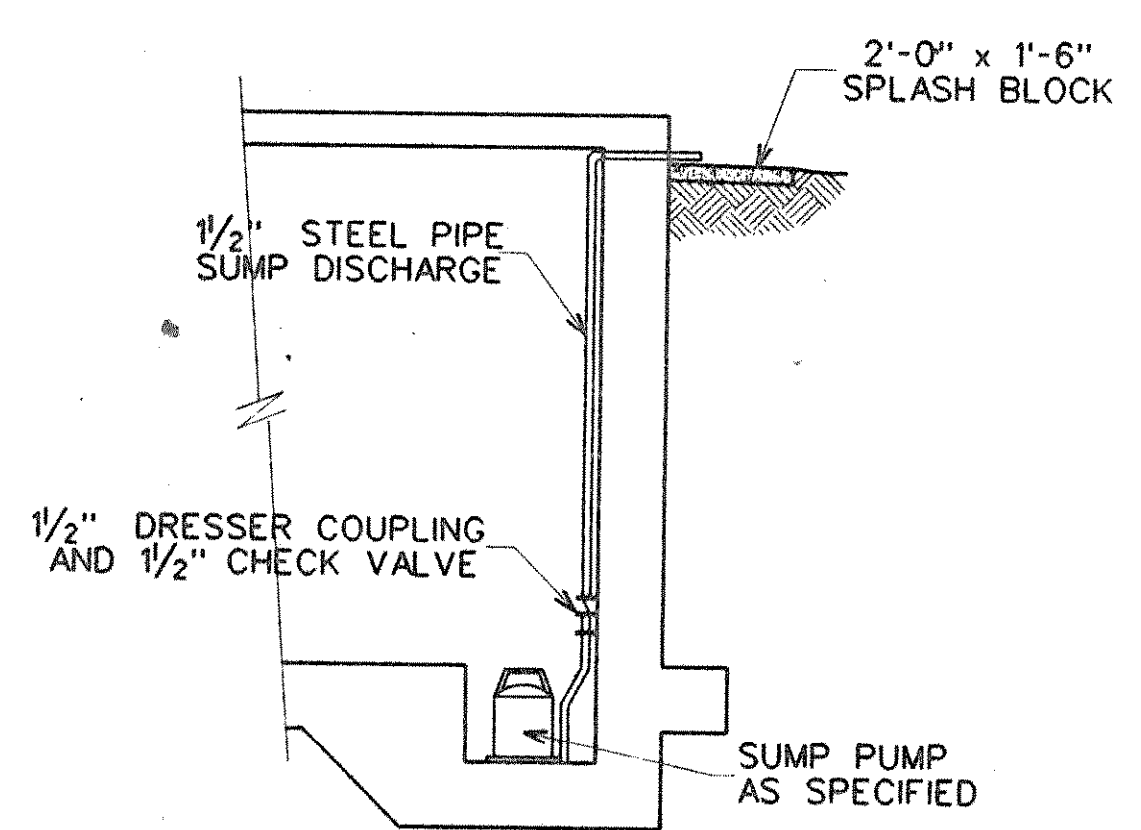


METER VAULT - PLAN
SCALE 3/8" = 1'-0"



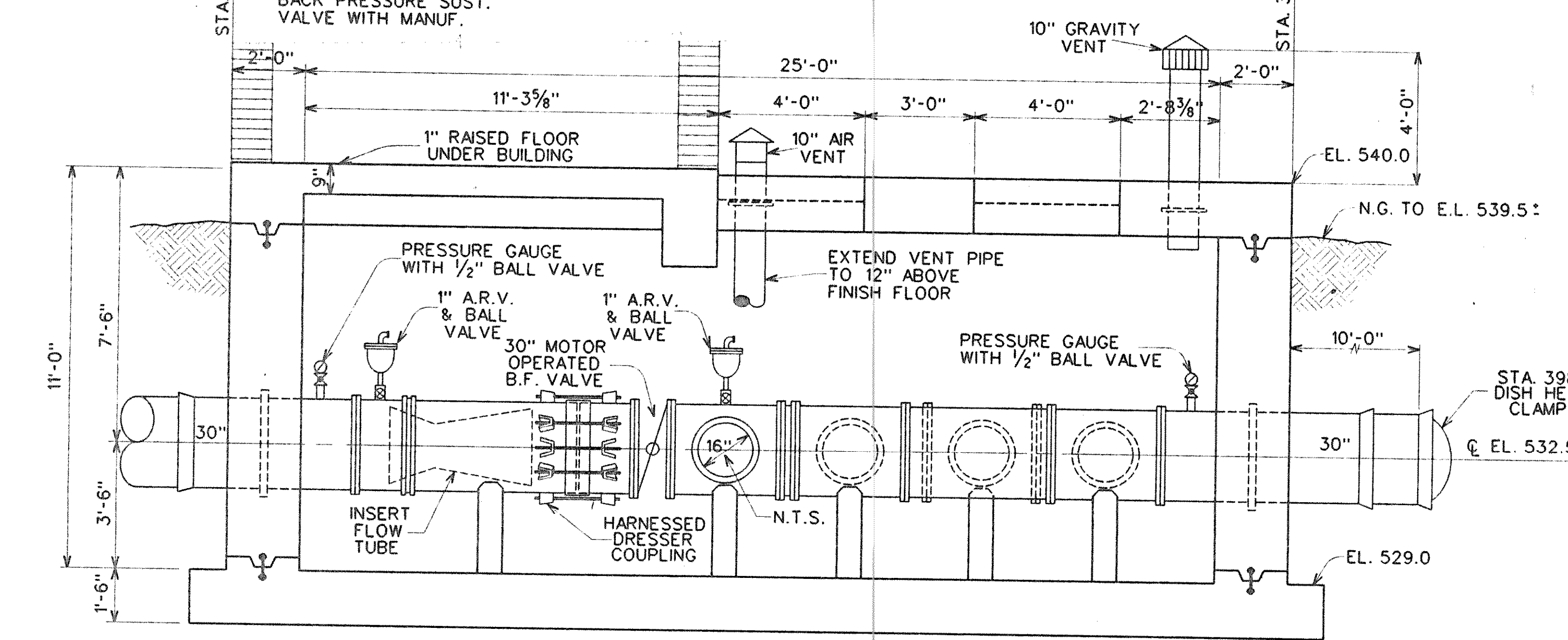
NOTE:
CAST SUPPORTS AROUND OR SET
PIPE IN 1" NON-SHRINK GROUT.
WORK CONCRETE OR GROUT
THOROUGHLY BELOW UNDERSIDE
OF PIPE. USE SAME CLASS OF
CONCRETE AS FOR FLOOR SLAB.

TYPICAL PIPE SUPPORT
SCALE 3/8" = 1'-0"

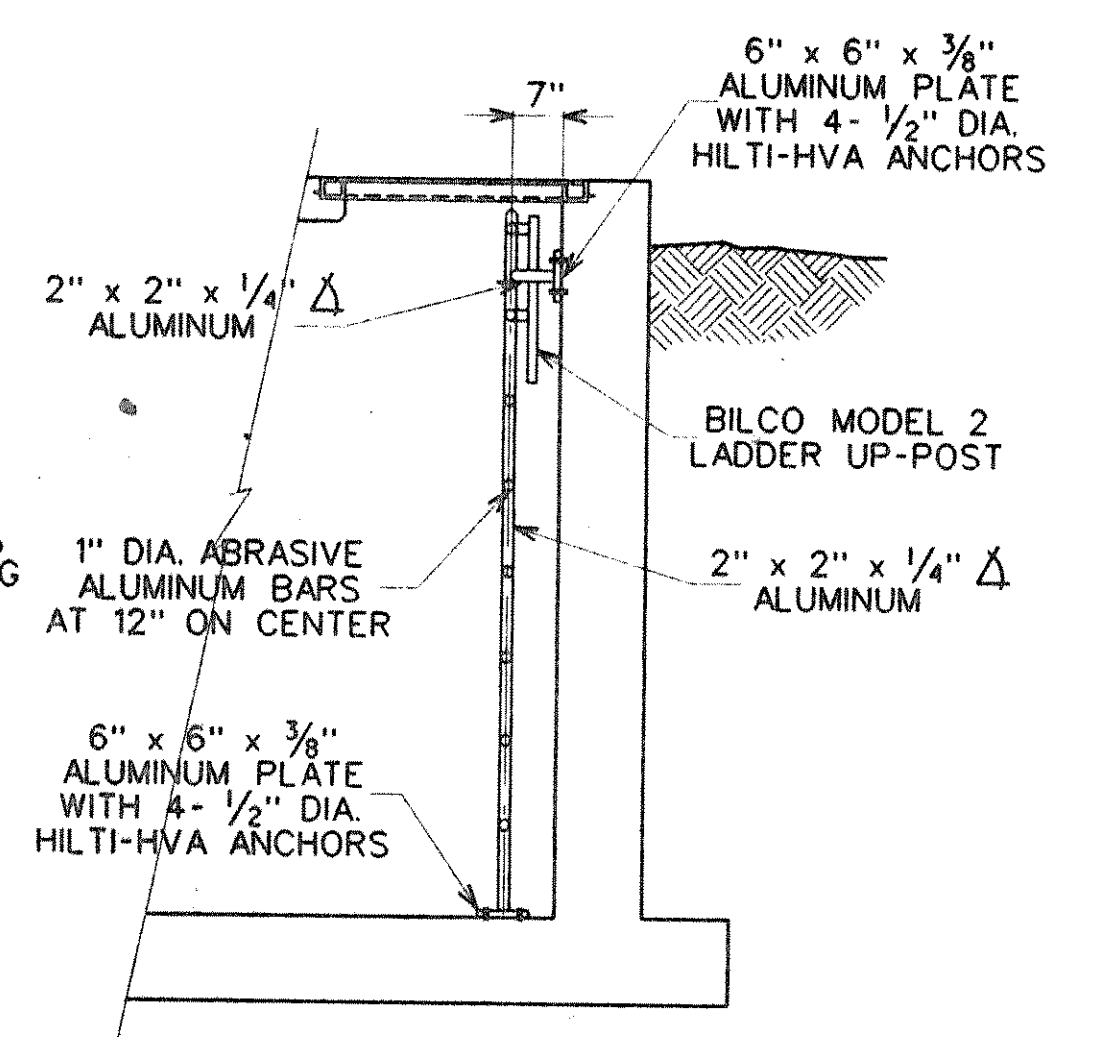


SUMP PUMP DETAIL
NOT TO SCALE

NOTE:
CONTRACTOR SHALL
VERIFY DIMENSIONS OF
BACK PRESSURE SUST.
VALVE WITH MANUF.



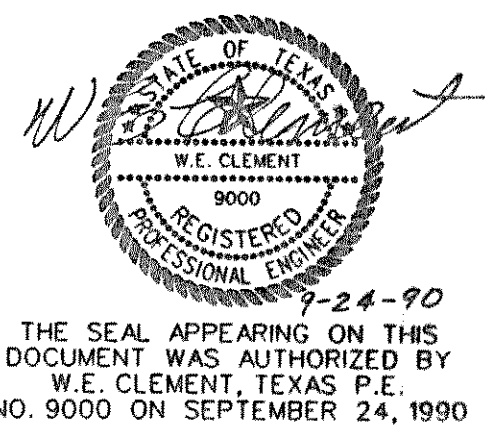
METER VAULT - SECTION
SCALE 3/8" = 1'-0"



LADDER DETAIL
NOT TO SCALE

RECORD DRAWING
Date 4/15/94 By JLB

- NOTE :
1. ALL PIPE AND FITTINGS TO BE MINIMUM CLASS 175 P.S.I.
 2. CONTRACTOR TO RESTORE SITE TO EXISTING CONTOURS



DESIGNED	W.E.C.	JOB NO.	NTD88047
DRAWN	D.A.N.	DATE	SEP. 1990
TRACED		SCALE	AS NOTED
CHECKED	J.W.G.		

FREES AND NICHOLS INC.
CONSULTING ENGINEERS
FORT WORTH - ARLINGTON - AUSTIN, TEXAS

NORTH TEXAS MUNICIPAL WATER DISTRICT
WYLIE - ROCKWALL - FARMERSVILLE PIPELINE

METER VAULT - MECHANICAL